



UM10147

P89LPC952/954 User manual

Rev. 02 — 28 April 2008

User manual

Document information

Info	Content
Keywords	P89LPC952, P89LPC954
Abstract	Technical information for the P89LPC952/954 devices.

Revision history

Rev	Date	Description
02	20080428	Added LQFP48 package information
01	20070917	Initial version

Contact information

For more information, please visit: <http://www.nxp.com>

For sales office addresses, please send an email to: salesaddresses@nxp.com

1. Introduction

1.1 Pin configuration

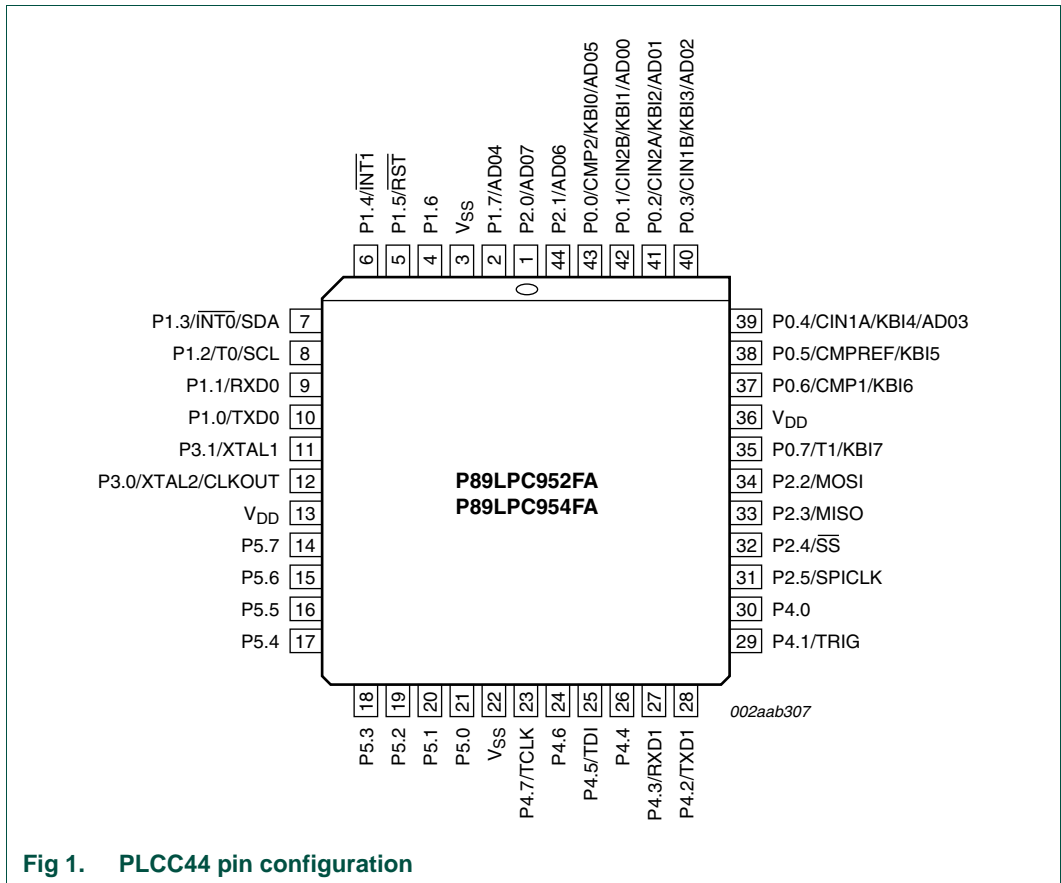


Fig 1. PLCC44 pin configuration

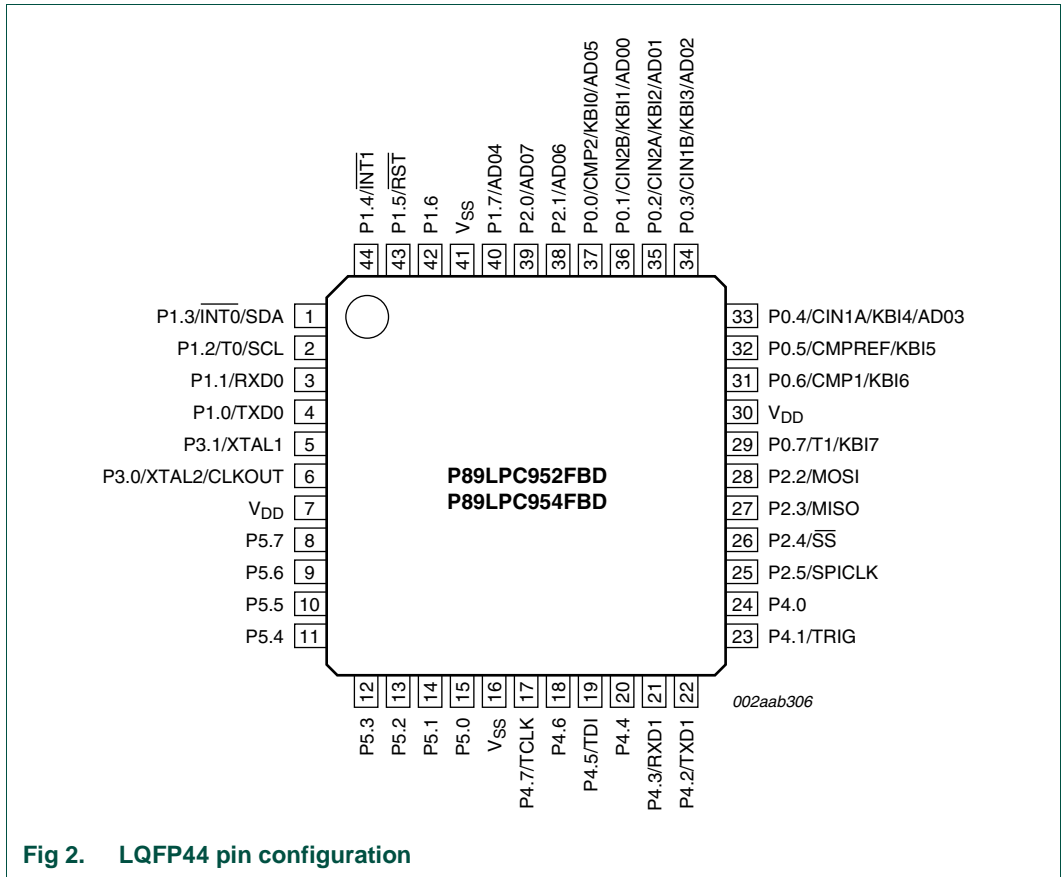


Fig 2. LQFP44 pin configuration

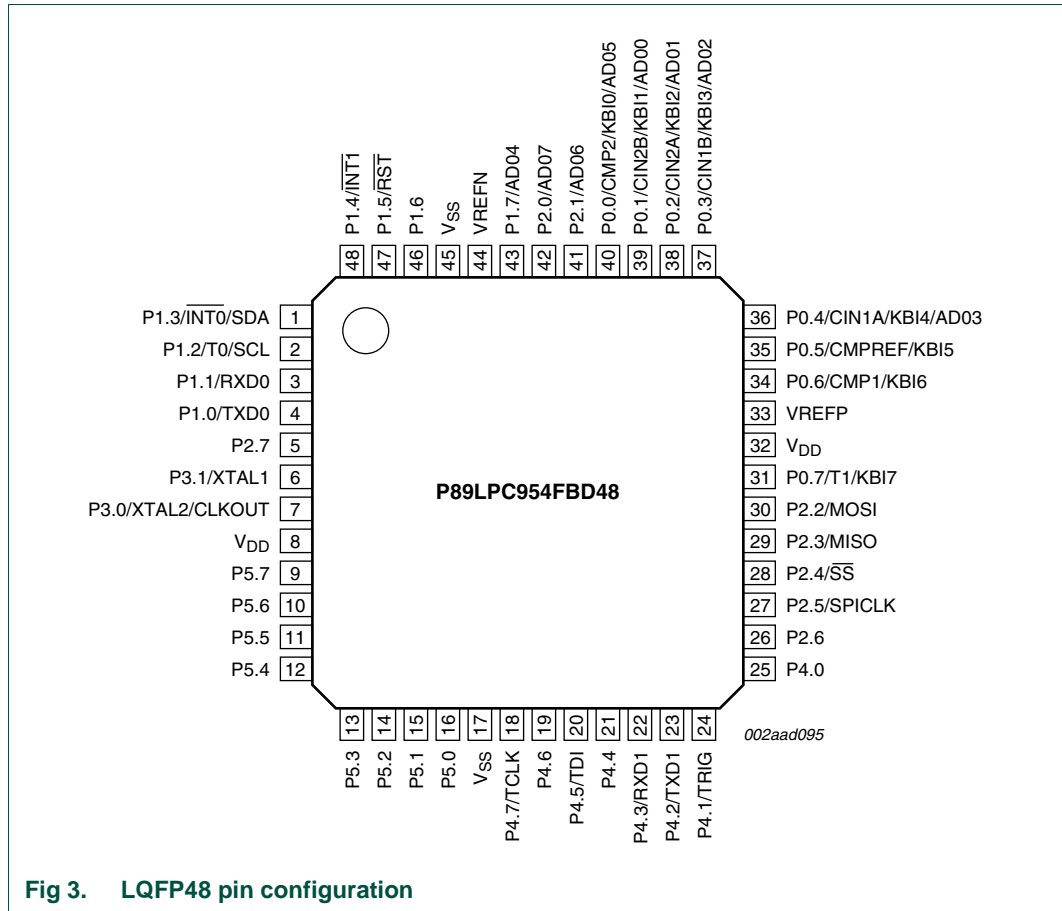


Fig 3. LQFP48 pin configuration

1.2 Pin description

Table 1. Pin description

Symbol	Pin			Type	Description
	LQFP48	PLCC44	LQFP44		
P0.0 to P0.7				I/O	<p>Port 0: Port 0 is an 8-bit I/O port with a user-configurable output type. During reset Port 0 latches are configured in the input only mode with the internal pull-up disabled. The operation of Port 0 pins as inputs and outputs depends upon the port configuration selected. Each port pin is configured independently. Refer to Section 5.1 "Port configurations".</p> <p>The Keypad Interrupt feature operates with Port 0 pins. All pins have Schmitt triggered inputs.</p> <p>Port 0 also provides various special functions as described below:</p>
P0.0/CMP2/ KBIO/AD05	40	43	37	I/O	<p>P0.0 — Port 0 bit 0.</p>
				O	<p>CMP2 — Comparator 2 output.</p>
				I	<p>KBIO — Keyboard input 0.</p>
				I	<p>AD05 — ADC0 channel 5 analog input.</p>

Table 1. Pin description ...continued

Symbol	Pin			Type	Description
	LQFP48	PLCC44	LQFP44		
P0.1/CIN2B/ KBI1/AD00	39	42	36	I/O	P0.1 — Port 0 bit 1.
				I	CIN2B — Comparator 2 positive input B.
				I	KBI1 — Keyboard input 1.
				I	AD00 — ADC0 channel 0 analog input.
P0.2/CIN2A/ KBI2/AD01	38	41	35	I/O	P0.2 — Port 0 bit 2.
				I	CIN2A — Comparator 2 positive input A.
				I	KBI2 — Keyboard input 2.
				I	AD01 — ADC0 channel 1 analog input.
P0.3/CIN1B/ KBI3/AD02	37	40	34	I/O	P0.3 — Port 0 bit 3.
				I	CIN1B — Comparator 1 positive input B.
				I	KBI3 — Keyboard input 3.
				I	AD02 — ADC0 channel 2 analog input.
P0.4/CIN1A/ KBI4/AD03	36	39	33	I/O	P0.4 — Port 0 bit 4.
				I	CIN1A — Comparator 1 positive input A.
				I	KBI4 — Keyboard input 4.
				I	AD03 — ADC0 channel 3 analog input.
P0.5/CMPREF/ KBI5	35	38	32	I/O	P0.5 — Port 0 bit 5.
				I	CMPREF — Comparator reference (negative) input.
				I	KBI5 — Keyboard input 5.
P0.6/CMP1/ KBI6	34	37	31	I/O	P0.6 — Port 0 bit 6.
				O	CMP1 — Comparator 1 output.
				I	KBI6 — Keyboard input 6.
P0.7/T1/KBI7	31	35	29	I/O	P0.7 — Port 0 bit 7.
				I/O	T1 — Timer/counter 1 external count input or overflow output.
				I	KBI7 — Keyboard input 7.
P1.0 to P1.7				I/O, I 1	<p>Port 1: Port 1 is an 8-bit I/O port with a user-configurable output type, except for three pins as noted below. During reset Port 1 latches are configured in the input only mode with the internal pull-up disabled. The operation of the configurable Port 1 pins as inputs and outputs depends upon the port configuration selected. Each of the configurable port pins are programmed independently. Refer to Section 5.1 "Port configurations". P1.2 to P1.3 are open drain when used as outputs. P1.5 is input only.</p> <p>All pins have Schmitt triggered inputs.</p> <p>Port 1 also provides various special functions as described below:</p>
P1.0/TXD0	4	10	4	I/O	P1.0 — Port 1 bit 0.
				O	TXD0 — Transmitter output for serial port 0.
P1.1/RXD0	3	9	3	I/O	P1.1 — Port 1 bit 1.
				I	RXD0 — Receiver input for serial port 0.

Table 1. Pin description ...continued

Symbol	Pin			Type	Description
	LQFP48	PLCC44	LQFP44		
P1.2/T0/SCL	2	8	2	I/O	P1.2 — Port 1 bit 2 (open-drain when used as output).
				I/O	T0 — Timer/counter 0 external count input or overflow output (open-drain when used as output).
				I/O	SCL — I ² C-bus serial clock input/output.
P1.3/ $\overline{\text{INT0}}$ /SDA	1	7	1	I/O	P1.3 — Port 1 bit 3 (open-drain when used as output).
				I	$\overline{\text{INT0}}$ — External interrupt 0 input.
				I/O	SDA — I ² C-bus serial data input/output.
P1.4/ $\overline{\text{INT1}}$	48	6	44	I/O	P1.4 — Port 1 bit 4.
				I	$\overline{\text{INT1}}$ — External interrupt 1 input.
P1.5/ $\overline{\text{RST}}$	47	5	43	I	P1.5 — Port 1 bit 5 (input only).
				I	RST — External Reset input during power-on or maybe a reset input/output if selected via UCFG1 and UCFG2. When functioning as a reset input or input/output, a LOW on this pin resets the microcontroller, causing I/O ports and peripherals to take on their default states, and the processor begins execution at address 0. When functioning as a reset output or input/output an internal reset source will drive this pin LOW. Also used during a power-on sequence to force ISP mode. When using an oscillator frequency above 12 MHz, the reset input function of P1.5 must be enabled. An external circuit is required to hold the device in reset at power-up until V_{DD} has reached its specified level. When system power is removed V_{DD} will fall below the minimum specified operating voltage. When using an oscillator frequency above 12 MHz, in some applications, an external brownout detect circuit may be required to hold the device in reset when V_{DD} falls below the minimum specified operating voltage.
P1.6	46	4	42	I/O	P1.6 — Port 1 bit 6.
P1.7/AD04	43	2	40	I/O	P1.7 — Port 1 bit 7.
				I	AD04 — ADC0 channel 4 analog input.
P2.0 to P2.5				I/O	Port 2: Port 2 is an 8-bit I/O port with a user-configurable output type. During reset Port 2 latches are configured in the input only mode with the internal pull-up disabled. The operation of Port 2 pins as inputs and outputs depends upon the port configuration selected. Each port pin is configured independently. Refer to Section 5.1 "Port configurations" . All pins have Schmitt triggered inputs. Port 2 also provides various special functions as described below:
P2.0/AD07	42	1	39	I/O	P2.0 — Port 2 bit 0.
				I	AD07 — ADC0 channel 7 analog input.
P2.1/AD06	41	44	38	I/O	P2.1 — Port 2 bit 1.
				I	AD06 — ADC0 channel 6 analog input.

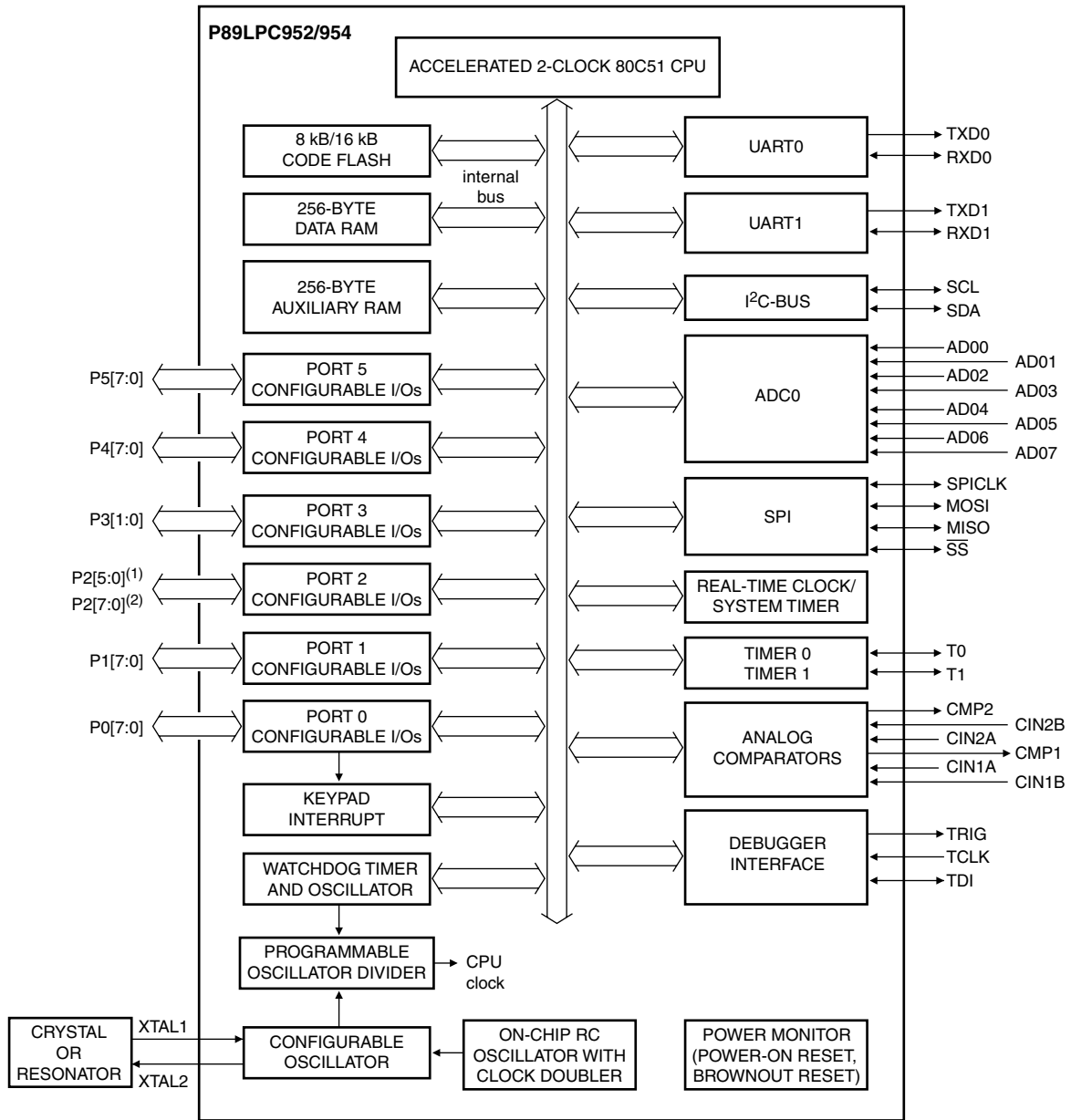
Table 1. Pin description ...continued

Symbol	Pin			Type	Description
	LQFP48	PLCC44	LQFP44		
P2.2/MOSI	30	34	28	I/O	P2.2 — Port 2 bit 2.
				I/O	MOSI — SPI master out slave in. When configured as master, this pin is output; when configured as slave, this pin is input.
P2.3/MISO	29	33	27	I/O	P2.3 — Port 2 bit 3.
				I/O	MISO — When configured as master, this pin is input, when configured as slave, this pin is output.
P2.4/ \overline{SS}	28	32	26	I/O	P2.4 — Port 2 bit 4.
				I/O	\overline{SS} — SPI Slave select.
P2.5/SPICLK	27	31	25	I/O	P2.5 — Port 2 bit 5.
				I/O	SPICLK — SPI clock. When configured as master, this pin is output; when configured as slave, this pin is input.
P2.6	26	-	-	I/O	P2.6 — Port 2 bit 6.
P2.7	5	-	-	I/O	P2.7 — Port 2 bit 7.
P3.0 to P3.1				I/O	<p>Port 3: Port 3 is a 2-bit I/O port with a user-configurable output type. During reset Port 3 latches are configured in the input only mode with the internal pull-up disabled. The operation of Port 3 pins as inputs and outputs depends upon the port configuration selected. Each port pin is configured independently. Refer to Section 5.1 “Port configurations”.</p> <p>All pins have Schmitt triggered inputs.</p> <p>Port 3 also provides various special functions as described below:</p>
P3.0/XTAL2/ CLKOUT	7	12	6	I/O	P3.0 — Port 3 bit 0.
				O	XTAL2 — Output from the oscillator amplifier (when a crystal oscillator option is selected via the flash configuration).
				O	CLKOUT — CPU clock divided by 2 when enabled via SFR bit (ENCLK -TRIM.6). It can be used if the CPU clock is the internal RC oscillator, watchdog oscillator or external clock input, except when XTAL1/XTAL2 are used to generate clock source for the RTC/system timer.
P3.1/XTAL1	6	11	5	I/O	P3.1 — Port 3 bit 1.
				I	XTAL1 — Input to the oscillator circuit and internal clock generator circuits (when selected via the flash configuration). It can be a port pin if internal RC oscillator or watchdog oscillator is used as the CPU clock source, and if XTAL1/XTAL2 are not used to generate the clock for the RTC/system timer.
P4.0 to P4.7				I/O	<p>Port 4: Port 4 is an 8-bit I/O port with a user-configurable output type. During reset Port 4 latches are configured in the input only mode with the internal pull-up disabled. The operation of Port 4 pins as inputs and outputs depends upon the port configuration selected. Each port pin is configured independently. Refer to Section 5.1 “Port configurations”.</p> <p>All pins have Schmitt triggered inputs.</p> <p>Port 4 also provides various special functions as described below:</p>

Table 1. Pin description ...continued

Symbol	Pin			Type	Description
	LQFP48	PLCC44	LQFP44		
P4.0	25	30	24	I/O	P4.0 — Port 4 bit 0.
P4.1/TRIG	24	29	23	I/O	P4.1 — Port 4 bit 1.
				O	TRIG — Debugger trigger output.
P4.2/TXD1	23	28	22	I/O	P4.2 — Port 4 bit 2.
				O	TXD1 — Transmitter output for serial port 1.
P4.3/RXD1	22	27	21	I/O	P4.3 — Port 4 bit 3.
				I	RXD1 — Receiver input for serial port 1.
P4.4	21	26	20	I/O	P4.4 — Port 4 bit 4.
P4.5/TDI	20	25	19	I/O	P4.5 — Port 4 bit 5.
				I/O	TDI — Serial data input/output for debugger interface.
P4.6	19	24	18	I/O	P4.6 — Port 4 bit 6.
P4.7/TCLK	18	23	17	I/O	P4.7 — Port 4 bit 7.
				I	TCLK — Serial clock input for debugger interface.
P5.0 to P5.7				I/O	<p>Port 5: Port 5 is an 8-bit I/O port with a user-configurable output type. During reset Port 5 latches are configured in the input only mode with the internal pull-up disabled. The operation of Port 5 pins as inputs and outputs depends upon the port configuration selected. Each port pin is configured independently. Refer to Section 5.1 "Port configurations".</p> <p>All pins have Schmitt triggered inputs.</p> <p>Port 5 also provides various special functions as described below:</p>
P5.0	16	21	15	I/O	P5.0 — Port 5 bit 0. High current output.
P5.1	15	20	14	I/O	P5.1 — Port 5 bit 1. High current output.
P5.2	14	19	13	I/O	P5.2 — Port 5 bit 2. High current output.
P5.3	13	18	12	I/O	P5.3 — Port 5 bit 3. High current output.
P5.4	12	17	11	I/O	P5.4 — Port 5 bit 4. High current output.
P5.5	11	16	10	I/O	P5.5 — Port 5 bit 5. High current output.
P5.6	10	15	9	I/O	P5.6 — Port 5 bit 6. High current output.
P5.7	9	14	8	I/O	P5.7 — Port 5 bit 7. High current output.
V _{SS}	17, 45	3, 22	16, 41	I	Ground: 0 V reference.
VREFN	44	-	-		negative ADC reference voltage
V _{DD}	8, 32	13, 36	7, 30	I	Power supply: This is the power supply voltage for normal operation as well as Idle and Power-down modes.
VREFP	33	-	-		positive ADC reference voltage

[1] Input/output for P1.0 to P1.4, P1.6, P1.7. Input for P1.5.



- (1) 44-pin package.
- (2) 48-pin package.

Fig 4. Block diagram

1.3 Special function registers

Remark: SFR accesses are restricted in the following ways:

- User must **not** attempt to access any SFR locations not defined.
- Accesses to any defined SFR locations must be strictly for the functions for the SFRs.
- SFR bits labeled '-', '0' or '1' can **only** be written and read as follows:
 - '-' Unless otherwise specified, **must** be written with '0', but can return any value when read (even if it was written with '0'). It is a reserved bit and may be used in future derivatives.
 - '0' **must** be written with '0', and will return a '0' when read.
 - '1' **must** be written with '1', and will return a '1' when read.

Table 2. Special function registers
 * indicates SFRs that are bit addressable.

Name	Description	SFR addr.	Bit functions and addresses								Reset value	
			MSB				LSB				Hex	Binary
	Bit address		E7	E6	E5	E4	E3	E2	E1	E0		
ACC*	Accumulator	E0H									00	0000 0000
AD0CON	ADC0 control register	97H	ENBI0	ENADC10	TMM0	EDGE0	ADCI0	ENADC0	ADCS01	ADCS00	00	0000 0000
AD0INS	ADC0 input select	A3H	ADI07	ADI06	ADI05	ADI04	ADI03	ADI02	ADI01	ADI00	00	0000 0000
AD0MODA	ADC0 mode register A	C0H	BNDI0	BURST0	SCC0	SCAN0	-	-	-	-	00	0000 0000
AD0MODB	ADC0 mode register B	A1H	CLK2	CLK1	CLK0	-	-	-	-	-	00	000x 0000
AUXR1	Auxiliary function register	A2H	CLKLP	EBRR	ENT1	ENT0	SRST	0	-	DPS	00	0000 00x0
	Bit address		F7	F6	F5	F4	F3	F2	F1	F0		
B*	B register	F0H									00	0000 0000
BRGR0_0	Baud rate generator 0 rate low	BEH									00	0000 0000
BRGR1_0	Baud rate generator 0 rate high	BFH									00	0000 0000
BRGCON_0	Baud rate generator 0 control	BDH	-	-	-	-	-	-	SBRGS_0	BRGEN_0	00 ^[2]	xxxx xx00
CMP1	Comparator 1 control register	ACH	-	-	CE1	CP1	CN1	OE1	CO1	CMF1	00 ^[1]	xx00 0000
CMP2	Comparator 2 control register	ADH	-	-	CE2	CP2	CN2	OE2	CO2	CMF2	00 ^[1]	xx00 0000
DIVM	CPU clock divide-by-M control	95H									00	0000 0000
DPTR	Data pointer (2 bytes)											

Table 2. Special function registers ...continued

* indicates SFRs that are bit addressable.

Name	Description	SFR addr.	Bit functions and addresses								Reset value		
			MSB								LSB	Hex	Binary
DPH	Data pointer high	83H										00	0000 0000
DPL	Data pointer low	82H										00	0000 0000
FMADRH	Program flash address high	E7H										00	0000 0000
FMADRL	Program flash address low	E6H										00	0000 0000
FMCON	Program flash control (Read)	E4H	BUSY	-	-	-	HVA	HVE	SV	OI	70	0111 0000	
	Program flash control (Write)	E4H	FMCMD.7	FMCMD.6	FMCMD.5	FMCMD.4	FMCMD.3	FMCMD.2	FMCMD.1	FMCMD.0			
FMDATA	Program flash data	E5H										00	0000 0000
I2ADR	I ² C-bus slave address register	DBH	I2ADR.6	I2ADR.5	I2ADR.4	I2ADR.3	I2ADR.2	I2ADR.1	I2ADR.0	GC	00	0000 0000	
	Bit address		DF	DE	DD	DC	DB	DA	D9	D8			
I2CON*	I ² C-bus control register	D8H	-	I2EN	STA	STO	SI	AA	-	CRSEL	00	x000 00x0	
I2DAT	I ² C-bus data register	DAH											
I2SCLH	Serial clock generator/SCL duty cycle register high	DDH										00	0000 0000
I2SCLL	Serial clock generator/SCL duty cycle register low	DCH										00	0000 0000
I2STAT	I ² C-bus status register	D9H	STA.4	STA.3	STA.2	STA.1	STA.0	0	0	0	F8	1111 1000	
	Bit address		AF	AE	AD	AC	AB	AA	A9	A8			

Table 2. Special function registers ...continued

* indicates SFRs that are bit addressable.

Name	Description	SFR addr.	Bit functions and addresses								Reset value	
			MSB								LSB	
IEN0*	Interrupt enable 0	A8H	EA	EWDRT	EBO	ES/ESR	ET1	EX1	ET0	EX0	00	0000 0000
	Bit address		EF	EE	ED	EC	EB	EA	E9	E8		
IEN1*	Interrupt enable 1	E8H	-	EST	-	-	ESPI	EC	EKBI	EI2C	00 <u>[1]</u>	00x0 0000
IEN2	Interrupt enable 2	D5H	-	-	-	-	EST1	ES1/ESR1	EADC	-	00 <u>[1]</u>	00x0 0000
	Bit address		BF	BE	BD	BC	BB	BA	B9	B8		
IP0*	Interrupt priority 0	B8H	-	PWDRT	PBO	PS/PSR	PT1	PX1	PT0	PX0	00 <u>[1]</u>	x000 0000
IP0H	Interrupt priority 0 high	B7H	-	PWDRTH	PBOH	PSH/PSRH	PT1H	PX1H	PT0H	PX0H	00 <u>[1]</u>	x000 0000
	Bit address		FF	FE	FD	FC	FB	FA	F9	F8		
IP1*	Interrupt priority 1	F8H	-	PST	-	-	PSPI	PC	PKBI	PI2C	00 <u>[1]</u>	00x0 0000
IP1H	Interrupt priority 1 high	F7H	-	PSTH	-	-	PSPIH	PCH	PKBIH	PI2CH	00 <u>[1]</u>	00x0 0000
IP2	Interrupt priority 2	D6H	-	-	-	-	PEST1	PES1/PESR1	PADC	-	00 <u>[1]</u>	00x0 0000
IP2H	Interrupt priority 2 high	D7H	-	-	-	-	PEST1H	PES1H/PESR1H	PADCH	-	00 <u>[1]</u>	00x0 0000
KBCON	Keypad control register	94H	-	-	-	-	-	-	PATN_SEL	KBIF	00 <u>[1]</u>	xxxx xx00
KBMASK	Keypad interrupt mask register	86H									00	0000 0000
KBPATN	Keypad pattern register	93H									FF	1111 1111
	Bit address		87	86	85	84	83	82	81	80		
P0*	Port 0	80H	T1/KB7	CMP1/KB6	CMPREF/KB5	CIN1A/KB4	CIN1B/KB3	CIN2A/KB2	CIN2B/KB1	CMP2/KB0	<u>[1]</u>	
	Bit address		97	96	95	94	93	92	91	90		
P1*	Port 1	90H	-	-	RST	INT1	INT0/SDA	T0/SCL	RXD0	TXD0	<u>[1]</u>	

Table 2. Special function registers ...continued
 * indicates SFRs that are bit addressable.

Name	Description	SFR addr.	Bit functions and addresses								Reset value	
			MSB				LSB				Hex	Binary
	Bit address		97	96	95	94	93	92	91	90		
P2*	Port 2	A0H	-	-	SPICLK	\overline{SS}	MISO	MOSI	-	-	[1]	
	Bit address		B7	B6	B5	B4	B3	B2	B1	B0		
P3*	Port 3	B0H	-	-	-	-	-	-	XTAL1	XTAL2	[1]	
P4	Port 4	B3H	-	TMS	-	-	RXD1	TXD1	TRIG	T3EX	[1]	
P5	Port 5	B4H	T3	-	-	-	-	-	-	-	[1]	
P0M1	Port 0 output mode 1	84H	(P0M1.7)	(P0M1.6)	(P0M1.5)	(P0M1.4)	(P0M1.3)	(P0M1.2)	(P0M1.1)	(P0M1.0)	FF[1]	1111 1111
P0M2	Port 0 output mode 2	85H	(P0M2.7)	(P0M2.6)	(P0M2.5)	(P0M2.4)	(P0M2.3)	(P0M2.2)	(P0M2.1)	(P0M2.0)	00[1]	0000 0000
P1M1	Port 1 output mode 1	91H	(P1M1.7)	(P1M1.6)	-	(P1M1.4)	(P1M1.3)	(P1M1.2)	(P1M1.1)	(P1M1.0)	D3[1]	11x1 xx11
P1M2	Port 1 output mode 2	92H	(P1M2.7)	(P1M2.6)	-	(P1M2.4)	(P1M2.3)	(P1M2.2)	(P1M2.1)	(P1M2.0)	00[1]	00x0 xx00
P2M1	Port 2 output mode 1	A4H	-	-	(P2M1.5)	(P2M1.4)	(P2M1.3)	(P2M1.2)	(P2M1.1)	(P2M1.0)	FF[1]	1111 1111
P2M2	Port 2 output mode 2	A5H	-	-	(P2M2.5)	(P2M2.4)	(P2M2.3)	(P2M2.2)	(P2M2.1)	(P2M2.0)	00[1]	0000 0000
P3M1	Port 3 output mode 1	B1H	-	-	-	-	-	-	(P3M1.1)	(P3M1.0)	03	xxxx xx11
P3M2	Port 3 output mode 2	B2H	-	-	-	-	-	-	(P3M2.1)	(P3M2.0)	00[1]	xxxx xx00
PCON	Power control register	87H	SMOD1	SMOD0	BOPD	BOI	GF1	GF0	PMOD1	PMOD0	00	0000 0000
PCONA	Power control register A	B5H	RTCPD	-	VCPD	ADPD	I2PD	SPPD	SPD	-	00[1]	0000 0000
	Bit address		D7	D6	D5	D4	D3	D2	D1	D0		
PSW*	Program status word	D0H	CY	AC	F0	RS1	RS0	OV	F1	P	00	0000 0000
PT0AD	Port 0 digital input disable	F6H	-	-	PT0AD.5	PT0AD.4	PT0AD.3	PT0AD.2	PT0AD.1	-	00	xx00 000x
RSTSRC	Reset source register	DFH	-	-	BOF	POF	R_BK	R_WD	R_SF	R_EX	[3]	

Table 2. Special function registers ...continued
 * indicates SFRs that are bit addressable.

Name	Description	SFR addr.	Bit functions and addresses								Reset value	
			MSB					LSB			Hex	Binary
RTCCON	RTC control	D1H	RTCF	RTCS1	RTCS0	-	-	-	ERTC	RTCEN	60 ^[1] ^[6]	011x xx00
RTCH	RTC register high	D2H									00 ^[6]	0000 0000
RTCL	RTC register low	D3H									00 ^[6]	0000 0000
S0ADDR	Serial port address register	A9H									00	0000 0000
S0ADEN	Serial port address enable	B9H									00	0000 0000
S0BUF	Serial Port data buffer register	99H									xx	xxxx xxxx
			Bit address	9F	9E	9D	9C	9B	9A	99	98	
S0CON*	Serial port control	98H	SM0_0/FE_0	SM1_00	SM2_0	REN_0	TB8_0	RB8_0	TI_0	RI_0	00	0000 0000
S0STAT	Serial port extended status register	BAH	DBMOD_0	INTLO_0	CIDIS_0	DBISEL_0	FE_0	BR_0	OE_0	STINT_0	00	0000 0000
SP	Stack pointer	81H									07	0000 0111
SPCTL	SPI control register	E2H	SSIG	SPEN	DORD	MSTR	CPOL	CPHA	SPR1	SPR0	04	0000 0100
SPSTAT	SPI status register	E1H	SPIF	WCOL	-	-	-	-	-	-	00	00xx xxxx
SPDAT	SPI data register	E3H									00	0000 0000
S1CON	Serial port 1 control	B6H	SM0_1/FE_1	SM1_1	SM2_1	REN_1	TB8_1	RB8_1	TI_1	RI_1	00	0000 0000
S1STAT	Serial port 1 extended status register	D4H	DBMOD_1	INTLO_1	CIDIS_1	DBISEL_1	FE_1	BR_1	OE_1	STINT_1	00	0000 0000
TAMOD	Timer 0 and 1 auxiliary mode	8FH	-	-	-	T1M2	-	-	-	T0M2	00	xxx0 xxx0
			Bit address	8F	8E	8D	8C	8B	8A	89	88	

Table 2. Special function registers ...continued

* indicates SFRs that are bit addressable.

Name	Description	SFR addr.	Bit functions and addresses								Reset value	
			MSB				LSB				Hex	Binary
TCON*	Timer 0 and 1 control	88H	TF1	TR1	TF0	TR0	IE1	IT1	IE0	IT0	00	0000 0000
TH0	Timer 0 high	8CH									00	0000 0000
TH1	Timer 1 high	8DH									00	0000 0000
TL0	Timer 0 low	8AH									00	0000 0000
TL1	Timer 1 low	8BH									00	0000 0000
TMOD	Timer 0 and 1 mode	89H	T1GATE	T1C/T	T1M1	T1M0	T0GATE	T0C/T	T0M1	T0M0	00	0000 0000
TRIM	Internal oscillator trim register	96H	RCCLK	ENCLK	TRIM.5	TRIM.4	TRIM.3	TRIM.2	TRIM.1	TRIM.0	[5] [6]	
WDCON	Watchdog control register	A7H	PRE2	PRE1	PRE0	-	-	WDRUN	WDTOF	WDCLK	[4] [6]	
WDL	Watchdog load	C1H									FF	1111 1111
WFEED1	Watchdog feed 1	C2H										
WFEED2	Watchdog feed 2	C3H										

- [1] All ports are in input only (high-impedance) state after power-up.
- [2] BRGR1_0 and BRGR0_0 must only be written if BRGEN_0 in BRGCON_0 SFR is logic 0. If any are written while BRGEN_0 = 1, the result is unpredictable.
- [3] The RSTSRC register reflects the cause of the UM10147 reset. Upon a power-up reset, all reset source flags are cleared except POF and BOF; the power-on reset value is xx11 0000.
- [4] After reset, the value is 1110 01x1, i.e., PRE2 to PRE0 are all logic 1, WDRUN = 1 and WDCLK = 1. WDTOF bit is logic 1 after watchdog reset and is logic 0 after power-on reset. Other resets will not affect WDTOF.
- [5] On power-on reset, the TRIM SFR is initialized with a factory preprogrammed value. Other resets will not cause initialization of the TRIM register.
- [6] The only reset source that affects these SFRs is power-on reset.

Table 3. Extended special function registers

Name	Description	SFR addr.	Bit functions and addresses		Reset value	
			MSB	LSB	Hex	Binary
ADC0HBND	ADC0 high_boundary register, left (MSB)	FFEFH			FF	1111 1111
ADC0LBND	ADC0 low_boundary register (MSB)	FFEEH			00	0000 0000
AD0DAT0R	ADC0 data register 0, right (LSB)	FFFEH		AD0DAT0[7:0]	00	0000 0000
AD0DAT0L	ADC0 data register 0, left (MSB)	FFFFH		AD0DAT0[9:2]	00	0000 0000
AD0DAT1R	ADC0 data register 1, right (LSB)	FFFCH		AD0DAT1[7:0]	00	0000 0000
AD0DAT1L	ADC0 data register 1, left (MSB)	FFFDH		AD0DAT1[9:2]	00	0000 0000
AD0DAT2R	ADC0 data register 2, right (LSB)	FFFAH		AD0DAT2[7:0]	00	0000 0000
AD0DAT2L	ADC0 data register 2, left (MSB)	FFFBH		AD0DAT2[9:2]	00	0000 0000
AD0DAT3R	ADC0 data register 3, right (LSB)	FFF8H		AD0DAT3[7:0]	00	0000 0000
AD0DAT3L	ADC0 data register 3, left (MSB)	FFF9H		AD0DAT3[9:2]	00	0000 0000
AD0DAT4R	ADC0 data register 4, right (LSB)	FFF6H		AD0DAT4[7:0]	00	0000 0000
AD0DAT4L	ADC0 data register 4, left (MSB)	FFF7H		AD0DAT4[9:2]	00	0000 0000
AD0DAT5R	ADC0 data register 5, right (LSB)	FFF4H		AD0DAT5[7:0]	00	0000 0000
AD0DAT5L	ADC0 data register 5, left (MSB)	FFF5H		AD0DAT5[9:2]	00	0000 0000
AD0DAT6R	ADC0 data register 6, right (LSB)	FFF2H		AD0DAT6[7:0]	00	0000 0000
AD0DAT6L	ADC0 data register 6, left (MSB)	FFF3H		AD0DAT6[9:2]	00	0000 0000
AD0DAT7R	ADC0 data register 7, right (LSB)	FFF0H		AD0DAT7[7:0]		

Table 3. Extended special function registers ...continued

Name	Description	SFR addr.	Bit functions and addresses								Reset value	
			MSB				LSB				Hex	Binary
AD0DAT7L	ADC0 data register 7, left (MSB)	FFF1H	AD0DAT7[9:2]									
BNDSTA0	ADC0 boundary status register	FFEDH										
BRGCON_1	Baud rate generator 1 control	FFB3H	-	-	-	-	-	-	SBRGS_1	BRGEN_1	00[2]	xxxx xx00
BRG0_1	Baud rate generator 1 rate low	FFB4H										
BRG1_1	Baud rate generator 1 rate high	FFB5H										
FREEZE	Peripheral clock freeze	FFD0H	-	-	-	RTC_F	-	WDT_F	T1_F	T0_F	00	xxx0 0000
P4M1	Port 4 output mode 1	FFB8H	(P4M1.7)	(P4M1.6)	(P4M1.5)	(P4M1.4)	(P4M1.3)	(P4M1.2)	(P4M1.1)	(P4M1.0)	FF[1]	1111 1111
P4M2	Port 4 output mode 2	FFB9H	(P4M2.7)	(P4M2.6)	(P4M2.5)	(P4M2.4)	(P4M2.3)	(P4M2.2)	(P4M2.1)	(P4M2.0)	00[1]	0000 0000
P5M1	Port 5 output mode 1	FFBAH	(P5M1.7)	(P5M1.6)	(P5M1.5)	(P5M1.4)	(P5M1.3)	(P5M1.2)	(P5M1.1)	(P5M1.0)	FF[1]	1111 1111
P5M2	Port 5 output mode 3	FFBBH	(P5M2.7)	(P5M2.6)	(P5M2.5)	(P5M2.4)	(P5M2.3)	(P5M2.2)	(P5M2.1)	(P5M2.0)	00[1]	0000 0000
S1ADDR	Serial port 1 address register	FFB2H									00	0000 0000
S1ADEN	Serial port 1 address enable	FFB1H									00	0000 0000
S1BUF	Serial port 1 data buffer register	FFB0H									xx	xxxx xxxx

[1] Extended SFRs are physically located on-chip but logically located in external data memory address space (XDATA). The MOVX A,@DPTR and MOVX @DPTR,A instructions are used to access these extended SFRs.

[2] BRGR1_1 and BRGR0_1 must only be written if BRGEN_1 in BRGCON_1 SFR is logic 0. If any are written while BRGEN_1 = 1, the result is unpredictable.

1.4 Memory organization

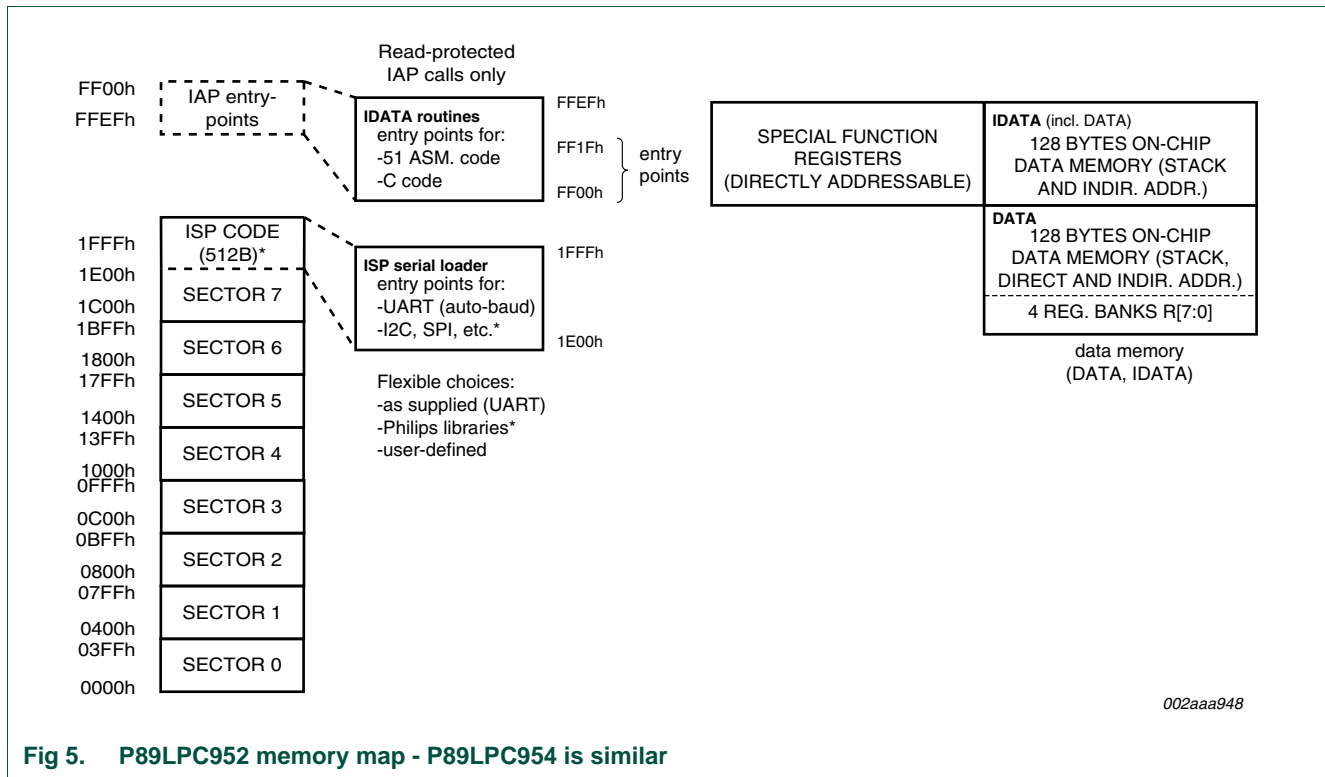


Fig 5. P89LPC952 memory map - P89LPC954 is similar

The various P89LPC952/954 memory spaces are as follows:

DATA — 128 bytes of internal data memory space (00h:7Fh) accessed via direct or indirect addressing, using instruction other than MOVX and MOVC. All or part of the Stack may be in this area.

IDATA — Indirect Data. 256 bytes of internal data memory space (00h:FFh) accessed via indirect addressing using instructions other than MOVX and MOVC. All or part of the Stack may be in this area. This area includes the DATA area and the 128 bytes immediately above it.

SFR — Special Function Registers. Selected CPU registers and peripheral control and status registers, accessible only via direct addressing.

XDATA — ‘External’ Data or Auxiliary RAM. Duplicates the classic 80C51 64 kB memory space addressed via the MOVX instruction using the DPTR, R0, or R1. All or part of this space could be implemented on-chip. The P89LPC952/954 has 256 bytes of on-chip XDATA memory.

CODE — 64 kB of Code memory space, accessed as part of program execution and via the MOVC instruction. The P89LPC952/954 has 8 kB/ 16 kB of on-chip Code memory.

Table 4. Data RAM arrangement

Type	Data RAM	Size (bytes)
DATA	Directly and indirectly addressable memory	128
IDATA	Indirectly addressable memory	256
XDATA	Indirectly addressable using MOVX, MOVC, DPTR, R0, R1	256

The P89LPC952/954 is a single-chip microcontroller designed for applications demanding high-integration, low cost solutions over a wide range of performance requirements. The P89LPC952/954 is based on a high performance processor architecture that executes instructions in two to four clocks, six times the rate of standard 80C51 devices. Many system-level functions have been incorporated into the P89LPC952/954 in order to reduce component count, board space, and system cost

2. Clocks

2.1 Enhanced CPU

The P89LPC952/954 uses an enhanced 80C51 CPU which runs at six times the speed of standard 80C51 devices. A machine cycle consists of two CPU clock cycles, and most instructions execute in one or two machine cycles.

2.2 Clock definitions

The P89LPC952/954 device has several internal clocks as defined below:

OSCCLK — Input to the DIVM clock divider. OSCCLK is selected from one of four clock sources and can also be optionally divided to a slower frequency (see [Figure 6](#) and [Section 2.8 “CPU Clock \(CCLK\) modification: DIVM register”](#)). **Note:** f_{osc} is defined as the OSCCLK frequency.

CCLK — CPU clock; output of the DIVM clock divider. There are two CCLK cycles per machine cycle, and most instructions are executed in one to two machine cycles (two or four CCLK cycles).

RCCLK — The internal 7.373 MHz RC oscillator output.

PCLK — Clock for the various peripheral devices and is $CCLK/2$.

2.2.1 Oscillator Clock (OSCCLK)

The P89LPC952/954 provides several user-selectable oscillator options. This allows optimization for a range of needs from high precision to lowest possible cost. These options are configured when the FLASH is programmed and include an on-chip watchdog oscillator, an on-chip RC oscillator, an oscillator using an external crystal, or an external clock source. The crystal oscillator can be optimized for low, medium, or high frequency crystals covering a range from 20 kHz to 18 MHz.

2.2.2 Low speed oscillator option

This option supports an external crystal in the range of 20 kHz to 100 kHz. Ceramic resonators are also supported in this configuration.

2.2.3 Medium speed oscillator option

This option supports an external crystal in the range of 100 kHz to 4 MHz. Ceramic resonators are also supported in this configuration.

2.2.4 High speed oscillator option

This option supports an external crystal in the range of 4 MHz to 18 MHz. Ceramic resonators are also supported in this configuration. **When using a clock frequency above 12 MHz, the reset input function of P1.5 must be enabled. An external circuit is required to hold the device in reset at power-up until V_{DD} has reached its specified level. When system power is removed V_{DD} will fall below the minimum specified operating voltage. When using a clock frequency above 12 MHz, in some applications, an external brownout detect circuit may be required to hold the device in reset when V_{DD} falls below the minimum specified operating voltage. These requirements for clock frequencies above 12 MHz do not apply when using the internal RC oscillator in clock doubler mode.**

2.3 Clock output

The P89LPC952/954 supports a user-selectable clock output function on the XTAL2 / CLKOUT pin when the crystal oscillator is not being used. This condition occurs if a different clock source has been selected (on-chip RC oscillator, watchdog oscillator, external clock input on X1) and if the Real-time Clock is not using the crystal oscillator as its clock source. This allows external devices to synchronize to the P89LPC952/954. This output is enabled by the ENCLK bit in the TRIM register

The frequency of this clock output is $\frac{1}{2}$ that of the CCLK. If the clock output is not needed in Idle mode, it may be turned off prior to entering Idle, saving additional power. Note: on reset, the TRIM SFR is initialized with a factory preprogrammed value. Therefore when setting or clearing the ENCLK bit, the user should retain the contents of other bits of the TRIM register. This can be done by reading the contents of the TRIM register (into the ACC for example), modifying bit 6, and writing this result back into the TRIM register. Alternatively, the 'ANL direct' or 'ORL direct' instructions can be used to clear or set bit 6 of the TRIM register.

2.4 On-chip RC oscillator option

The P89LPC952 has a 6-bit TRIM register that can be used to tune the frequency of the RC oscillator. During reset, the TRIM value is initialized to a factory pre-programmed value to adjust the oscillator frequency to 7.373 MHz \pm 1 % at room temperature. (Note: the initial value is better than 1 %; please refer to the *P89LPC952/954 data sheet* for behavior over temperature). End user applications can write to the TRIM register to adjust the on-chip RC oscillator to other frequencies. Increasing the TRIM value will decrease the oscillator frequency. When the clock doubler option is enabled (UCFG1.3 = 1), the output frequency is doubled. If CCLK is 8 MHz or slower, the CLKLP SFR bit (AUXR1.7) can be set to logic 1 to reduce power consumption. On reset, CLKLP is logic 0 allowing highest performance access. This bit can then be set in software if CCLK is running at 8 MHz or slower.

The requirements in [Section 2.2.4 "High speed oscillator option"](#) for configuring P1.5 as an external reset input and using an external reset circuit when the clock frequency is greater than 12 MHz do **not** apply when using the internal RC oscillator's clock doubler option.

Table 5. On-chip RC oscillator trim register (TRIM - address 96h) bit allocation

Bit	7	6	5	4	3	2	1	0
Symbol	RCCLK	ENCLK	TRIM.5	TRIM.4	TRIM.3	TRIM.2	TRIM.1	TRIM.0
Reset	0	0	Bits 5:0 loaded with factory stored value during reset.					

Table 6. On-chip RC oscillator trim register (TRIM - address 96h) bit description

Bit	Symbol	Description
0	TRIM.0	Trim value. Determines the frequency of the internal RC oscillator. During reset, these bits are loaded with a stored factory calibration value. When writing to either bit 6 or bit 7 of this register, care should be taken to preserve the current TRIM value by reading this register, modifying bits 6 or 7 as required, and writing the result to this register.
1	TRIM.1	
2	TRIM.2	
3	TRIM.3	
4	TRIM.4	
5	TRIM.5	
6	ENCLK	when = 1, $CCLK_{\frac{1}{2}}$ is output on the XTAL2 pin provided the crystal oscillator is not being used.
7	RCCLK	when = 1, selects the RC Oscillator output as the CPU clock (CCLK). This allows for fast switching between any clock source and the internal RC oscillator without needing to go through a reset cycle.

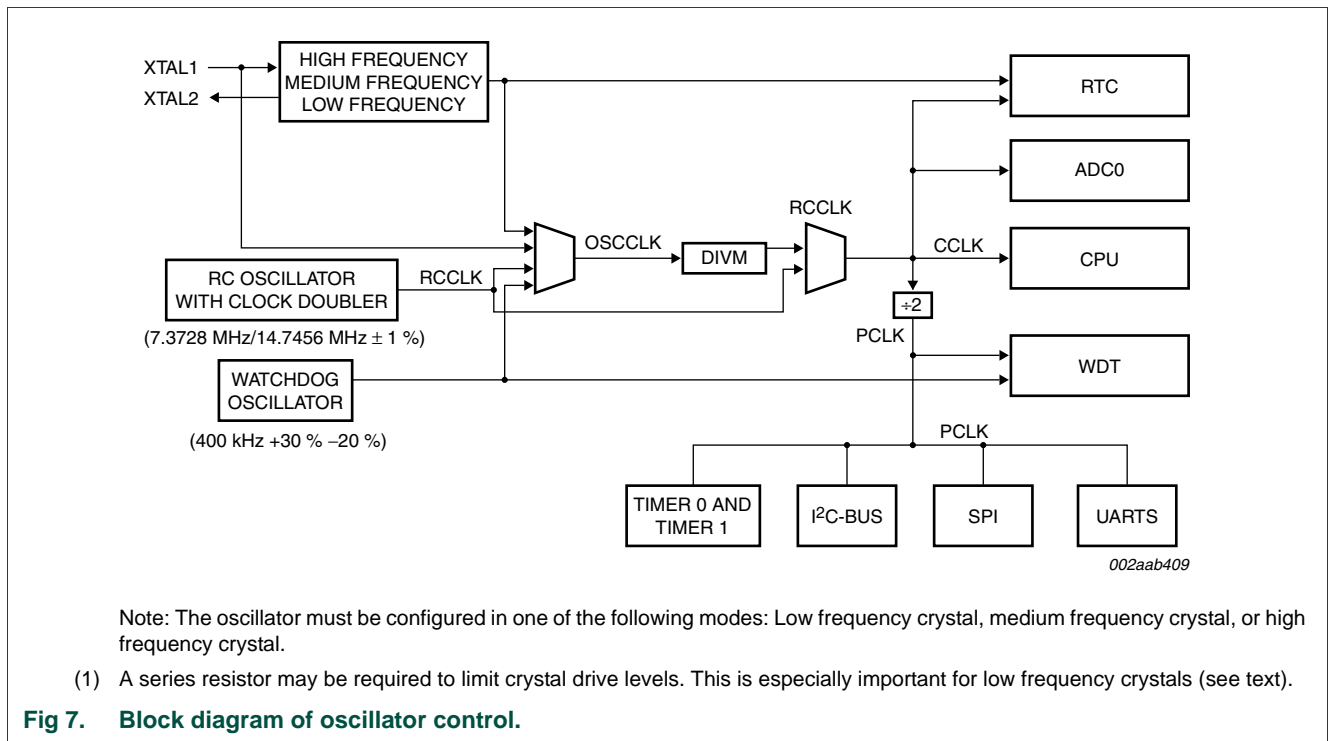
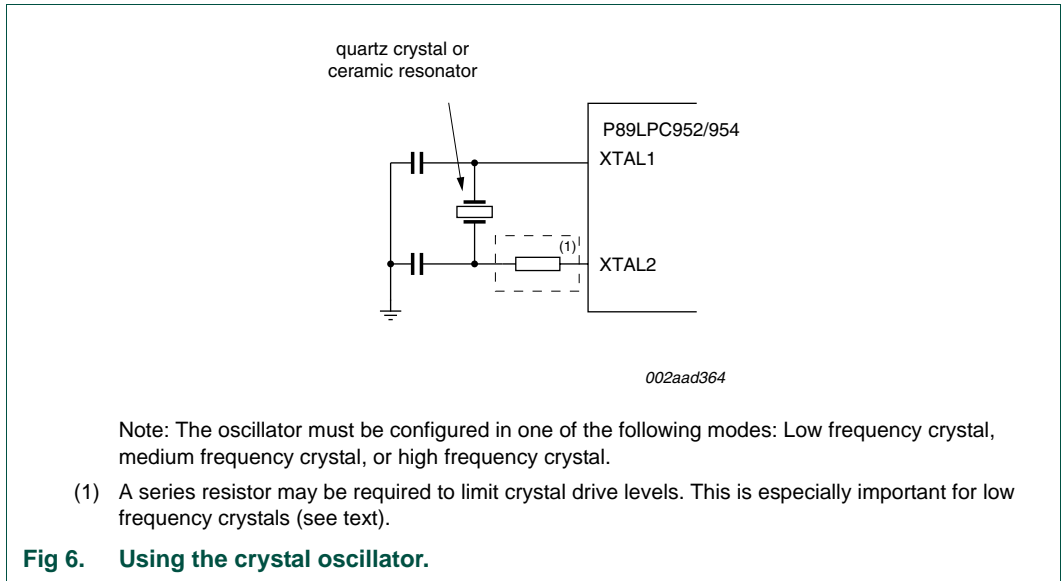
2.5 Watchdog oscillator option

The watchdog has a separate oscillator which has a frequency of 400 kHz. This oscillator can be used to save power when a high clock frequency is not needed.

2.6 External clock input option

In this configuration, the processor clock is derived from an external source driving the XTAL1 / P3.1 pin. The rate may be from 0 Hz up to 18 MHz. The XTAL2 / P3.0 pin may be used as a standard port pin or a clock output.

When using an external clock input frequency above 12 MHz, the reset input function of P1.5 must be enabled. An external circuit is required to hold the device in reset at power-up until V_{DD} has reached its specified level. When system power is removed V_{DD} will fall below the minimum specified operating voltage. When using an external clock input frequency above 12 MHz, in some applications, an external brownout detect circuit may be required to hold the device in reset when V_{DD} falls below the minimum specified operating voltage. These requirements for clock frequencies above 12 MHz do not apply when using the internal RC oscillator in clock doubler mode.



2.7 Oscillator Clock (OSCCLK) wake-up delay

The P89LPC952/954 has an internal wake-up timer that delays the clock until it stabilizes depending to the clock source used. If the clock source is any of the three crystal selections, the delay is 992 OSCCLK cycles plus 60 μ s to 100 μ s. If the clock source is either the internal RC oscillator or the Watchdog oscillator, the delay is 224 OSCCLK cycles plus 60 μ s to 100 μ s.

2.8 CPU Clock (CCLK) modification: DIVM register

The OSCCLK frequency can be divided down, by an integer, up to 510 times by configuring a dividing register, DIVM, to provide CCLK. This produces the CCLK frequency using the following formula:

$$\text{CCLK frequency} = f_{\text{osc}} / (2N)$$

Where: f_{osc} is the frequency of OSCCLK, N is the value of DIVM.

Since N ranges from 0 to 255, the CCLK frequency can be in the range of f_{osc} to $f_{\text{osc}}/510$. (for N = 0, CCLK = f_{osc}).

This feature makes it possible to temporarily run the CPU at a lower rate, reducing power consumption. By dividing the clock, the CPU can retain the ability to respond to events other than those that can cause interrupts (i.e. events that allow exiting the Idle mode) by executing its normal program at a lower rate. This can often result in lower power consumption than in Idle mode. This can allow bypassing the oscillator start-up time in cases where Power-down mode would otherwise be used. The value of DIVM may be changed by the program at any time without interrupting code execution.

2.9 Low power select

The P89LPC952/954 is designed to run at 18 MHz (CCLK) maximum. However, if CCLK is 8 MHz or slower, the CLKLP SFR bit (AUXR1.7) can be set to a logic 1 to lower the power consumption further. On any reset, CLKLP is logic 0 allowing highest performance. This bit can then be set in software if CCLK is running at 8 MHz or slower.

3. A/D converter

3.1 General description

The P89LPC952/954 has a 10-bit, 8-channel multiplexed successive approximation analog-to-digital converter module. A block diagram of the A/D converter is shown in [Figure 8](#). The A/D consists of an 8-input multiplexer which feeds a sample-and-hold circuit providing an input signal to one of two comparator inputs. The control logic in combination with the SAR drives a digital-to-analog converter which provides the other input to the comparator. The output of the comparator is fed to the SAR.

3.2 A/D features

- 10-bit, 8-channel multiplexed input, successive approximation A/D converter.
- Eight result register pairs.
- Six operating modes
 - Fixed channel, single conversion mode
 - Fixed channel, continuous conversion mode
 - Auto scan, single conversion mode
 - Auto scan, continuous conversion mode
 - Dual channel, continuous conversion mode
 - Single step mode

- Three conversion start modes
 - Timer triggered start
 - Start immediately
 - Edge triggered
- 10-bit conversion time of 4 μ s at an A/D clock of 9 MHz
- Interrupt or polled operation
- High and low boundary limits interrupt
- Clock divider
- Power down mode

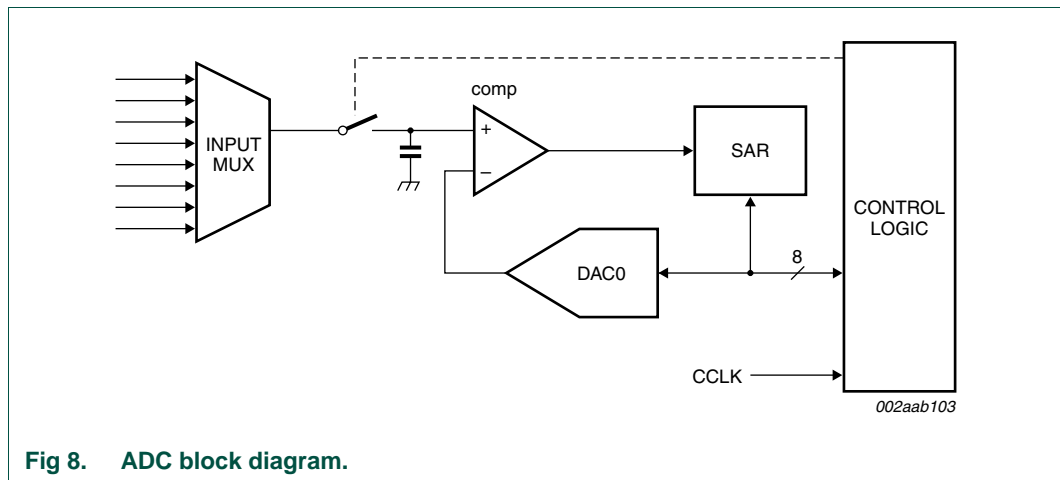


Fig 8. ADC block diagram.

3.2.1 A/D operating modes

3.2.1.1 Fixed channel, single conversion mode

A single input channel can be selected for conversion. A single conversion will be performed and the result placed in the result register pair which corresponds to the selected input channel (see [Table 7](#)). An interrupt, if enabled, will be generated after the conversion completes. The input channel is selected in the ADINS register. This mode is selected by setting the SCAN0 bit in the ADMODA register.

Table 7. Input channels and result registers for fixed channel single, auto scan single, and auto scan continuous conversion modes

Result register	Input channel	Result register	Input channel
AD0DAT0R/L	AD00	AD0DAT4R/L	AD04
AD0DAT1R/L	AD01	AD0DAT5R/L	AD05
AD0DAT2R/L	AD02	AD0DAT6R/L	AD06
AD0DAT3R/L	AD03	AD0DAT7R/L	AD07

3.2.1.2 Fixed channel, continuous conversion mode

A single input channel can be selected for continuous conversion. The results of the conversions will be sequentially placed in the eight result register pairs (see [Table 8](#)). The user may select whether an interrupt can be generated after every four or every eight

conversions. Additional conversion results will again cycle through the result register pairs, overwriting the previous results. Continuous conversions continue until terminated by the user. This mode is selected by setting the SCC0 bit in the ADMODA register.

Table 8. Result registers and conversion results for fixed channel, continuous conversion mode

Result register	Contains
AD0DAT0R/L	Selected channel, first conversion result
AD0DAT1R/L	Selected channel, second conversion result
AD0DAT2R/L	Selected channel, third conversion result
AD0DAT3R/L	Selected channel, fourth conversion result
AD0DAT4R/L	Selected channel, fifth conversion result
AD0DAT5R/L	Selected channel, sixth conversion result
AD0DAT6R/L	Selected channel, seventh conversion result
AD0DAT7R/L	Selected channel, eighth conversion result

3.2.1.3 Auto scan, single conversion mode

Any combination of the eight input channels can be selected for conversion by setting a channel's respective bit in the ADINS register. A single conversion of each selected input will be performed and the result placed in the result register pair which corresponds to the selected input channel (see [Table 7](#)). The user may select whether an interrupt, if enabled, will be generated after either the first four conversions have occurred or all selected channels have been converted. If the user selects to generate an interrupt after the first four input channels have been converted, a second interrupt will be generated after the remaining input channels have been converted. If only a single channel is selected this is equivalent to single channel, single conversion mode. The channels are converted from LSB to MSB order (in ADINS). This mode is selected by setting the SCAN0 bit in the ADMODA register.

3.2.1.4 Auto scan, continuous conversion mode

Any combination of the eight input channels can be selected for conversion by setting a channel's respective bit in the ADINS register. A conversion of each selected input will be performed and the result placed in the result register pair which corresponds to the selected input channel (See [Table 7](#)). The user may select whether an interrupt, if enabled, will be generated after either the first four conversions have occurred or all selected channels have been converted. If the user selects to generate an interrupt after the four input channels have been converted, a second interrupt will be generated after the remaining input channels have been converted. After all selected channels have been converted, the process will repeat starting with the first selected channel. Additional conversion results will again cycle through the eight result register pairs, overwriting the previous results. Continuous conversions continue until terminated by the user. The channels are converted from LSB to MSB order (in ADINS). This mode is selected by setting the BURST0 bit in the ADMODA register.

3.2.1.5 Dual channel, continuous conversion mode

This is a variation of the auto scan continuous conversion mode where conversion occurs on two user-selectable inputs. Any combination of two of the eight input channels can be selected for conversion. The result of the conversion of the first channel is placed in the result register pair, AD0DAT0R and AD0DAT0L. The result of the conversion of the

second channel is placed in result register pair, AD0DAT1R and AD0DAT1L. The first channel is again converted and its result stored in AD0DAT2R and AD0DAT2L. The second channel is again converted and its result placed in AD0DAT3R and AD0DAT3L, etc. (see [Table 9](#)). An interrupt is generated, if enabled, after every set of four or eight conversions (user selectable). This mode is selected by setting the SCC0 bit in the ADMODA register.

Table 9. Result registers and conversion results for dual channel, continuous conversion mode

Result register	Contains
AD0DAT0R/L	First channel, first conversion result
AD0DAT1R/L	Second channel, first conversion result
AD0DAT2R/L	First channel, second conversion result
AD0DAT3R/L	Second channel, second conversion result
AD0DAT4R/L	First channel, third conversion result
AD0DAT5R/L	Second channel, third conversion result
AD0DAT6R/L	First channel, fourth conversion result
AD0DAT7R/L	Second channel, fourth conversion result

3.2.1.6 Single step mode

This special mode allows 'single-stepping' in an auto scan conversion mode. Any combination of the eight input channels can be selected for conversion. After each channel is converted, an interrupt is generated, if enabled, and the A/D waits for the next start condition. The result of each channel is placed in the result register which corresponds to the selected input channel (See [Table 7](#)). May be used with any of the start modes. This mode is selected by clearing the BURST0, SCC0, and SCAN0 bits in the ADMODA register.

3.2.2 Conversion mode selection bits

The A/D uses three bits in ADMODA to select the conversion mode. These mode bits are summarized in [Table 10](#), below. Combinations of the three bits, other than the combinations shown, are undefined.

Table 10. Conversion mode bits

Burst0	SCC0	Scan0	ADC0 conversion mode
0	0	0	Single step
0	0	1	Fixed channel, single Auto scan, single
0	1	0	Fixed channel, continuous Dual channel, continuous
1	0	0	Auto scan, continuous

3.2.3 Conversion start modes

3.2.3.1 Timer triggered start

An A/D conversion is started by the overflow of Timer 0. Once a conversion has started, additional Timer 0 triggers are ignored until the conversion has completed. The Timer triggered start mode is available in all A/D operating modes. This mode is selected by the TMMx bit and the ADCS01 and ADCS00 bits (see [Table 12](#) and [Table 14](#)).

3.2.3.2 Start immediately

Programming this mode immediately starts a conversion. This start mode is available in all A/D operating modes. This mode is selected by setting the ADCS01 and ADCS00 bits in the ADCON0 register (See [Table 12](#) and [Table 14](#)).

3.2.3.3 Edge triggered

An A/D conversion is started by rising or falling edge of P1.4. Once a conversion has started, additional edge triggers are ignored until the conversion has completed. The edge triggered start mode is available in all A/D operating modes. This mode is selected by setting the ADCS01 and ADCS00 bits in the ADCON0 register (See [Table 12](#) and [Table 14](#)).

3.2.4 Stopping and restarting conversions

An A/D conversion or set of conversions can be stopped by clearing the ADCS01 and ADCS00 bits in ADCON0 (and also the TMM0 bit in ADCON0 if the conversion was started in Timer triggered mode). Prior to resuming conversions, the user will need to reset the input multiplexer to the first user specified channel. This can be accomplished by writing the ADINS register with the desired channels.

3.2.5 Boundary limits interrupt

The A/D converter has both a high and low boundary limit register. The user may select whether an interrupt is generated when the conversion result is within (or equal to) the high and low boundary limits or when the conversion result is outside the boundary limits. An interrupt will be generated, if enabled, if the result meets the selected interrupt criteria. The boundary limit may be disabled by clearing the boundary limit interrupt enable.

An early detection mechanism exists when the interrupt criteria has been selected to be outside the boundary limits. In this case, after the four MSBs have been converted, these four bits are compared with the four MSBs of the boundary high and low registers. If the four MSBs of the conversion meet the interrupt criteria (i.e.- outside the boundary limits) an interrupt will be generated, if enabled. If the four MSBs do not meet the interrupt criteria, the boundary limits will again be compared after all 8 MSBs have been converted. The boundary status register (BNDSTA0) flags the channels which caused a boundary interrupt.

3.2.6 Clock divider

The A/D converter requires that its internal clock source be in the range of 320 kHz to 9 MHz to maintain accuracy. A programmable clock divider that divides the clock from 1 to 8 is provided for this purpose (See [Table 16](#)).

3.2.7 I/O pins used with ADC functions

The analog input pins may be used as either digital I/O or as inputs to A/D and thus have a digital input and output function. In order to give the best analog performance, pins that are being used with the ADC should have their digital outputs and inputs disabled and have the 5V tolerance disconnected. Digital outputs are disabled by putting the port pins into the input-only mode as described in the Port Configurations section (see [Table 24](#)). Digital inputs will be disconnected automatically from these pins when the pin has been selected by setting its corresponding bit in the ADINS register and its corresponding A/D has been enabled.

When used as digital I/O these pins are 5 V tolerant. If selected as input signals in ADINS, these pins will be 3V tolerant if the corresponding A/D is enabled and the device is not in power down. Otherwise the pin will remain 5V tolerant. Please refer to the *P89LPC952/954 data sheet* for specifications.

3.2.8 Power-down and Idle mode

In Idle mode the A/D converter, if enabled, will continue to function and can cause the device to exit Idle mode when the conversion is completed if the A/D interrupt is enabled. In Power-down mode or Total Power-down mode, the A/D does not function. If the A/D is enabled, it will consume power. Power can be reduced by disabling the A/D.

Table 11. A/D Control register 0 (ADCON0 - address 97h) bit allocation

Bit	7	6	5	4	3	2	1	0
Symbol	ENBIO	ENADCIO	TMM0	EDGE0	ADCIO	ENADC0	ADCS01	ADCS00
Reset	0	0	0	0	0	0	0	0

Table 12. A/D Control register 0 (ADCON0 - address 97h) bit description

Bit	Symbol	Description
1:0	ADCS01,ADCS00	A/D start mode bits, see below. 00 — Timer Trigger Mode when TMM0 = 1. Conversions starts on overflow of Timer 0. When TMM0 =0, no start occurs (stop mode). 01 — Immediate Start Mode. Conversion starts immediately. 10 — Edge Trigger Mode. Conversion starts when edge condition defined by bit EDGE0 occurs.
2	ENADC0	Enable ADC0. When set = 1, enables ADC0, when = 0, the ADC is in power-down.
3	ADCIO	A/D Conversion complete Interrupt 0. Set when any conversion or set of multiple conversions has completed. Cleared by software.
4	EDGE0	An edge conversion start is triggered by a falling edge on P1.4 when EDGE0 =0 while in edge-triggered mode. An edge conversion start is triggered by a rising edge on P1.4 when EDGE0 =1 while in edge-triggered mode.
5	TMM0	Timer Trigger Mode 0. Selects either stop mode (TMM0 = 0) or timer trigger mode (TMM0 = 1) when the ADCS01 and ADCS00 bits = 00.
6	ENADCIO	Enable A/D Conversion complete Interrupt 0. When set, will cause an interrupt if the ADCIO flag is set and the A/D interrupt is enabled.
7	ENBIO	Enable A/D boundary interrupt 0. When set, will cause an interrupt if the boundary interrupt 0 flag, BNDIO, is set and the A/D interrupt is enabled.

Table 13. A/D Mode register A (ADMODA - address 0C0h) bit allocation

Bit	7	6	5	4	3	2	1	0
Symbol	BNDI0	BURST0	SCC0	SCAN0	-	-	-	-
Reset	0	0	0	0	0	0	0	0

Table 14. A/D Mode register A (ADMODA - address 0C0h) bit description

Bit	Symbol	Description
0:3	-	Reserved.
4	SCAN0	When = 1, selects single conversion mode (auto scan or fixed channel).
5	SCC0	When = 1, selects fixed and dual channel, continuous conversion modes.
6	BURST0	When = 1, selects auto scan, continuous conversion mode.
7	BNDI0	ADC0 boundary interrupt flag. When set, indicates that the converted result is inside/outside of the range defined by the ADC0 boundary registers.

Table 15. A/D Mode register B (ADMODB - address A1h) bit allocation

Bit	7	6	5	4	3	2	1	0
Symbol	CLK2	CLK1	CLK0	INBND0	-	-	BSA0	FCIIS
Reset	0	0	0	0	0	0	0	0

Table 16. A/D Mode register B (ADMODB - address A1h) bit description

Bit	Symbol	Description
0	FCIIS	Four conversion intermediate interrupt select. When =1, will generate an interrupt after four conversions in fixed channel or dual channel continuous modes. In any of the scan modes setting this bit will generate an interrupt after the fourth conversion if the number of channels selected is greater than four.
1	BSA0	ADC0 Boundary Select All. When =1, BNDI0 will be set if any ADC0 input exceeds the boundary limits. When = 0, BNDI0 will be set only if the AD00 input exceeded the boundary limits.
2:3	-	Reserved
4	INBND0	When set = 1, generates an interrupt if the conversion result is inside or equal to the boundary limits. When cleared = 0, generates an interrupt if the conversion result is outside the boundary limits.
7:5	CLK2,CLK1,CLK0	Clock divider to produce the ADC clock. Divides CCLK by the value indicated below. The resulting ADC clock should be 9 MHz or less. A minimum of 320 kHz is required to maintain A/D accuracy.
		CLK2:0 — Divisor
		000 — 1
		001 — 2
		010 — 3
		011 — 4
		011 — 5
		011 — 6
		011 — 7
		011 — 8

Table 17. A/D Input select (ADINS - address A3h) bit allocation

Bit	7	6	5	4	3	2	1	0
Symbol	AIN07	AIN06	AIN05	AIN04	AIN03	AIN02	AIN01	AIN00
Reset	0	0	0	0	0	0	0	0

Table 18. A/D Input select (ADINS - address A3h) bit description

Bit	Symbol	Description
0	AIN00	When set, enables the AD00 pin for sampling and conversion.
1	AIN01	When set, enables the AD01 pin for sampling and conversion.
2	AIN02	When set, enables the AD02 pin for sampling and conversion.
3	AIN03	When set, enables the AD03 pin for sampling and conversion.
4	AIN04	When set, enables the AD04 pin for sampling and conversion.
5	AIN05	When set, enables the AD05 pin for sampling and conversion.
6	AIN06	When set, enables the AD06 pin for sampling and conversion.
7	AIN07	When set, enables the AD07 pin for sampling and conversion.

Table 19. Boundary status register 0 (BNDSTA0 - address FFEDh) bit allocation

Bit	7	6	5	4	3	2	1	0
Symbol	BST07	BST06	BST05	BST04	BST03	BST02	BST01	BST00
Reset	0	0	0	0	0	0	0	0

Table 20. Boundary status register 0 (BNDSTA0 - address FFEDh) bit description

Bit	Symbol	Description
0	BST00	When set, indicates that conversion result for the AD00 pin was inside/outside the boundary limits. This bit is cleared in software by writing a 1 to this bit.
1	BST01	When set, indicates that conversion result for the AD01 pin was inside/outside the boundary limits. This bit is cleared in software by writing a 1 to this bit.
2	BST02	When set, indicates that conversion result for the AD02 pin was inside/outside the boundary limits. This bit is cleared in software by writing a 1 to this bit.
3	BST03	When set, indicates that conversion result for the AD03 pin was inside/outside the boundary limits. This bit is cleared in software by writing a 1 to this bit.
4	BST04	When set, indicates that conversion result for the AD04 pin was inside/outside the boundary limits. This bit is cleared in software by writing a 1 to this bit.
5	BST05	When set, indicates that conversion result for the AD05 pin was inside/outside the boundary limits. This bit is cleared in software by writing a 1 to this bit.
6	BST06	When set, indicates that conversion result for the AD06 pin was inside/outside the boundary limits. This bit is cleared in software by writing a 1 to this bit.
7	BST07	When set, indicates that conversion result for the AD07 pin was inside/outside the boundary limits. This bit is cleared in software by writing a 1 to this bit.

4. Interrupts

The P89LPC952/954 uses a four priority level interrupt structure. This allows great flexibility in controlling the handling of the P89LPC952/954's 15 interrupt sources.

Each interrupt source can be individually enabled or disabled by setting or clearing a bit in the interrupt enable registers IEN0 or IEN1. The IEN0 register also contains a global enable bit, EA, which enables all interrupts.

Each interrupt source can be individually programmed to one of four priority levels by setting or clearing bits in the interrupt priority registers IP0, IP0H, IP1, and IP1H. An interrupt service routine in progress can be interrupted by a higher priority interrupt, but not by another interrupt of the same or lower priority. The highest priority interrupt service cannot be interrupted by any other interrupt source. If two requests of different priority levels are received simultaneously, the request of higher priority level is serviced.

If requests of the same priority level are pending at the start of an instruction cycle, an internal polling sequence determines which request is serviced. This is called the arbitration ranking. Note that the arbitration ranking is only used for pending requests of the same priority level. [Table 22](#) summarizes the interrupt sources, flag bits, vector addresses, enable bits, priority bits, arbitration ranking, and whether each interrupt may wake-up the CPU from a Power-down mode.

4.1 Interrupt priority structure

Table 21. Interrupt priority level

Priority bits		Interrupt priority level
IPxH	IPx	
0	0	Level 0 (lowest priority)
0	1	Level 1
1	0	Level 2
1	1	Level 3

There are four SFRs associated with the four interrupt levels: IP0, IP0H, IP1, IP1H. Every interrupt has two bits in IPx and IPxH (x = 0, 1) and can therefore be assigned to one of four levels, as shown in [Table 22](#).

The P89LPC952/954 has two external interrupt inputs in addition to the Keypad Interrupt function. The two interrupt inputs are identical to those present on the standard 80C51 microcontrollers.

These external interrupts can be programmed to be level-triggered or edge-triggered by clearing or setting bit IT1 or IT0 in Register TCON. If $IT_n = 0$, external interrupt n is triggered by a low level detected at the \overline{INT}_n pin. If $IT_n = 1$, external interrupt n is edge triggered. In this mode if consecutive samples of the \overline{INT}_n pin show a high level in one cycle and a low level in the next cycle, interrupt request flag IEn in TCON is set, causing an interrupt request.

Since the external interrupt pins are sampled once each machine cycle, an input high or low level should be held for at least one machine cycle to ensure proper sampling. If the external interrupt is edge-triggered, the external source has to hold the request pin high for at least one machine cycle, and then hold it low for at least one machine cycle. This is to ensure that the transition is detected and that interrupt request flag IEn is set. IEn is automatically cleared by the CPU when the service routine is called.

If the external interrupt is level-triggered, the external source must hold the request active until the requested interrupt is generated. If the external interrupt is still asserted when the interrupt service routine is completed, another interrupt will be generated. It is not necessary to clear the interrupt flag IEn when the interrupt is level sensitive, it simply tracks the input pin level.

If an external interrupt has been programmed as level-triggered and is enabled when the P89LPC952/954 is put into Power-down mode or Idle mode, the interrupt occurrence will cause the processor to wake-up and resume operation. Refer to [Section 6.3 “Power reduction modes”](#) for details.

4.2 External Interrupt pin glitch suppression

Most of the P89LPC952/954 pins have glitch suppression circuits to reject short glitches (please refer to the *P89LPC952/954 data sheet, Dynamic characteristics* for glitch filter specifications). However, pins *SDA/INT0/P1.3* and *SCL/T0/P1.2* do not have the glitch suppression circuits. Therefore, *INT1* has glitch suppression while *INT0* does not.

Table 22. Summary of interrupts

Description	Interrupt flag bit(s)	Vector address	Interrupt enable bit(s)	Interrupt priority	Arbitration ranking	Power-down wake-up
External interrupt 0	IE0	0003h	EX0 (IEN0.0)	IP0H.0, IP0.0	1 (highest)	Yes
Timer 0 interrupt	TF0	000Bh	ET0 (IEN0.1)	IP0H.1, IP0.1	4	No
External interrupt 1	IE1	0013h	EX1 (IEN0.2)	IP0H.2, IP0.2	7	Yes
Timer 1 interrupt	TF1	001Bh	ET1 (IEN0.3)	IP0H.3, IP0.3	10	No
Serial port 0 Tx and Rx	TI_0 and RI_0	0023h	ES/ESR (IEN0.4)	IP0H.4, IP0.4	13	No
Serial port 0 Rx	RI_0					
Brownout detect	BOF	002Bh	EBO (IEN0.5)	IP0H.5, IP0.5	2	Yes
Watchdog timer/Real-time clock	WDOVF/RTCF	0053h	EWDRT (IEN0.6)	IP0H.6, IP0.6	3	Yes
I ² C interrupt	SI	0033h	EI2C (IEN1.0)	IP0H.0, IP0.0	5	No
KBI interrupt	KBIF	003Bh	EKBI (IEN1.1)	IP0H.0, IP0.0	8	Yes
Comparators 1 and 2 interrupts	CMF1/CMF2	0043h	EC (IEN1.2)	IP0H.0, IP0.0	11	Yes
SPI interrupt	SPIF	004Bh	ESPI (IEN1.3)	IP1H.3, IP1.3	14	No
Serial port 0 Tx	TI_0	006Bh	EST (IEN1.6)	IP0H.0, IP0.0	12	No
Data EEPROM		0073h	EAD (IEN1.7)	IP1H.7, IP1.7	15	No
A/D converter	ADC10, BNDI1	0083h	EADC (IEN2.1)	IP2H.1, IP2.1	16 (lowest)	No
Serial port 1 Tx and Rx	TI_1 and RI_1	008Bh	ES1/ESR1 (IEN2.2)	IP2H.2, IP2.2	17	No
Serial port 1 Rx	RI_1					
Serial port 1 Tx	TI_1	0093h	EST1 (IEN2.3)	IP2H.3, IP2.3	18	No

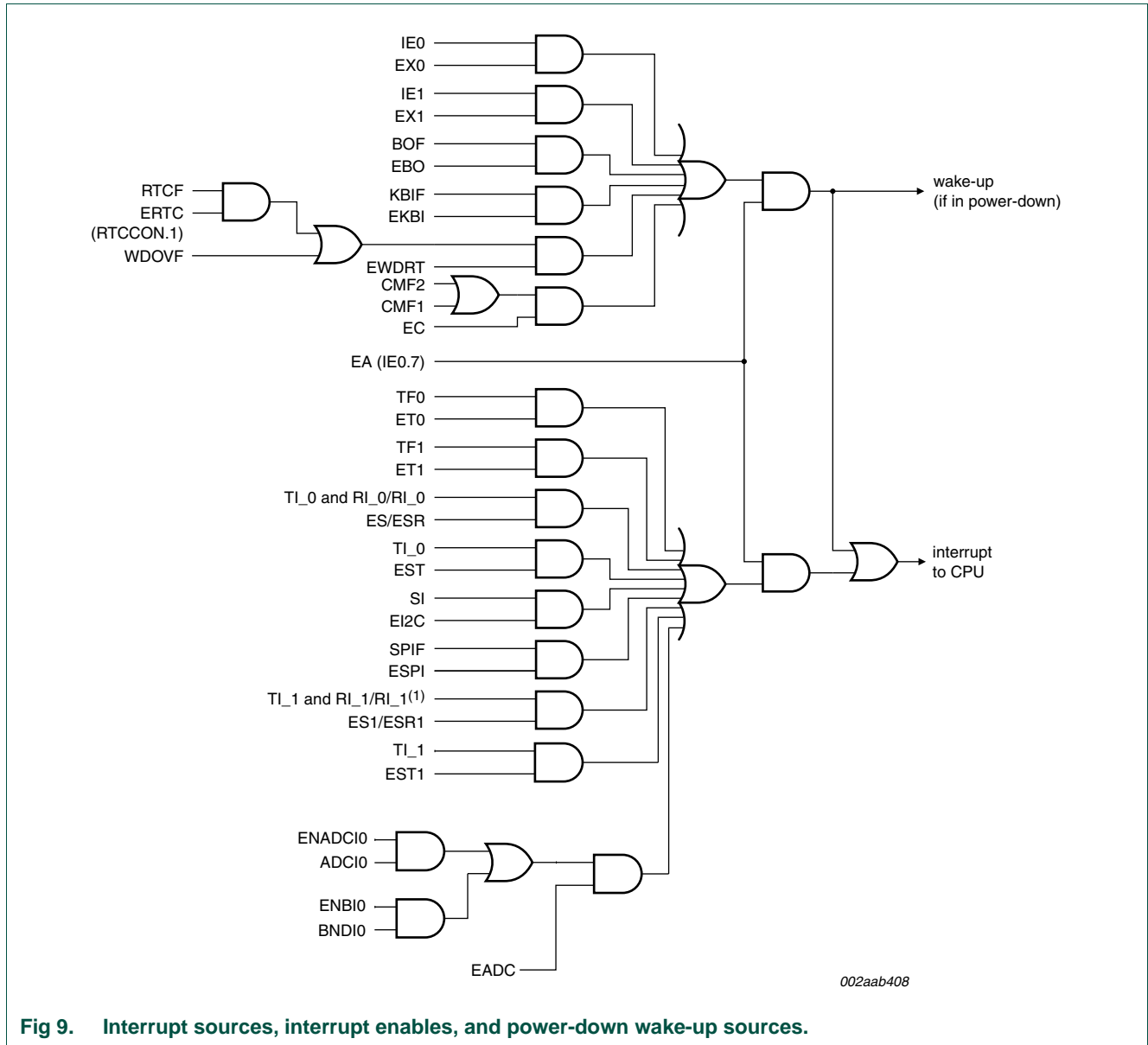


Fig 9. Interrupt sources, interrupt enables, and power-down wake-up sources.

5. I/O ports

The P89LPC952/954 has four I/O ports: Port 0, Port 1, Port 2, Port 3, Port 4, and Port 5. Ports 0, 1, 4 and 5 are 8-bit ports, Port 2 is a 6-bit port, and Port 3 is a 2-bit port. The exact number of I/O pins available depends upon the clock and reset options chosen (see [Table 23](#)).

Table 23. Number of I/O pins available

Clock source	Reset option	Number of I/O pins
On-chip oscillator or watchdog oscillator	No external reset (except during power up)	40
	External $\overline{\text{RST}}$ pin supported	39

Table 23. Number of I/O pins available ...continued

Clock source	Reset option	Number of I/O pins
External clock input	No external reset (except during power up)	39
	External $\overline{\text{RST}}$ pin supported ^[1]	38
Low/medium/high speed oscillator (external crystal or resonator)	No external reset (except during power up)	38
	External $\overline{\text{RST}}$ pin supported ^[1]	37

[1] Required for a clock frequency above 12 MHz.

5.1 Port configurations

All but three I/O port pins on the P89LPC952/954 may be configured by software to one of four types on a pin-by-pin basis, as shown in [Table 24](#). These are: quasi-bidirectional (standard 80C51 port outputs), push-pull, open drain, and input-only. Two configuration registers for each port select the output type for each port pin.

P1.5 ($\overline{\text{RST}}$) can only be an input and cannot be configured.

P1.2 (SCL/T0) and P1.3 (SDA/INT0) may only be configured to be either input-only or open drain.

Table 24. Port output configuration settings

PxM1.y	PxM2.y	Port output mode
0	0	Quasi-bidirectional
0	1	Push-pull
1	0	Input only (high-impedance)
1	1	Open drain

5.2 Quasi-bidirectional output configuration

Quasi-bidirectional outputs can be used both as an input and output without the need to reconfigure the port. This is possible because when the port outputs a logic high, it is weakly driven, allowing an external device to pull the pin low. When the pin is driven low, it is driven strongly and able to sink a large current. There are three pull-up transistors in the quasi-bidirectional output that serve different purposes.

One of these pull-ups, called the 'very weak' pull-up, is turned on whenever the port latch for the pin contains a logic 1. This very weak pull-up sources a very small current that will pull the pin high if it is left floating.

A second pull-up, called the 'weak' pull-up, is turned on when the port latch for the pin contains a logic 1 and the pin itself is also at a logic 1 level. This pull-up provides the primary source current for a quasi-bidirectional pin that is outputting a 1. If this pin is pulled low by an external device, the weak pull-up turns off, and only the very weak pull-up remains on. In order to pull the pin low under these conditions, the external device has to sink enough current to overpower the weak pull-up and pull the port pin below its input threshold voltage.

The third pull-up is referred to as the ‘strong’ pull-up. This pull-up is used to speed up low-to-high transitions on a quasi-bidirectional port pin when the port latch changes from a logic 0 to a logic 1. When this occurs, the strong pull-up turns on for two CPU clocks quickly pulling the port pin high.

The quasi-bidirectional port configuration is shown in [Figure 10](#).

Although the P89LPC952/954 is a 3 V device most of the pins are 5 V-tolerant. If 5 V is applied to a pin configured in quasi-bidirectional mode, there will be a current flowing from the pin to V_{DD} causing extra power consumption. Therefore, applying 5 V to pins configured in quasi-bidirectional mode is discouraged.

A quasi-bidirectional port pin has a Schmitt-triggered input that also has a glitch suppression circuit

(Please refer to the *P89LPC952/954 data sheet, Dynamic characteristics* for glitch filter specifications).

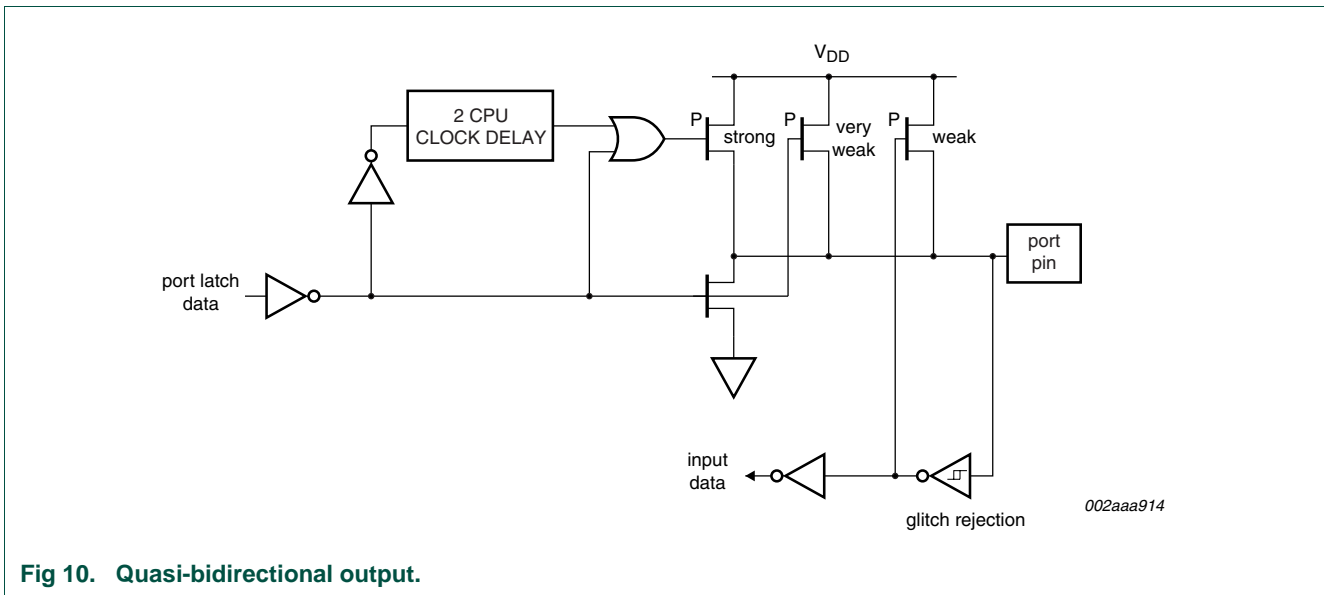


Fig 10. Quasi-bidirectional output.

5.3 Open drain output configuration

The open drain output configuration turns off all pull-ups and only drives the pull-down transistor of the port pin when the port latch contains a logic 0. To be used as a logic output, a port configured in this manner must have an external pull-up, typically a resistor tied to V_{DD} . The pull-down for this mode is the same as for the quasi-bidirectional mode.

The open drain port configuration is shown in [Figure 11](#).

An open drain port pin has a Schmitt-triggered input that also has a glitch suppression circuit.

Please refer to the *P89LPC952/954 data sheet, Dynamic characteristics* for glitch filter specifications.

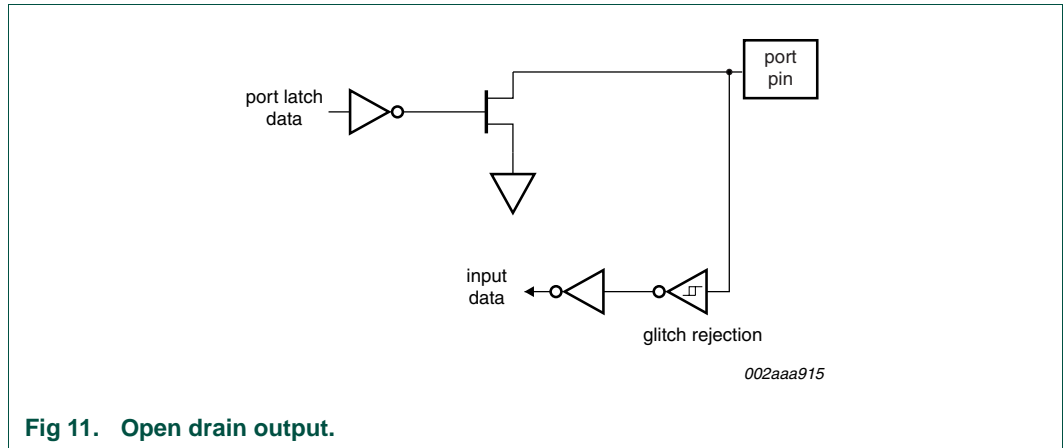


Fig 11. Open drain output.

5.4 Input-only configuration

The input port configuration is shown in [Figure 12](#). It is a Schmitt-triggered input that also has a glitch suppression circuit.

(Please refer to the *P89LPC952/954 data sheet, Dynamic characteristics* for glitch filter specifications).

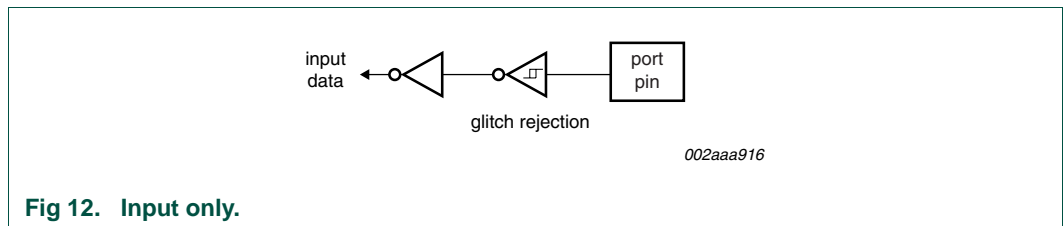


Fig 12. Input only.

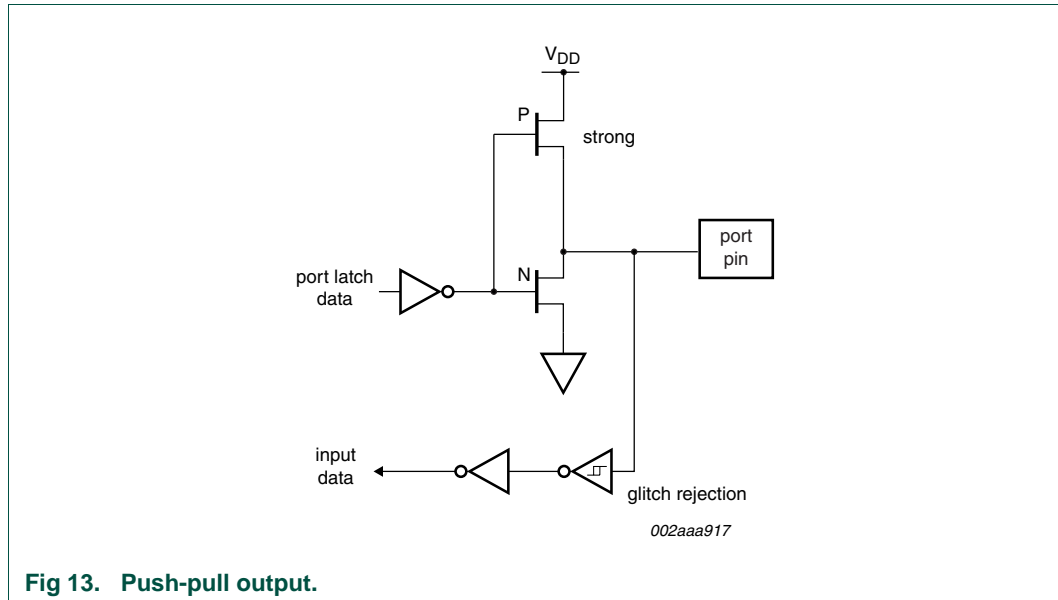
5.5 Push-pull output configuration

The push-pull output configuration has the same pull-down structure as both the open drain and the quasi-bidirectional output modes, but provides a continuous strong pull-up when the port latch contains a logic 1. The push-pull mode may be used when more source current is needed from a port output.

The push-pull port configuration is shown in [Figure 13](#).

A push-pull port pin has a Schmitt-triggered input that also has a glitch suppression circuit.

(Please refer to the *P89LPC952/954 data sheet, Dynamic characteristics* for glitch filter specifications).



5.6 Port 0 and Analog Comparator functions

The P89LPC952/954 incorporates two Analog Comparators. In order to give the best analog performance and minimize power consumption, pins that are being used for analog functions must have both the digital outputs and digital inputs disabled.

Digital outputs are disabled by putting the port pins into the input-only mode as described in the Port Configurations section (see [Figure 12](#)).

Digital inputs on Port 0 may be disabled through the use of the PT0AD register. Bits 1 through 5 in this register correspond to pins P0.1 through P0.5 of Port 0, respectively. Setting the corresponding bit in PT0AD disables that pin's digital input. Port bits that have their digital inputs disabled will be read as 0 by any instruction that accesses the port.

On any reset, PT0AD bits 1 through 5 default to logic 0s to enable the digital functions.

5.7 Additional port features

After power-up, all pins are in Input-Only mode. **Please note that this is different from the LPC76x series of devices.**

- After power-up, all I/O pins except P1.5, may be configured by software.
- Pin P1.5 is input only. Pins P1.2 and P1.3 are configurable for either input-only or open drain.

Every output on the P89LPC952/954 has been designed to sink typical LED drive current. However, there is a maximum total output current for all ports which must not be exceeded. Please refer to the *P89LPC952/954 data sheet* for detailed specifications.

All ports pins that can function as an output have slew rate controlled outputs to limit noise generated by quickly switching output signals. The slew rate is factory-set to approximately 10 ns rise and fall times.

Table 25. Port output configuration

Port pin	Configuration SFR bits		Alternate usage	Notes
	PxM1.y	PxM2.y		
P0.0	P0M1.0	P0M2.0	KBIO, CMP2, AD05	
P0.1	P0M1.1	P0M2.1	KBI1, CIN2B, AD00	Refer to Section 5.6 "Port 0 and Analog Comparator functions" for usage as analog inputs.
P0.2	P0M1.2	P0M2.2	KBI2, CIN2A, AD01	
P0.3	P0M1.3	P0M2.3	KBI3, CIN1B, AD02	
P0.4	P0M1.4	P0M2.4	KBI4, CIN1A, AD03	
P0.5	P0M1.5	P0M2.5	KBI5, CMPREF	
P0.6	P0M1.6	P0M2.6	KBI6, CMP1	
P0.7	P0M1.7	P0M2.7	KBI7, T1	
P1.0	P1M1.0	P1M2.0	TXD	
P1.1	P1M1.1	P1M2.1	RXD	
P1.2	P1M1.2	P1M2.2	T0, SCL	Input-only or open-drain
P1.3	P1M1.3	P1M2.3	$\overline{\text{INTO}}$, SDA	input-only or open-drain
P1.4	P1M1.4	P1M2.4	$\overline{\text{INT1}}$	
P1.5	P1M1.5	P1M2.5	$\overline{\text{RST}}$	
P1.6	P1M1.6	P1M2.6	OCB	
P1.7	P1M1.7	P1M2.7	OCC, AD04	
P2.0	P2M1.0	P2M2.0	ICB, AD07	
P2.1	P2M1.1	P2M2.1	OCD, AD06	
P2.2	P2M1.2	P2M2.2	MOSI	
P2.3	P2M1.3	P2M2.3	MISO	
P2.4	P2M1.4	P2M2.4	$\overline{\text{SS}}$	
P2.5	P2M1.5	P2M2.5	SPICKL	
P3.0	P3M1.0	P3M2.0	CLKOUT, XTAL2	
P3.1	P3M1.1	P3M2.1	XTAL1	
P4.0	P4M1.0	P4M2.0		
P4.1	P4M1.1	P4M2.1	TRIG	
P4.2	P4M1.2	P4M2.2	TXD1	
P4.3	P4M1.3	P4M2.3	RXD1	
P4.4	P4M1.4	P4M2.4		
P4.5	P4M1.5	P4M2.5	TDI	
P4.6	P4M1.6	P4M2.6		
P4.7	P4M1.7	P4M2.7	TCLK	
P5.0	P5M1.0	P5M2.0		
P5.1	P5M1.1	P5M2.1		
P5.2	P5M1.2	P5M2.2		
P5.3	P5M1.3	P5M2.3		
P5.4	P5M1.4	P5M2.4		
P5.5	P5M1.5	P5M2.5		
P5.6	P5M1.6	P5M2.6		
P5.7	P5M1.7	P5M2.7		

6. Power monitoring functions

The P89LPC952/954 incorporates power monitoring functions designed to prevent incorrect operation during initial power-on and power loss or reduction during operation. This is accomplished with two hardware functions: Power-on Detect and Brownout Detect.

6.1 Brownout detection

The Brownout Detect function determines if the power supply voltage drops below a certain level. The default operation for a Brownout Detection is to cause a processor reset. However, it may alternatively be configured to generate an interrupt by setting the BOI (PCON.4) bit and the EBO (IEN0.5) bit.

Enabling and disabling of Brownout Detection is done via the BOPD (PCON.5) bit, bit field PMOD1/PMOD0 (PCON[1:0]) and user configuration bit BOE (UCFG1.5). If BOE is in an unprogrammed state, brownout is disabled regardless of PMOD1/PMOD0 and BOPD. If BOE is in a programmed state, PMOD1/PMOD0 and BOPD will be used to determine whether Brownout Detect will be disabled or enabled. PMOD1/PMOD0 is used to select the power reduction mode. If PMOD1/PMOD0 = '11', the circuitry for the Brownout Detection is disabled for lowest power consumption. BOPD defaults to logic 0, indicating brownout detection is enabled on power-on if BOE is programmed.

If Brownout Detection is enabled, the brownout condition occurs when V_{DD} falls below the Brownout trip voltage, VBO (see *P89LPC952/954 data sheet, Static characteristics*), and is negated when V_{DD} rises above VBO. If the P89LPC952/954 device is to operate with a power supply that can be below 2.7 V, BOE should be left in the unprogrammed state so that the device can operate at 2.4 V, otherwise continuous brownout reset may prevent the device from operating.

If Brownout Detect is enabled (BOE programmed, PMOD1/PMOD0 \neq '11', BOPD = 0), BOF (RSTSRC.5) will be set when a brownout is detected, regardless of whether a reset or an interrupt is enabled. BOF will stay set until it is cleared in software by writing a logic 0 to the bit. Note that if BOE is unprogrammed, BOF is meaningless. If BOE is programmed, and a initial power-on occurs, BOF will be set in addition to the power-on flag (POF - RSTSRC.4).

For correct activation of Brownout Detect, certain V_{DD} rise and fall times must be observed. Please see the data sheet for specifications.

Table 26. Brownout options^[1]

BOE (UCFG1.5)	PMOD1/ PMOD0 (PCON[1:0])	BOPD (PCON.5)	BOI (PCON.4)	EBO (IEN0.5)	EA (IEN0.7)	Description
0 (erased)	XX	X	X	X	X	Brownout disabled. V _{DD} operating range is 2.4 V to 3.6 V.
1(program med)	11 (total power-down)	X	X	X	X	
	≠ 11 (any mode other than total power-down)	1 (brownout detect power-down)	X	X	X	Brownout disabled. V _{DD} operating range is 2.4 V to 3.6 V. However, BOPD is default to logic 0 upon power-up.
		0 (brownout detect active)	0 (brownout detect generates reset)	X	X	Brownout reset enabled. V _{DD} operating range is 2.7 V to 3.6 V. Upon a brownout reset, BOF (RSTSRC.5) will be set to indicate the reset source. BOF can be cleared by writing a logic 0 to the bit.
		1 (brownout detect generates an interrupt)	1 (enable brownout interrupt)	1 (global interrupt enable)		Brownout interrupt enabled. V _{DD} operating range is 2.7 V to 3.6 V. Upon a brownout interrupt, BOF (RSTSRC.5) will be set. BOF can be cleared by writing a logic 0 to the bit.
			0	X		Both brownout reset and interrupt disabled. V _{DD} operating range is 2.4 V to 3.6 V. However, BOF (RSTSRC.5) will be set when V _{DD} falls to the Brownout Detection trip point. BOF can be cleared by writing a logic 0 to the bit.
		X	0			

[1] Cannot be used with operation above 12 MHz as this requires V_{DD} of 3.0 V or above.

6.2 Power-on detection

The Power-On Detect has a function similar to the Brownout Detect, but is designed to work as power initially comes up, before the power supply voltage reaches a level where the Brownout Detect can function. The POF flag (RSTSRC.4) is set to indicate an initial power-on condition. The POF flag will remain set until cleared by software by writing a logic 0 to the bit. Note that if BOE (UCFG1.5) is programmed, BOF (RSTSRC.5) will be set when POF is set. If BOE is unprogrammed, BOF is meaningless.

6.3 Power reduction modes

The P89LPC952/954 supports three different power reduction modes as determined by SFR bits PCON[1:0] (see [Table 27](#)).

Table 27. Power reduction modes

PMOD1 (PCON.1)	PMOD0 (PCON.0)	Description
0	0	Normal mode (default) - no power reduction.
0	1	Idle mode. The Idle mode leaves peripherals running in order to allow them to activate the processor when an interrupt is generated. Any enabled interrupt source or reset may terminate Idle mode.
1	0	<p>Power-down mode:</p> <p>The Power-down mode stops the oscillator in order to minimize power consumption.</p> <p>The P89LPC952/954 exits Power-down mode via any reset, or certain interrupts - external pins $\overline{\text{INT0}}/\text{INT1}$, brownout Interrupt, keyboard, Real-time Clock/System Timer), watchdog, and comparator trips. Waking up by reset is only enabled if the corresponding reset is enabled, and waking up by interrupt is only enabled if the corresponding interrupt is enabled and the EA SFR bit (IEN0.7) is set. External interrupts should be programmed to level-triggered mode to be used to exit Power-down mode.</p> <p>In Power-down mode the internal RC oscillator is disabled unless both the RC oscillator has been selected as the system clock AND the RTC is enabled.</p> <p>In Power-down mode, the power supply voltage may be reduced to the RAM keep-alive voltage VRAM. This retains the RAM contents at the point where Power-down mode was entered. SFR contents are not guaranteed after V_{DD} has been lowered to VRAM, therefore it is recommended to wake-up the processor via Reset in this situation. V_{DD} must be raised to within the operating range before the Power-down mode is exited.</p> <p>When the processor wakes up from Power-down mode, it will start the oscillator immediately and begin execution when the oscillator is stable. Oscillator stability is determined by counting 1024 CPU clocks after start-up when one of the crystal oscillator configurations is used, or 256 clocks after start-up for the internal RC or external clock input configurations.</p> <p>Some chip functions continue to operate and draw power during Power-down mode, increasing the total power used during power-down. These include:</p> <ul style="list-style-type: none"> • Brownout Detect • Watchdog Timer if WDCLK (WDCON.0) is logic 1. • Comparators (Note: Comparators can be powered down separately with PCONA.5 set to logic 1 and comparators disabled); • Real-time Clock/System Timer (and the crystal oscillator circuitry if this block is using it, unless RTCPD, i.e., PCONA.7 is logic 1).
1	1	<p>Total Power-down mode: This is the same as Power-down mode except that the Brownout Detection circuitry and the voltage comparators are also disabled to conserve additional power. Note that a brownout reset or interrupt will not occur. Voltage comparator interrupts and Brownout interrupt cannot be used as a wake-up source. The internal RC oscillator is disabled unless both the RC oscillator has been selected as the system clock AND the RTC is enabled.</p> <p>The following are the wake-up options supported:</p> <ul style="list-style-type: none"> • Watchdog Timer if WDCLK (WDCON.0) is logic 1. Could generate Interrupt or Reset, either one can wake up the device • External interrupts $\overline{\text{INT0}}/\text{INT1}$ (when programmed to level-triggered mode). • Keyboard Interrupt • Real-time Clock/System Timer (and the crystal oscillator circuitry if this block is using it, unless RTCPD, i.e., PCONA.7 is logic 1). <p>Note: Using the internal RC-oscillator to clock the RTC during power-down may result in relatively high power consumption. Lower power consumption can be achieved by using an external low frequency clock when the Real-time Clock is running during power-down.</p>

Table 28. Power Control register (PCON - address 87h) bit allocation

Bit	7	6	5	4	3	2	1	0
Symbol	SMOD1	SMOD0	BOPD	BOI	GF1	GF0	PMOD1	PMOD0
Reset	0	0	0	0	0	0	0	0

Table 29. Power Control register (PCON - address 87h) bit description

Bit	Symbol	Description
0	PMOD0	Power Reduction Mode (see Section 6.3)
1	PMOD1	
2	GF0	General Purpose Flag 0. May be read or written by user software, but has no effect on operation
3	GF1	General Purpose Flag 1. May be read or written by user software, but has no effect on operation
4	BOI	Brownout Detect Interrupt Enable. When logic 1, Brownout Detection will generate a interrupt. When logic 0, Brownout Detection will cause a reset
5	BOPD	Brownout Detect power-down. When logic 1, Brownout Detect is powered down and therefore disabled. When logic 0, Brownout Detect is enabled. (Note: BOPD must be logic 0 before any programming or erasing commands can be issued. Otherwise these commands will be aborted.)
6	SMOD0	Framing Error Location: <ul style="list-style-type: none"> When logic 0, bit 7 of SCON is accessed as SM0 for the UART. When logic 1, bit 7 of SCON is accessed as the framing error status (FE) for the UART
7	SMOD1	Double Baud Rate bit for the serial port (UART) when Timer 1 is used as the baud rate source. When logic 1, the Timer 1 overflow rate is supplied to the UART. When logic 0, the Timer 1 overflow rate is divided by two before being supplied to the UART. (See Section 10)

Table 30. Power Control register A (PCONA - address B5h) bit allocation

Bit	7	6	5	4	3	2	1	0
Symbol	RTCPD	DEEPD	VCPD	ADPD	I2PD	SPPD	SPD	-
Reset	0	0	0	0	0	0	0	0

Table 31. Power Control register A (PCONA - address B5h) bit description

Bit	Symbol	Description
0	-	Not used.
1	SPD	Serial Port (UART) power-down: When logic 1, the internal clock to the UART is disabled. Note that in either Power-down mode or Total Power-down mode, the UART clock will be disabled regardless of this bit.
2	SPPD	SPI power-down: When logic 1, the internal clock to the SPI is disabled. Note that in either Power-down mode or Total Power-down mode, the SPI clock will be disabled regardless of this bit.
3	I2PD	I ² C power-down: When logic 1, the internal clock to the I ² C-bus is disabled. Note that in either Power-down mode or Total Power-down mode, the I ² C clock will be disabled regardless of this bit.
4	ADPD	A/D converter power-down: When logic 1, the ADC is powered down.

Table 31. Power Control register A (PCONA - address B5h) bit description ...continued

Bit	Symbol	Description
5	VCPD	Analog Voltage Comparators power-down: When logic 1, the voltage comparators are powered down. User must disable the voltage comparators prior to setting this bit.
6	DEEPD	Data EEPROM power-down: When logic 1, the Data EEPROM is powered down. Note that in either Power-down mode or Total Power-down mode, the Data EEPROM will be powered down regardless of this bit.
7	RTCPD	Real-time Clock power-down: When logic 1, the internal clock to the Real-time Clock is disabled.

7. Reset

The P1.5/ $\overline{\text{RST}}$ pin can function as either a digital input (P1.5), an active-LOW reset input with an internal pullup, a bidirectional reset input/output (open drain output with an internal pullup), or as push-pull reset output. These modes are selected by the RPE (Reset Pin Enable) bit in UCFG1 and the RPE1 (Reset Pin Enable 1) bit in UCFG2.

Table 32. Reset pin modes

P1.5/ $\overline{\text{RST}}$ mode	RPE1 (UCFG2.0)	RPE (UCFG1.6)
General purpose input	0	0
Reset input with pullup	0	1
Bidirectional reset input/output (open drain with pullup)	1	0
Reset output	1	1

Remark: During a power-up sequence, The RPE and RPE1 selection is overridden and this pin always functions as a reset input. **An external circuit connected to this pin should not hold this pin LOW during a power-on sequence as this will keep the device in reset.** After power-up this pin will function as defined by the RPE and RPE1 bits. Only a power-up reset will temporarily override the selection defined by RPE and RPE1 bits. Other sources of reset will not override the RPE and RPE1 bits.

Note: During a power cycle, V_{DD} must fall below V_{POR} (see *P89LPC952/954 data sheet, Static characteristics*) before power is reapplied, in order to ensure a power-on reset.

Note: When using an oscillator frequency above 12 MHz, the reset input function of P1.5 must be enabled. An external circuit is required to hold the device in reset at power-up until V_{DD} has reached its specified level. When system power is removed V_{DD} will fall below the minimum specified operating voltage. When using an oscillator frequency above 12 MHz, in some applications, an external brownout detect circuit may be required to hold the device in reset when V_{DD} falls below the minimum specified operating voltage.

Reset can be triggered from the following sources:

- External reset pin (during power-up or if user configured via UCFG1, UCFG2);
- Power-on detect;
- Brownout detect;
- Watchdog timer;
- Software reset;
- UART break character detect reset.

For every reset source, there is a flag in the Reset Register, RSTSRC. The user can read this register to determine the most recent reset source. These flag bits can be cleared in software by writing a '0' to the corresponding bit. More than one flag bit may be set:

- During a power-on reset, both POF and BOF are set but the other flag bits are cleared.
- For any other reset, previously set flag bits that have not been cleared will remain set.

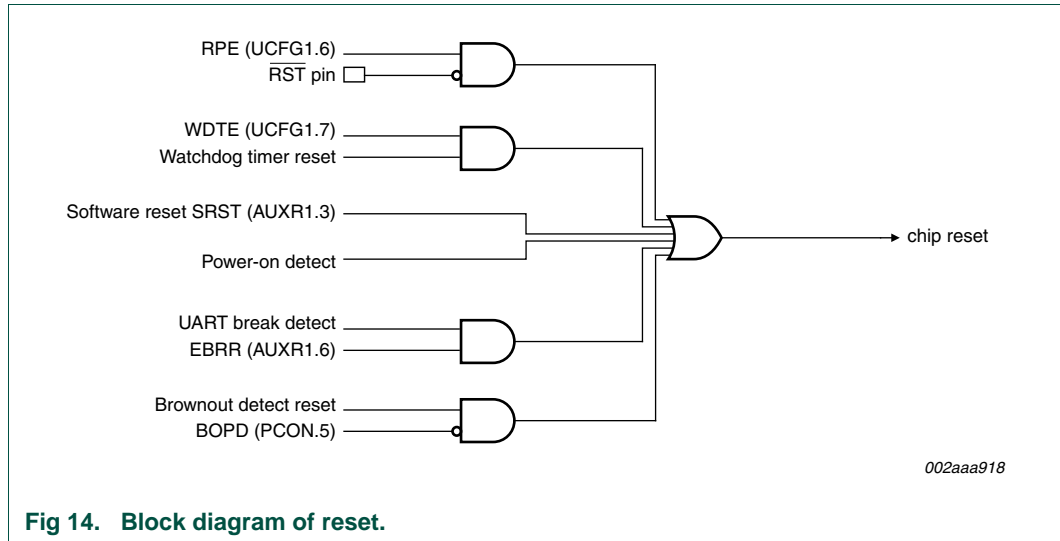


Fig 14. Block diagram of reset.

Table 33. Reset Sources register (RSTSRC - address DFh) bit allocation

Bit	7	6	5	4	3	2	1	0
Symbol	-	-	BOF	POF	R_BK	R_WD	R_SF	R_EX
Reset ^[1]	x	x	1	1	0	0	0	0

[1] The value shown is for a power-on reset. Other reset sources will set their corresponding bits.

Table 34. Reset Sources register (RSTSRC - address DFh) bit description

Bit	Symbol	Description
0	R_EX	external reset Flag. When this bit is logic 1, it indicates external pin reset. Cleared by software by writing a logic 0 to the bit or a Power-on reset. If \overline{RST} is still asserted after the Power-on reset is over, R_EX will be set.
1	R_SF	software reset Flag. Cleared by software by writing a logic 0 to the bit or a Power-on reset
2	R_WD	Watchdog Timer reset flag. Cleared by software by writing a logic 0 to the bit or a Power-on reset.(NOTE: UCFG1.7 must be = 1)
3	R_BK	break detect reset. If a break detect occurs and EBRR (AUXR1.6) is set to logic 1, a system reset will occur. This bit is set to indicate that the system reset is caused by a break detect. Cleared by software by writing a logic 0 to the bit or on a Power-on reset.
4	POF	Power-on Detect Flag. When Power-on Detect is activated, the POF flag is set to indicate an initial power-up condition. The POF flag will remain set until cleared by software by writing a logic 0 to the bit. (Note: On a Power-on reset, both BOF and this bit will be set while the other flag bits are cleared.)
5	BOF	Brownout Detect Flag. When Brownout Detect is activated, this bit is set. It will remain set until cleared by software by writing a logic 0 to the bit. (Note: On a Power-on reset, both POF and this bit will be set while the other flag bits are cleared.)
6:7	-	reserved

7.1 Reset vector

Following reset, the P89LPC952/954 will fetch instructions from either address 0000h or the Boot address. The Boot address is formed by using the Boot Vector as the high byte of the address and the low byte of the address = 00h. The Boot address will be used if a UART break reset occurs or the non-volatile Boot Status bit (BOOTSTAT.0) = 1, or the device has been forced into ISP mode. Otherwise, instructions will be fetched from address 0000H.

8. Timers 0 and 1

The P89LPC952/954 has two general-purpose counter/timers which are upward compatible with the 80C51 Timer 0 and Timer 1. Both can be configured to operate either as timers or event counters (see [Table 36](#)). An option to automatically toggle the Tx pin upon timer overflow has been added.

In the 'Timer' function, the timer is incremented every PCLK.

In the 'Counter' function, the register is incremented in response to a 1-to-0 transition on its corresponding external input pin (T0 or T1). The external input is sampled once during every machine cycle. When the pin is high during one cycle and low in the next cycle, the count is incremented. The new count value appears in the register during the cycle following the one in which the transition was detected. Since it takes two machine cycles (four CPU clocks) to recognize a 1-to-0 transition, the maximum count rate is 1/4 of the CPU clock frequency. There are no restrictions on the duty cycle of the external input signal, but to ensure that a given level is sampled at least once before it changes, it should be held for at least one full machine cycle.

The 'Timer' or 'Counter' function is selected by control bits TnC/T̄ (x = 0 and 1 for Timers 0 and 1 respectively) in the Special Function Register TMOD. Timer 0 and Timer 1 have five operating modes (modes 0, 1, 2, 3 and 6), which are selected by bit-pairs (TnM1, TnM0) in TMOD and TnM2 in TAMOD. Modes 0, 1, 2 and 6 are the same for both Timers/Counters. Mode 3 is different. The operating modes are described later in this section.

Table 35. Timer/Counter Mode register (TMOD - address 89h) bit allocation

Bit	7	6	5	4	3	2	1	0
Symbol	T1GATE	T1C/T̄	T1M1	T1M0	T0GATE	T0C/T̄	T0M1	T0M0
Reset	0	0	0	0	0	0	0	0

Table 36. Timer/Counter Mode register (TMOD - address 89h) bit description

Bit	Symbol	Description
0	T0M0	Mode Select for Timer 0. These bits are used with the T0M2 bit in the TAMOD register to determine the Timer 0 mode (see Table 38).
1	T0M1	Timer 0 mode (see Table 38).
2	T0C/T̄	Timer or Counter selector for Timer 0. Cleared for Timer operation (input from CCLK). Set for Counter operation (input from T0 input pin).
3	T0GATE	Gating control for Timer 0. When set, Timer/Counter is enabled only while the INT0 pin is high and the TR0 control pin is set. When cleared, Timer 0 is enabled when the TR0 control bit is set.

Table 36. Timer/Counter Mode register (TMOD - address 89h) bit description ...continued

Bit	Symbol	Description
4	T1M0	Mode Select for Timer 1. These bits are used with the T1M2 bit in the TAMOD register to determine the Timer 1 mode (see Table 38).
5	T1M1	
6	T1C/T	Timer or Counter Selector for Timer 1. Cleared for Timer operation (input from CCLK). Set for Counter operation (input from T1 input pin).
7	T1GATE	Gating control for Timer 1. When set, Timer/Counter is enabled only while the $\overline{\text{INT1}}$ pin is high and the TR1 control pin is set. When cleared, Timer 1 is enabled when the TR1 control bit is set.

Table 37. Timer/Counter Auxiliary Mode register (TAMOD - address 8Fh) bit allocation

Bit	7	6	5	4	3	2	1	0
Symbol	--	-	-	T1M2	-	-	-	T0M2
Reset	x	x	x	0	x	x	x	0

Table 38. Timer/Counter Auxiliary Mode register (TAMOD - address 8Fh) bit description

Bit	Symbol	Description
0	T0M2	Mode Select for Timer 0. These bits are used with the T0M2 bit in the TAMOD register to determine the Timer 0 mode (see Table 38).
1:3	-	reserved
4	T1M2	Mode Select for Timer 1. These bits are used with the T1M2 bit in the TAMOD register to determine the Timer 1 mode (see Table 38).
<p>The following timer modes are selected by timer mode bits TnM[2:0]:</p> <p>000 — 8048 Timer 'TLn' serves as 5-bit prescaler. (Mode 0)</p> <p>001 — 16-bit Timer/Counter 'THn' and 'TLn' are cascaded; there is no prescaler.(Mode 1)</p> <p>010 — 8-bit auto-reload Timer/Counter. THn holds a value which is loaded into TLn when it overflows. (Mode 2)</p> <p>011 — Timer 0 is a dual 8-bit Timer/Counter in this mode. TL0 is an 8-bit Timer/Counter controlled by the standard Timer 0 control bits. TH0 is an 8-bit timer only, controlled by the Timer 1 control bits (see text). Timer 1 in this mode is stopped. (Mode 3)</p> <p>100 — Reserved. User must not configure to this mode.</p> <p>101 — Reserved. User must not configure to this mode.</p> <p>110 — PWM mode (see Section 8.5).</p> <p>111 — Reserved. User must not configure to this mode.</p>		
5:7	-	reserved

8.1 Mode 0

Putting either Timer into Mode 0 makes it look like an 8048 Timer, which is an 8-bit Counter with a divide-by-32 prescaler. [Figure 15](#) shows Mode 0 operation.

In this mode, the Timer register is configured as a 13-bit register. As the count rolls over from all 1s to all 0s, it sets the Timer interrupt flag TF_n. The count input is enabled to the Timer when TR_n = 1 and either TnGATE = 0 or $\overline{\text{INTn}}$ = 1. (Setting TnGATE = 1 allows the Timer to be controlled by external input $\overline{\text{INTn}}$, to facilitate pulse width measurements). TR_n is a control bit in the Special Function Register TCON ([Table 40](#)). The TnGATE bit is in the TMOD register.

The 13-bit register consists of all 8 bits of THn and the lower 5 bits of TLn. The upper 3 bits of TLn are indeterminate and should be ignored. Setting the run flag (TRn) does not clear the registers.

Mode 0 operation is the same for Timer 0 and Timer 1. See [Figure 15](#). There are two different GATE bits, one for Timer 1 (TMOD.7) and one for Timer 0 (TMOD.3).

8.2 Mode 1

Mode 1 is the same as Mode 0, except that all 16 bits of the timer register (THn and TLn) are used. See [Figure 16](#).

8.3 Mode 2

Mode 2 configures the Timer register as an 8-bit Counter (TLn) with automatic reload, as shown in [Figure 17](#). Overflow from TLn not only sets TFn, but also reloads TLn with the contents of THn, which must be preset by software. The reload leaves THn unchanged. Mode 2 operation is the same for Timer 0 and Timer 1.

8.4 Mode 3

When Timer 1 is in Mode 3 it is stopped. The effect is the same as setting TR1 = 0.

Timer 0 in Mode 3 establishes TL0 and TH0 as two separate 8-bit counters. The logic for Mode 3 on Timer 0 is shown in [Figure 18](#). TL0 uses the Timer 0 control bits: T0C/T, T0GATE, TR0, INT0, and TF0. TH0 is locked into a timer function (counting machine cycles) and takes over the use of TR1 and TF1 from Timer 1. Thus, TH0 now controls the 'Timer 1' interrupt.

Mode 3 is provided for applications that require an extra 8-bit timer. With Timer 0 in Mode 3, an P89LPC952/954 device can look like it has three Timer/Counters.

Note: When Timer 0 is in Mode 3, Timer 1 can be turned on and off by switching it into and out of its own Mode 3. It can still be used by the serial port as a baud rate generator, or in any application not requiring an interrupt.

8.5 Mode 6

In this mode, the corresponding timer can be changed to a PWM with a full period of 256 timer clocks (see [Figure 19](#)). Its structure is similar to mode 2, except that:

- TFn (n = 0 and 1 for Timers 0 and 1 respectively) is set and cleared in hardware;
- The low period of the TFn is in THn, and should be between 1 and 254, and;
- The high period of the TFn is always 256–THn.
- Loading THn with 00h will force the Tx pin high, loading THn with FFh will force the Tx pin low.

Note that interrupt can still be enabled on the low to high transition of TFn, and that TFn can still be cleared in software like in any other modes.

Table 39. Timer/Counter Control register (TCON) - address 88h) bit allocation

Bit	7	6	5	4	3	2	1	0
Symbol	TF1	TR1	TF0	TR0	IE1	IT1	IE0	IT0
Reset	0	0	0	0	0	0	0	0

Table 40. Timer/Counter Control register (TCON - address 88h) bit description

Bit	Symbol	Description
0	IT0	Interrupt 0 Type control bit. Set/cleared by software to specify falling edge/low level triggered external interrupts.
1	IE0	Interrupt 0 Edge flag. Set by hardware when external interrupt 0 edge is detected. Cleared by hardware when the interrupt is processed, or by software.
2	IT1	Interrupt 1 Type control bit. Set/cleared by software to specify falling edge/low level triggered external interrupts.
3	IE1	Interrupt 1 Edge flag. Set by hardware when external interrupt 1 edge is detected. Cleared by hardware when the interrupt is processed, or by software.
4	TR0	Timer 0 Run control bit. Set/cleared by software to turn Timer/Counter 0 on/off.
5	TF0	Timer 0 overflow flag. Set by hardware on Timer/Counter overflow. Cleared by hardware when the processor vectors to the interrupt routine, or by software. (except in mode 6, where it is cleared in hardware)
6	TR1	Timer 1 Run control bit. Set/cleared by software to turn Timer/Counter 1 on/off
7	TF1	Timer 1 overflow flag. Set by hardware on Timer/Counter overflow. Cleared by hardware when the interrupt is processed, or by software (except in mode 6, see above, when it is cleared in hardware).

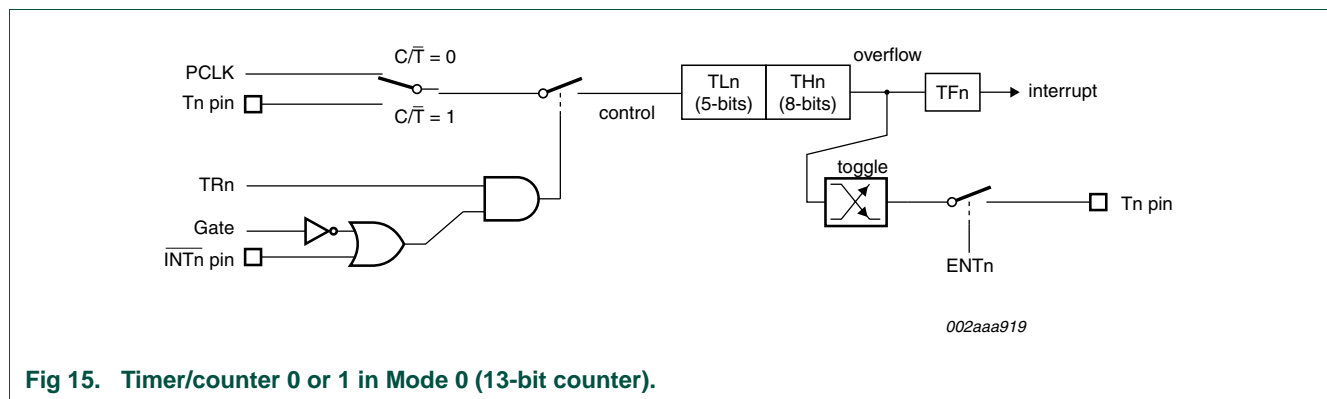


Fig 15. Timer/counter 0 or 1 in Mode 0 (13-bit counter).

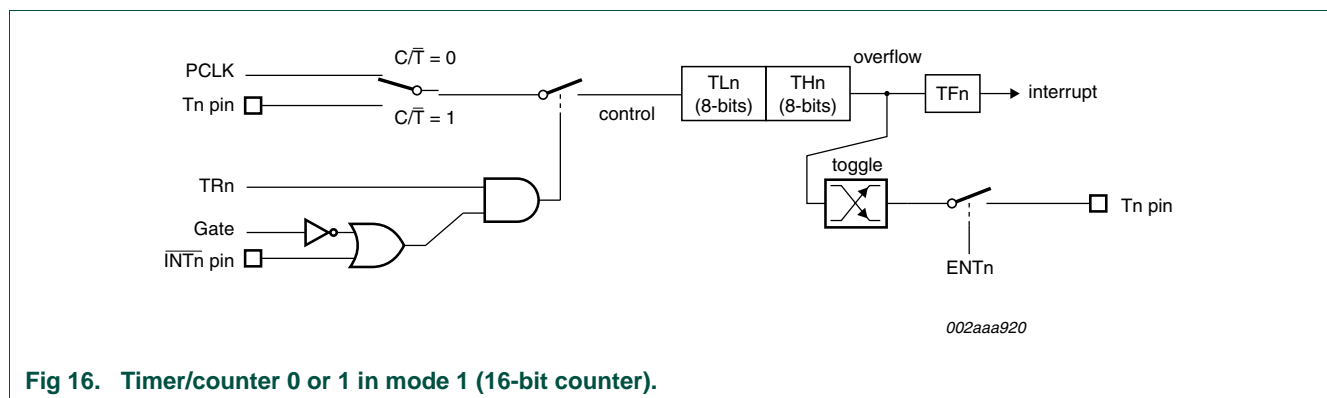


Fig 16. Timer/counter 0 or 1 in mode 1 (16-bit counter).

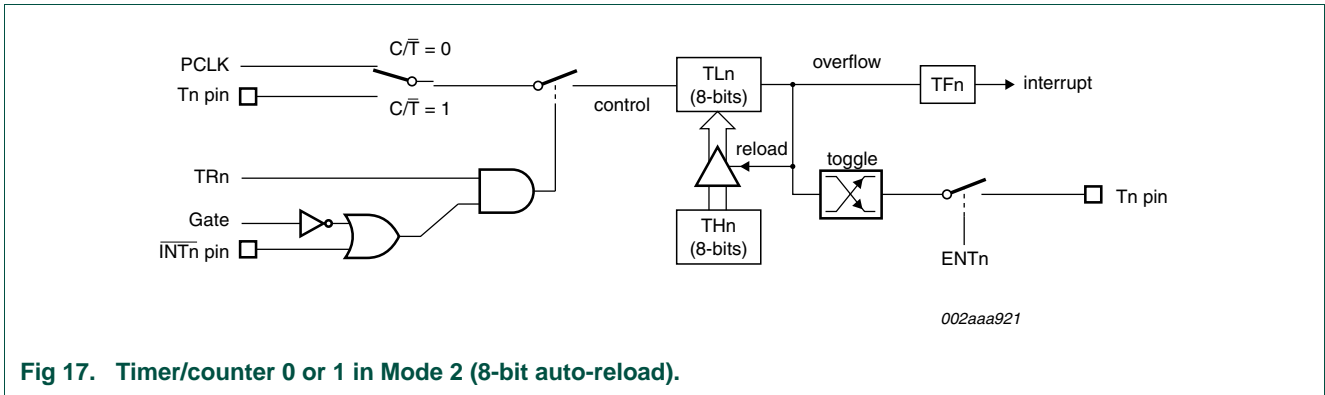


Fig 17. Timer/counter 0 or 1 in Mode 2 (8-bit auto-reload).

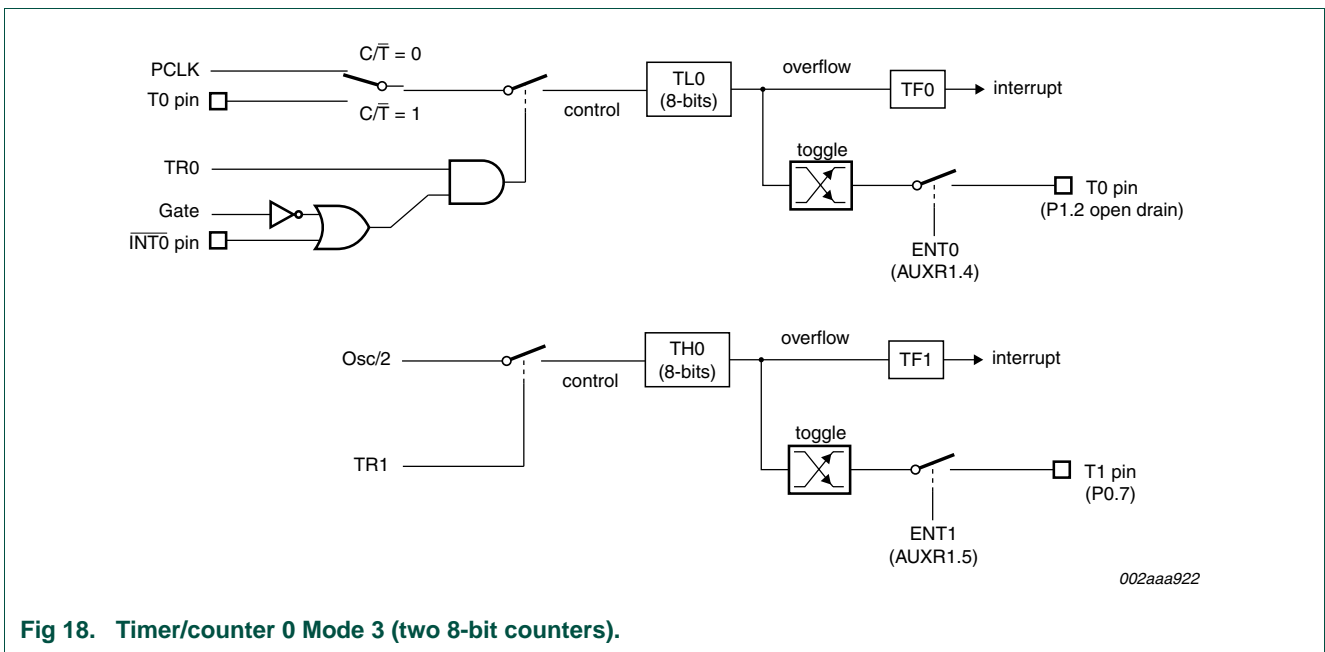


Fig 18. Timer/counter 0 Mode 3 (two 8-bit counters).

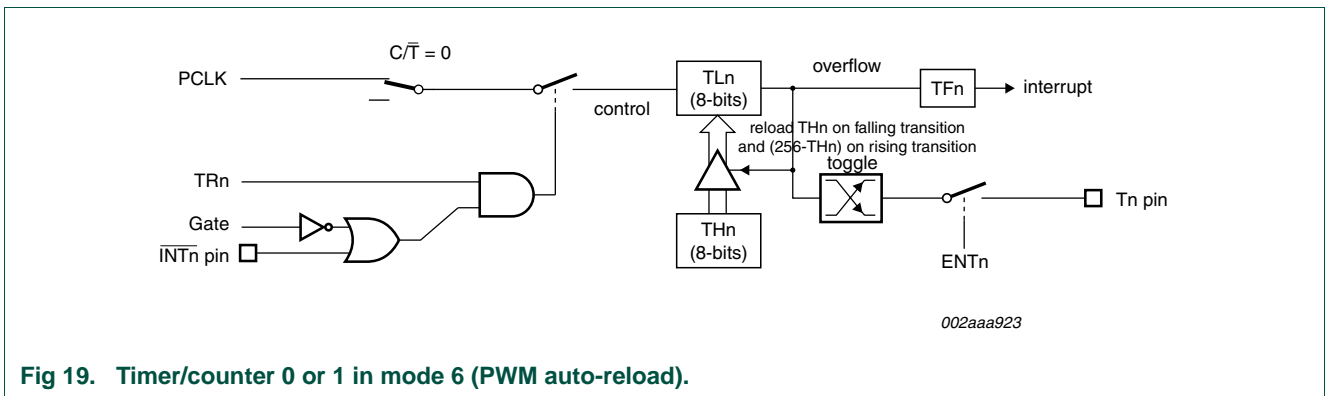


Fig 19. Timer/counter 0 or 1 in mode 6 (PWM auto-reload).

8.6 Timer overflow toggle output

Timers 0 and 1 can be configured to automatically toggle a port output whenever a timer overflow occurs. The same device pins that are used for the T0 and T1 count inputs and PWM outputs are also used for the timer toggle outputs. This function is enabled by

control bits ENT0 and ENT1 in the AUXR1 register, and apply to Timer 0 and Timer 1 respectively. The port outputs will be a logic 1 prior to the first timer overflow when this mode is turned on. In order for this mode to function, the C/T bit must be cleared selecting PCLK as the clock source for the timer.

9. Real-time clock system timer

The P89LPC952/954 has a simple Real-time Clock/System Timer that allows a user to continue running an accurate timer while the rest of the device is powered down. The Real-time Clock can be an interrupt or a wake-up source (see [Figure 20](#)).

The Real-time Clock is a 23-bit down counter. The clock source for this counter can be either the CPU clock (CCLK) or the XTAL1-2 oscillator, provided that the XTAL1-2 oscillator is not being used as the CPU clock. If the XTAL1-2 oscillator is used as the CPU clock, then the RTC will use CCLK as its clock source regardless of the state of the RTCS1:0 in the RTCCON register. There are three SFRs used for the RTC:

RTCCON — Real-time Clock control.

RTCH — Real-time Clock counter reload high (bits 22 to 15).

RTCL — Real-time Clock counter reload low (bits 14 to 7).

The Real-time clock system timer can be enabled by setting the RTCEN (RTCCON.0) bit. The Real-time Clock is a 23-bit down counter (initialized to all 0's when RTCEN = 0) that is comprised of a 7-bit prescaler and a 16-bit loadable down counter. When RTCEN is written with logic 1, the counter is first loaded with (RTCH, RTCL, '111111') and will count down. When it reaches all 0's, the counter will be reloaded again with (RTCH, RTCL, '111111') and a flag - RTCF (RTCCON.7) - will be set.

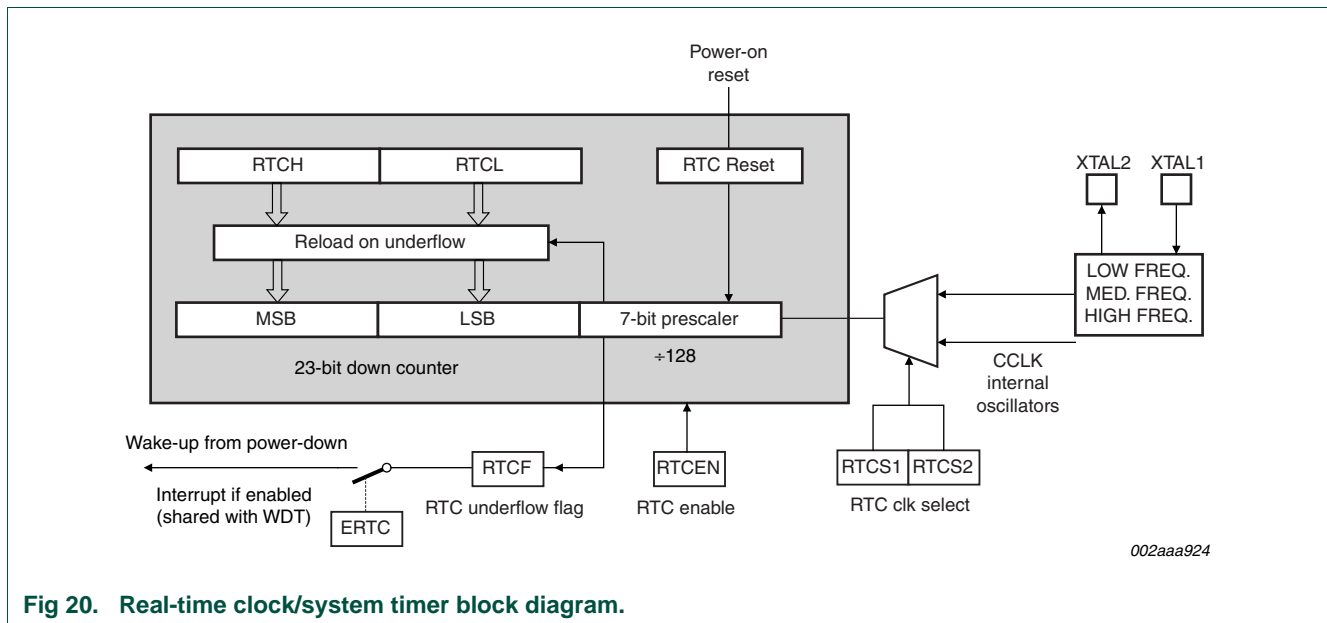


Fig 20. Real-time clock/system timer block diagram.

9.1 Real-time clock source

RTCS1/RTCS0 (RTCCON[6:5]) are used to select the clock source for the RTC if either the Internal RC oscillator or the internal WD oscillator is used as the CPU clock. If the internal crystal oscillator or the external clock input on XTAL1 is used as the CPU clock, then the RTC will use CCLK as its clock source.

9.2 Changing RTCS1/RTCS0

RTCS1/RTCS0 cannot be changed if the RTC is currently enabled (RTCCON.0 = 1). Setting RTCEN and updating RTCS1/RTCS0 may be done in a single write to RTCCON. However, if RTCEN = 1, this bit must first be cleared before updating RTCS1/RTCS0.

9.3 Real-time clock interrupt/wake-up

If ERTC (RTCCON.1), EWDRT (IEN1.0.6) and EA (IEN0.7) are set to logic 1, RTCF can be used as an interrupt source. This interrupt vector is shared with the watchdog timer. It can also be a source to wake-up the device.

9.4 Reset sources affecting the Real-time clock

Only power-on reset will reset the Real-time Clock and its associated SFRs to their default state.

Table 41. Real-time Clock/System Timer clock sources

FOSC2:0	RCCLK	RTCS1:0	RTC clock source	CPU clock source
000	0	00	High frequency crystal	High frequency crystal /DIVM
		01		
		10		
		11		
	1	00	High frequency crystal	Internal RC oscillator
		01		
		10		
		11		
001	0	00	Medium frequency crystal	Medium frequency crystal /DIVM
		01		
		10		
		11		
	1	00	Medium frequency crystal	Internal RC oscillator
		01		
		10		
		11		

Table 41. Real-time Clock/System Timer clock sources ...continued

FOSC2:0	RCCLK	RTCS1:0	RTC clock source	CPU clock source
010	0	00	Low frequency crystal /DIV	Low frequency crystal /DIVM
		01		
		10		
		11		
	1	00	Low frequency crystal /DIV	Internal RC oscillator
		01		
		10		
		11		
011	0	00	High frequency crystal /DIVM	Internal RC oscillator /DIVM
		01		
		10		
		11		
	1	00	High frequency crystal	Internal RC oscillator
		01		
		10		
		11		
100	0	00	High frequency crystal /DIVM	Watchdog oscillator /DIVM
		01		
		10		
		11		
	1	00	High frequency crystal	Internal RC oscillator
		01		
		10		
		11		
101	x	xx	undefined	undefined
110	x	xx	undefined	undefined
111	0	00	External clock input /DIVM	External clock input /DIVM
		01		
		10		
		11		
	1	00	External clock input	Internal RC oscillator
		01		
		10		
		11		

Table 42. Real-time Clock Control register (RTCCON - address D1h) bit allocation

Bit	7	6	5	4	3	2	1	0
Symbol	RTCF	RTCS1	RTCS0	-	-	-	ERTC	RTCEN
Reset	0	1	1	x	x	x	0	0

Table 43. Real-time Clock Control register (RTCCON - address D1h) bit description

Bit	Symbol	Description
0	RTCEN	Real-time Clock enable. The Real-time Clock will be enabled if this bit is logic 1. Note that this bit will not power-down the Real-time Clock. The RTCPD bit (PCONA.7) if set, will power-down and disable this block regardless of RTCEN.
1	ERTC	Real-time Clock interrupt enable. The Real-time Clock shares the same interrupt as the watchdog timer. Note that if the user configuration bit WDTE (UCFG1.7) is logic 0, the watchdog timer can be enabled to generate an interrupt. Users can read the RTCF (RTCCON.7) bit to determine whether the Real-time Clock caused the interrupt.
2:4	-	reserved
5	RTCS0	Real-time Clock source select (see Table 41).
6	RTCS1	
7	RTCF	Real-time Clock Flag. This bit is set to logic 1 when the 23-bit Real-time Clock reaches a count of logic 0. It can be cleared in software.

10. UARTs

The P89LPC952/954 has two enhanced UARTs that are compatible with the conventional 80C51 UART except that Timer 2 overflow cannot be used as a baud rate source. The P89LPC952/954 does include an independent Baud Rate Generator for each UART. The baud rate can be selected from the oscillator (divided by a constant), Timer 1 overflow, or the independent Baud Rate Generator. In addition to the baud rate generation, enhancements over the standard 80C51 UART include Framing Error detection, break detect, automatic address recognition, selectable double buffering and several interrupt options.

The UART can be operated in 4 modes, as described in the following sections.

10.1 Mode 0

Serial data enters and exits through RXDn. TXDn outputs the shift clock. 8 bits are transmitted or received, LSB first. The baud rate is fixed at $\frac{1}{16}$ of the CPU clock frequency.

10.2 Mode 1

10 bits are transmitted (through TXDn) or received (through RXDn): a start bit (logic 0), 8 data bits (LSB first), and a stop bit (logic 1). When data is received, the stop bit is stored in RB8 in Special Function Register SnCON. The baud rate is variable and is determined by the Timer 1 overflow rate or the Baud Rate Generator (see [Section 10.6 "Baud Rate generator and selection" on page 57](#)).

10.3 Mode 2

11 bits are transmitted (through TXDn) or received (through RXDn): start bit (logic 0), 8 data bits (LSB first), a programmable 9th data bit, and a stop bit (logic 1). When data is transmitted, the 9th data bit (TB8 in SnCON) can be assigned the value of 0 or 1. Or, for example, the parity bit (P, in the PSW) could be moved into TB8. When data is received,

the 9th data bit goes into RB8_n in Special Function Register SnCON and the stop bit is not saved. The baud rate is programmable to either $\frac{1}{16}$ or $\frac{1}{32}$ of the CCLK frequency, as determined by the SMOD1 bit in PCON. The SMOD1 bit is used by both UARTs.

10.4 Mode 3

11 bits are transmitted (through TXDn) or received (through RXDn): a start bit (logic 0), 8 data bits (LSB first), a programmable 9th data bit, and a stop bit (logic 1). Mode 3 is the same as Mode 2 in all respects except baud rate. The baud rate in Mode 3 is variable and is determined by the Timer 1 overflow rate or the Baud Rate Generator (see [Section 10.6 “Baud Rate generator and selection” on page 57](#)).

In all four modes, transmission is initiated by any instruction that uses SnBUF as a destination register. Reception is initiated in Mode 0 by the condition RI_n = 0 and REN_n = 1. Reception is initiated in the other modes by the incoming start bit if REN_n = 1.

10.5 SFR space

The UART SFRs are at the following locations:

Table 44. UART SFR addresses

Register	Description	SFR location
PCON	Power Control	87H
S0CON	Serial Port (UART0) Control	98H
S0BUF	Serial Port (UART0) Data Buffer	99H
S0ADDR	Serial Port (UART0) Address	A9H
S0ADEN	Serial Port (UART0) Address Enable	B9H
S0STAT	Serial Port (UART0) Status	BAH
BRGR1_0	Baud Rate Generator 0 High Byte	BFH
BRGR0_0	Baud Rate Generator 0 Low Byte	BEH
BRGCON_0	Baud Rate Generator 0 Control	BDH
S1CON	Serial Port (UART1) Control	B5H
S1BUF	Serial Port (UART1) Data Buffer	FFB0H
S1ADDR	Serial Port (UART1) Address	FFB2H
S1ADEN	Serial Port (UART1) Address Enable	FFB1H
S1STAT	Serial Port (UART1) Status	D4H
BRGR1_1	Baud Rate Generator 1 Rate High Byte	FFB5H
BRGR0_1	Baud Rate Generator 1 Rate Low Byte	FFB4H
BRGCON_1	Baud Rate Generator 1 Control	FFB3H

10.6 Baud Rate generator and selection

The P89LPC952/954 enhanced UART has an independent Baud Rate Generator. The baud rate is determined by a value programmed into the BRGR1_n and BRGR0_n SFRs. Each UART can use either Timer 1 or the baud rate generator output as determined by BRGCON_n[2:1] (see [Figure 21](#)). Note that Timer T1 is further divided by 2 if the SMOD1 bit (PCON.7) is set (and thus applies to both UARTs). The independent Baud Rate Generator uses CCLK.

10.7 Updating the BRGR1 and BRGR0 SFRs

The baud rate SFRs, BRGR1_n and BRGR0_n must only be loaded when the Baud Rate Generator is disabled (the BRGEN_0 bit in the BRGCON_n register is logic 0). This avoids the loading of an interim value to the baud rate generator. **(CAUTION: If either BRGR0_n or BRGR1_n is written when BRGEN_n = 1, the result is unpredictable.)**

Table 45. UART baud rate generation

SnCON.7 (SM0)	SnCON.6 (SM1)	PCON.7 (SMOD1)	BRGCON_n .1 (SBRGS)	Receive/transmit baud rate for UART
0	0	X	X	$CCLK/_{16}$
0	1	0	0	$CCLK/_{(256-TH1)64}$
		1	0	$CCLK/_{(256-TH1)32}$
		X	1	$CCLK/_{((BRGR1_n, BRGR0_n)+16)}$
1	0	0	X	$CCLK/_{32}$
		1	X	$CCLK/_{16}$
1	1	0	0	$CCLK/_{(256-TH1)64}$
		1	0	$CCLK/_{(256-TH1)32}$
		X	1	$CCLK/_{((BRGR1_n, BRGR0_n)+16)}$

Table 46. Baud Rate Generator Control register (BRGCON_0 - address BDh) bit allocation

Bit	7	6	5	4	3	2	1	0
Symbol	--	-	-	-	-	-	SBRGS_0	BRGEN_0
Reset	x	x	x	x	x	x	0	0

Table 47. Baud Rate Generator Control register (BRGCON - address BDh) bit description

Bit	Symbol	Description
0	BRGEN_0	Baud Rate Generator 0 Enable. Enables the baud rate generator. BRGR1_0 and BRGR0_0 can only be written when BRGEN_0 = 0.
1	SBRGS_0	Select Baud Rate Generator 0 as the source for baud rates to UART0 in modes 1 and 3 (see Table 45 for details)
2:7	-	reserved

Table 48. Baud Rate Generator Control register (BRGCON_1 - address FFB3h) bit allocation

Bit	7	6	5	4	3	2	1	0
Symbol	--	-	-	-	-	-	SBRGS_1	BRGEN_1
Reset	x	x	x	x	x	x	0	0

Table 49. Baud Rate Generator Control register (BRGCON_1 - address FFB3h) bit description

Bit	Symbol	Description
0	BRGEN_1	Baud Rate Generator 1 Enable. Enables the baud rate generator. BRGR1_1 and BRGR0_1 can only be written when BRGEN_1 = 0.
1	SBRGS_1	Select Baud Rate Generator 1 as the source for baud rates to UART1 in modes 1 and 3 (see Table 45 for details)
2:7	-	reserved

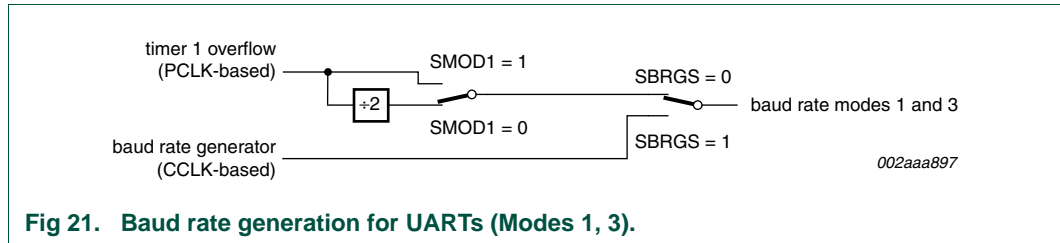


Fig 21. Baud rate generation for UARTs (Modes 1, 3).

10.8 Framing error

A Framing error occurs when the stop bit is sensed as a logic 0. A Framing error is reported in the status register (SnSTAT). In addition, if SMOD0 (PCON.6) is 1, framing errors can be made available in SnCON.7. If SMOD0 is 0, S0CON.7 is SM0_0 and S1CON is SM0_1. It is recommended that SM0_n and SM1_n (SnCON[7:6]) are programmed when SMOD0 is logic 0.

10.9 Break detect

A break detect is reported in the status register (SnSTAT). A break is detected when any 11 consecutive bits are sensed low. Since a break condition also satisfies the requirements for a framing error, a break condition will also result in reporting a framing error. Once a break condition has been detected, the UART will go into an idle state and remain in this idle state until a stop bit has been received. The break detect of UART0 can be used to reset the device and force the device into ISP mode by setting the EBRR bit (AUXR1.6). The break detect of UART1 cannot reset the device but can be used to generate an interrupt.

Table 50. Serial Port 0 Control register (S0CON - address 98h) bit allocation

Bit	7	6	5	4	3	2	1	0
Symbol	SM0_0/F E_0	SM1_0	SM2_0	REN_0	TB8_0	RB8_0	TI_0	RI_0
Reset	x	x	x	x	x	x	0	0

Table 51. Serial Port 0 Control register (S0CON - address 98h) bit description

Bit	Symbol	Description
0	RI_0	Receive interrupt flag 0. Set by hardware at the end of the 8th bit time in Mode 0, or approximately halfway through the stop bit time in Mode 1. For Mode 2 or Mode 3, if SMOD0, it is set near the middle of the 9th data bit (bit 8). If SMOD0 = 1, it is set near the middle of the stop bit (see SM2_0 - S0CON.5 - for exceptions). Must be cleared by software.
1	TI_0	Transmit interrupt flag 0. Set by hardware at the end of the 8th bit time in Mode 0, or at the stop bit (see description of INTLO_0 bit in S0STAT register) in the other modes. Must be cleared by software.
2	RB8_0	The 9th data bit that was received in Modes 2 and 3. In Mode 1 (SM2 must be 0), RB8_0 is the stop bit that was received. In Mode 0, RB_0 is undefined.
3	TB8_0	The 9th data bit that will be transmitted in Modes 2 and 3. Set or clear by software as desired.
4	REN_0	Enables serial reception. Set by software to enable reception. Clear by software to disable reception.

Table 51. Serial Port 0 Control register (S0CON - address 98h) bit description ...continued

Bit	Symbol	Description
5	SM2_0	Enables the multiprocessor communication feature in Modes 2 and 3. In Mode 2 or 3, if SM2 is set to 1, then RI will not be activated if the received 9th data bit (RB8) is 0. In Mode 0, SM2 should be 0. In Mode 1, SM2 must be 0.
6	SM1_0	With SM0 defines the serial port mode, see Table 54 .
7	SM0_0/ FE_0	The use of this bit is determined by SMOD0 in the PCON register. If SMOD0 = 0, this bit is read and written as SM0, which with SM1, defines the serial port mode. If SMOD0 = 1, this bit is read and written as FE (Framing Error). FE is set by the receiver when an invalid stop bit is detected. Once set, this bit cannot be cleared by valid frames but is cleared by software. (Note: UART0 mode bits SM0_0 and SM1_0 should be programmed when SMOD0 is logic 0 - default mode on any reset.)

Table 52. Serial Port 1 Control register (S1CON - address B5h) bit allocation

Bit	7	6	5	4	3	2	1	0
Symbol	SM0_0/F E_1	SM1_1	SM2_1	REN_1	TB8_1	RB8_1	TI_1	RI_1
Reset	x	x	x	x	x	x	0	0

Table 53. Serial Port 1 Control register (S1CON - address B5h) bit description

Bit	Symbol	Description
0	RI_1	Receive interrupt flag 1. Set by hardware at the end of the 8th bit time in Mode 0, or approximately halfway through the stop bit time in Mode 1. For Mode 2 or Mode 3, if SMOD0, it is set near the middle of the 9th data bit (bit 8). If SMOD0 = 1, it is set near the middle of the stop bit (see SM2_1 - S1CON.5 - for exceptions). Must be cleared by software.
1	TI_1	Transmit interrupt flag 1. Set by hardware at the end of the 8th bit time in Mode 0, or at the stop bit (see description of INTLO_1 bit in S1STAT register) in the other modes. Must be cleared by software.
2	RB8_1	The 9th data bit that was received in Modes 2 and 3. In Mode 1 (SM2 must be 0), RB8_1 is the stop bit that was received. In Mode 0, RB_1 is undefined.
3	TB8_1	The 9th data bit that will be transmitted in Modes 2 and 3. Set or clear by software as desired.
4	REN_1	Enables serial reception. Set by software to enable reception. Clear by software to disable reception.
5	SM2_1	Enables the multiprocessor communication feature in Modes 2 and 3. In Mode 2 or 3, if SM2 is set to 1, then RI_1 will not be activated if the received 9th data bit (RB8_1) is 0. In Mode 0, SM2_1 should be 0. In Mode 1, SM_1 must be 0.
6	SM1_1	With SM0_1 defines the serial port mode, see Table 54 .
7	SM0_1/ FE_1	The use of this bit is determined by SMOD0 in the PCON register. If SMOD0 = 0, this bit is read and written as SM0_1, which with SM1_1, defines the serial port mode. If SMOD0 = 1, this bit is read and written as FE_1 (Framing Error). FE_1 is set by the receiver when an invalid stop bit is detected. Once set, this bit cannot be cleared by valid frames but is cleared by software. (Note: UART1 mode bits SM0_1 and SM1_1 should be programmed when SMOD0 is logic 0 - default mode on any reset.)

Table 54. Serial Port modes

SM0_n, SM1_n	UART mode	UART baud rate
00	Mode 0: shift register	$CCLK/16$ (default mode on any reset)
01	Mode 1: 8-bit UART	Variable (see Table 45)
10	Mode 2: 9-bit UART	$CCLK/32$ or $CCLK/16$
11	Mode 3: 9-bit UART	Variable (see Table 45)

Table 55. Serial Port 0 Status register (S0STAT - address BAh) bit allocation

Bit	7	6	5	4	3	2	1	0
Symbol	DBMOD _0	INTLO_0	CIDIS_0	DBISEL_0	FE_0	BR_0	OE_0	STINT_0
Reset	x	x	x	x	x	x	0	0

Table 56. Serial Port 0 Status register (S0STAT - address BAh) bit description

Bit	Symbol	Description
0	STINT_0	Status Interrupt Enable 0. When set = 1, FE_0, BR_0, or OE_0 can cause an interrupt. The interrupt used (vector address 0023h) is shared with RI (CIDIS = 1) or the combined TI/RI (CIDIS = 0). When cleared = 0, FE_0, BR_0, OE_0 cannot cause an interrupt. (Note: FE_0, BR_0, or OE_0 is often accompanied by a RI_0, which will generate an interrupt regardless of the state of STINT_0). Note that BR_0 can cause a break detect reset if EBRR (AUXR1.6) is set to logic 1.
1	OE_0	Overrun Error 0 flag is set if a new character is received in the receiver buffer while it is still full (before the software has read the previous character from the buffer), i.e., when bit 8 of a new byte is received while RI_0 in S0CON is still set. Cleared by software.
2	BR_0	Break Detect 0 flag. A break is detected when any 11 consecutive bits are sensed low. Cleared by software.
3	FE_0	Framing error 0 flag is set when the receiver fails to see a valid STOP bit at the end of the frame. Cleared by software.
4	DBISEL_0	Double buffering transmit interrupt select 0. Used only if double buffering is enabled. This bit controls the number of interrupts that can occur when double buffering is enabled. When set, one transmit interrupt is generated after each character written to S0BUF, and there is also one more transmit interrupt generated at the beginning (INTLO_0 = 0) or the end (INTLO_0 = 1) of the STOP bit of the last character sent (i.e., no more data in buffer). This last interrupt can be used to indicate that all transmit operations are over. When cleared = 0, only one transmit interrupt is generated per character written to S0BUF. Must be logic 0 when double buffering is disabled. Note that except for the first character written (when buffer is empty), the location of the transmit interrupt is determined by INTLO_0. When the first character is written, the transmit interrupt is generated immediately after S0BUF is written.
5	CIDIS_0	Combined Interrupt Disable 0. When set = 1, Rx and Tx interrupts are separate. When cleared = 0, the UART uses a combined Tx/Rx interrupt (like a conventional 80C51 UART). This bit is reset to logic 0 to select combined interrupts.
6	INTLO_0	Transmit interrupt position 0. When cleared = 0, the Tx interrupt is issued at the beginning of the stop bit. When set = 1, the Tx interrupt is issued at end of the stop bit. Must be logic 0 for mode 0. Note that in the case of single buffering, if the Tx interrupt occurs at the end of a STOP bit, a gap may exist before the next start bit.
7	DBMOD_0	Double buffering mode 0. When set = 1 enables double buffering. Must be logic 0 for UART mode 0. In order to be compatible with existing 80C51 devices, this bit is reset to logic 0 to disable double buffering.

Table 57. Serial Port 1 Status register (S1STAT - address D4h) bit allocation

Bit	7	6	5	4	3	2	1	0
Symbol	DBMOD _1	INTLO_1	CIDIS_1	DBISEL_ 1	FE_1	BR_1	OE_1	STINT_1
Reset	x	x	x	x	x	x	0	0

Table 58. Serial Port 1 Status register (S1STAT - address D4h) bit description

Bit	Symbol	Description
0	STINT_1	Status Interrupt Enable 1. When set = 1, FE_1, BR_1, or OE_1 can cause an interrupt. The interrupt used (vector address 008Bh) is shared with RI (CIDIS_1 = 1) or the combined TI/RI (CIDIS_1 = 0). When cleared = 0, FE_1, BR_1, OE_1 cannot cause an interrupt. (Note: FE_1, BR_1, or OE_1 is often accompanied by a RI, which will generate an interrupt regardless of the state of STINT_1.
1	OE_1	Overrun Error 1 flag is set if a new character is received in the receiver buffer while it is still full (before the software has read the previous character from the buffer), i.e., when bit 8 of a new byte is received while RI_1 in S1CON is still set. Cleared by software.
2	BR_1	Break Detect flag. A break is detected when any 11 consecutive bits are sensed low. Cleared by software.
3	FE_1	Framing error flag is set when the receiver fails to see a valid STOP bit at the end of the frame. Cleared by software.
4	DBISEL_1	Double buffering transmit interrupt select. Used only if double buffering is enabled. This bit controls the number of interrupts that can occur when double buffering is enabled. When set, one transmit interrupt is generated after each character written to S1BUF, and there is also one more transmit interrupt generated at the beginning (INTLO_1 = 0) or the end (INTLO_1 = 1) of the STOP bit of the last character sent (i.e., no more data in buffer). This last interrupt can be used to indicate that all transmit operations are over. When cleared = 0, only one transmit interrupt is generated per character written to S1BUF. Must be logic 0 when double buffering is disabled. Note that except for the first character written (when buffer is empty), the location of the transmit interrupt is determined by INTLO_1. When the first character is written, the transmit interrupt is generated immediately after S1BUF is written.
5	CIDIS_1	Combined Interrupt Disable 1. When set = 1, Rx and Tx interrupts are separate. When cleared = 0, the UART 1 uses a combined Tx/Rx interrupt (like a conventional 80C51 UART). This bit is reset to logic 0 to select combined interrupts.
6	INTLO_1	Transmit interrupt position 1. When cleared = 0, the Tx interrupt is issued at the beginning of the stop bit. When set = 1, the Tx interrupt is issued at end of the stop bit. Must be logic 0 for mode 0. Note that in the case of single buffering, if the Tx interrupt occurs at the end of a STOP bit, a gap may exist before the next start bit.
7	DBMOD_1	Double buffering mode 1. When set = 1 enables double buffering. Must be logic 0 for UART mode 0. In order to be compatible with existing 80C51 devices, this bit is reset to logic 0 to disable double buffering.

10.10 More about UART Mode 0

In Mode 0, a write to SnBUF will initiate a transmission. At the end of the transmission, TI_n(SnCON.1) is set, which must be cleared in software. Double buffering must be disabled in this mode.

Reception is initiated by clearing RI_n (SnCON.0). Synchronous serial transfer occurs and RI_n will be set again at the end of the transfer. When RI_n is cleared, the reception of the next character will begin. Refer to [Figure 22](#)

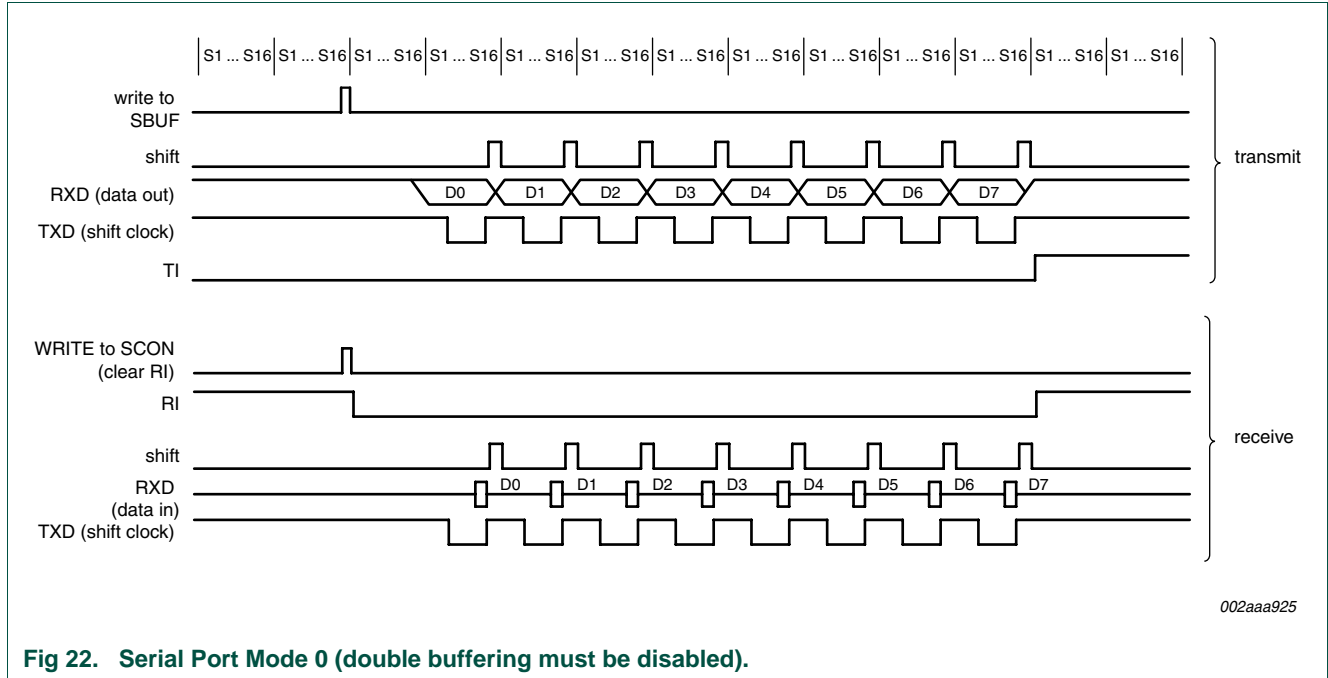


Fig 22. Serial Port Mode 0 (double buffering must be disabled).

10.11 More about UART Mode 1

Reception is initiated by detecting a 1-to-0 transition on RXDn. RXDn is sampled at a rate 16 times the programmed baud rate. When a transition is detected, the divide-by-16 counter is immediately reset. Each bit time is thus divided into 16 counter states. At the 7th, 8th, and 9th counter states, the bit detector samples the value of RXDn. The value accepted is the value that was seen in at least 2 of the 3 samples. This is done for noise rejection. If the value accepted during the first bit time is not 0, the receive circuits are reset and the receiver goes back to looking for another 1-to-0 transition. This provides rejection of false start bits. If the start bit proves valid, it is shifted into the input shift register, and reception of the rest of the frame will proceed.

The signal to load SnBUF and RB8_n, and to set RI_n, will be generated if, and only if, the following conditions are met at the time the final shift pulse is generated: RI_n = 0 and either SM2_n = 0 or the received stop bit = 1. If either of these two conditions is not met, the received frame is lost. If both conditions are met, the stop bit goes into RB8_n, the 8 data bits go into S0BUF, and RI_n is activated.

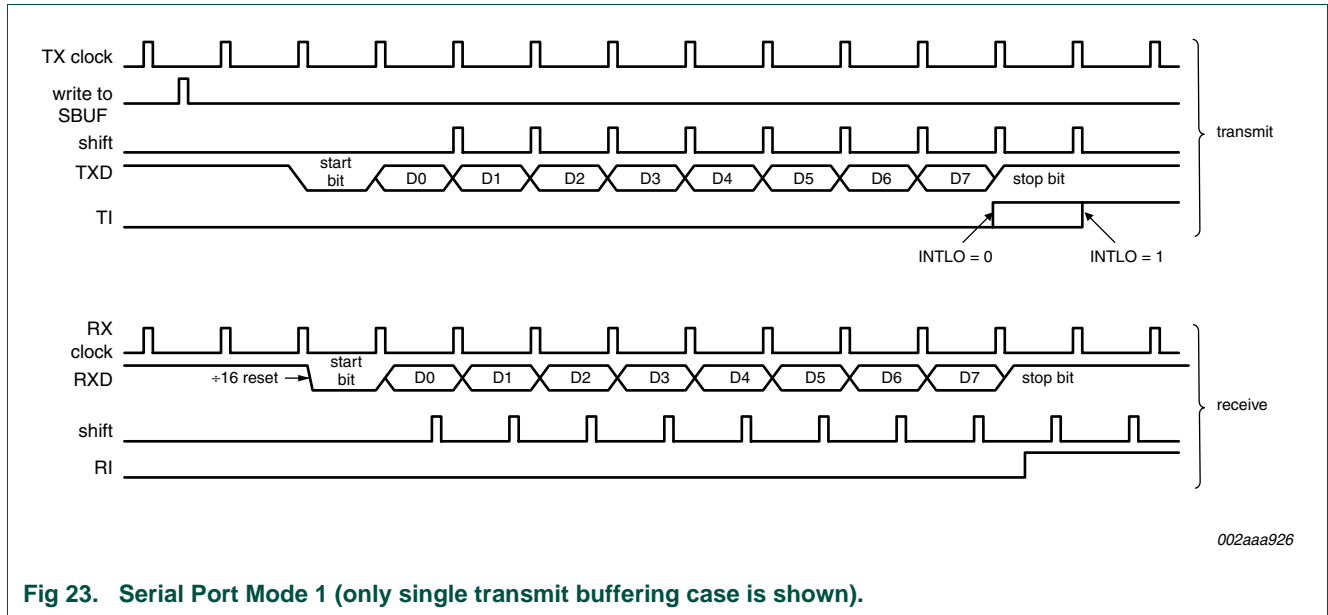


Fig 23. Serial Port Mode 1 (only single transmit buffering case is shown).

10.12 More about UART Modes 2 and 3

Reception is the same as in Mode 1.

The signal to load S0BUF and RB8_n, and to set RI_n, will be generated if, and only if, the following conditions are met at the time the final shift pulse is generated. (a) RI_n = 0, and (b) Either SM2_n = 0, or the received 9th data bit = 1. If either of these conditions is not met, the received frame is lost, and RI_n is not set. If both conditions are met, the received 9th data bit goes into RB_n, and the first 8 data bits go into SnBUF.

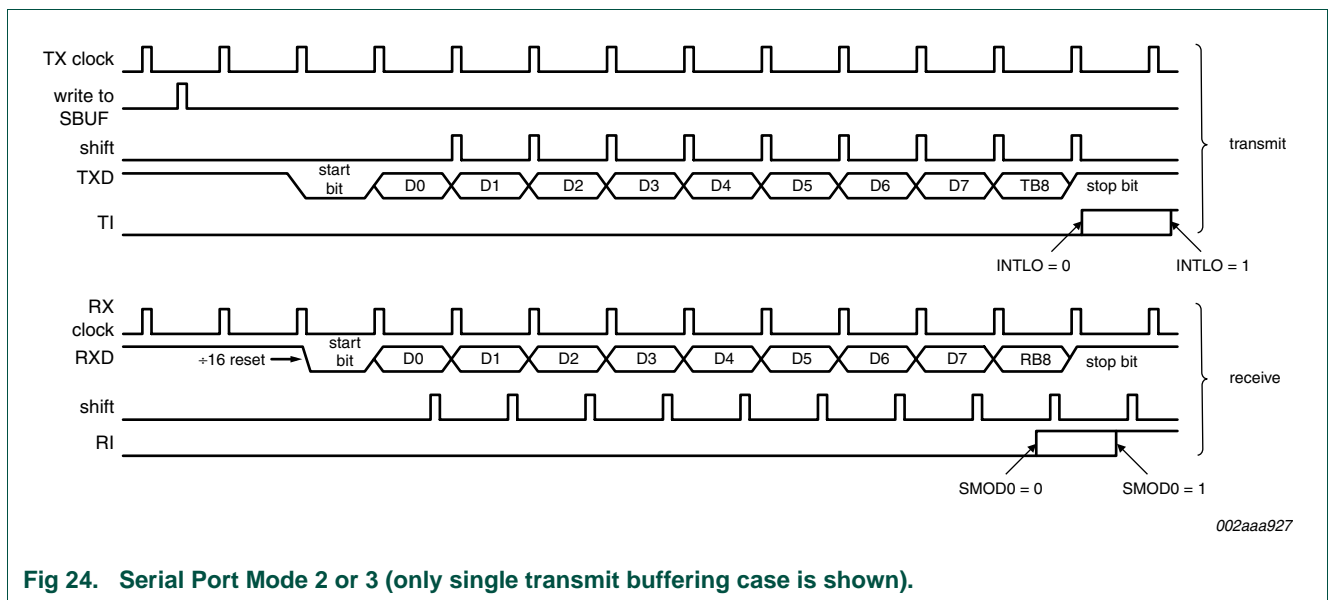


Fig 24. Serial Port Mode 2 or 3 (only single transmit buffering case is shown).

10.13 Framing error and RI_n in Modes 2 and 3 with SM2_n = 1

If SM2_n = 1 in modes 2 and 3, RI_n and FE_n behaves as in the following table.

Table 59. FE_n and RI_n when SM2_n = 1 in Modes 2 and 3

Mode	PCON.6 (SMOD0)	RB8_n	RI_n	FE_n
2	0	0	No RI_n when RB8_n = 0	Occurs during STOP bit
		1	Similar to Figure 24 , with SMOD0 = 0, R_n	Occurs during STOP bit
3	1	0	No RI_n when RB8_n = 0	Will NOT occur
		1	Similar to [24] , with SMOD0 = 1, RI_n occurs during STOP bit	Occurs during STOP bit

10.14 Break detect

A break is detected when 11 consecutive bits are sensed low and is reported in the status register (SnSTAT). For Mode 1, this consists of the start bit, 8 data bits, and two stop bit times. For Modes 2 and 3, this consists of the start bit, 9 data bits, and one stop bit. The break detect bit is cleared in software or by a reset. The break detect of UART0 can be used to reset the device and force the device into ISP mode. This occurs if UART0 is enabled and the the EBRR bit (AUXR1.6) is set and a break occurs.

10.15 Double buffering

The UARs have a transmit double buffer that allows buffering of the next character to be written to SBUF while the first character is being transmitted. Double buffering allows transmission of a string of characters with only one stop bit between any two characters, provided the next character is written between the start bit and the stop bit of the previous character.

Double buffering can be disabled. If disabled (DBMOD_n, i.e. SnSTAT.7 = 0), the UART is compatible with the conventional 80C51 UART. If enabled, the UART allows writing to SnBUF while the previous data is being shifted out.

10.16 Double buffering in different modes

Double buffering is only allowed in Modes 1, 2 and 3. When operated in Mode 0, double buffering must be disabled (DBMOD_n = 0).

10.17 Transmit interrupts with double buffering enabled (Modes 1, 2, and 3)

Unlike the conventional UART, when double buffering is enabled, the Tx interrupt is generated when the double buffer is ready to receive new data. The following occurs during a transmission (assuming eight data bits):

1. The double buffer is empty initially.
2. The CPU writes to SnBUF.
3. The SnBUF data is loaded to the shift register and a Tx interrupt is generated immediately.
4. If there is more data, go to 6, else continue.
5. If there is no more data, then:
 - If DBISEL_n is logic 0, no more interrupts will occur.

- If DBISEL_n is logic 1 and INTLO_n is logic 0, a Tx interrupt will occur at the beginning of the STOP bit of the data currently in the shifter (which is also the last data).
 - If DBISEL_n is logic 1 and INTLO_n is logic 1, a Tx interrupt will occur at the end of the STOP bit of the data currently in the shifter (which is also the last data).
 - Note that if DBISEL_n is logic 1 and the CPU is writing to SnBUF when the STOP bit of the last data is shifted out, there can be an uncertainty of whether a Tx interrupt is generated already with the UART not knowing whether there is any more data following.
6. If there is more data, the CPU writes to SBUF again. Then:
- If INTLO_n is logic 0, the new data will be loaded and a Tx interrupt will occur at the beginning of the STOP bit of the data currently in the shifter.
 - If INTLO_n is logic 1, the new data will be loaded and a Tx interrupt will occur at the end of the STOP bit of the data currently in the shifter.
 - Go to 3.

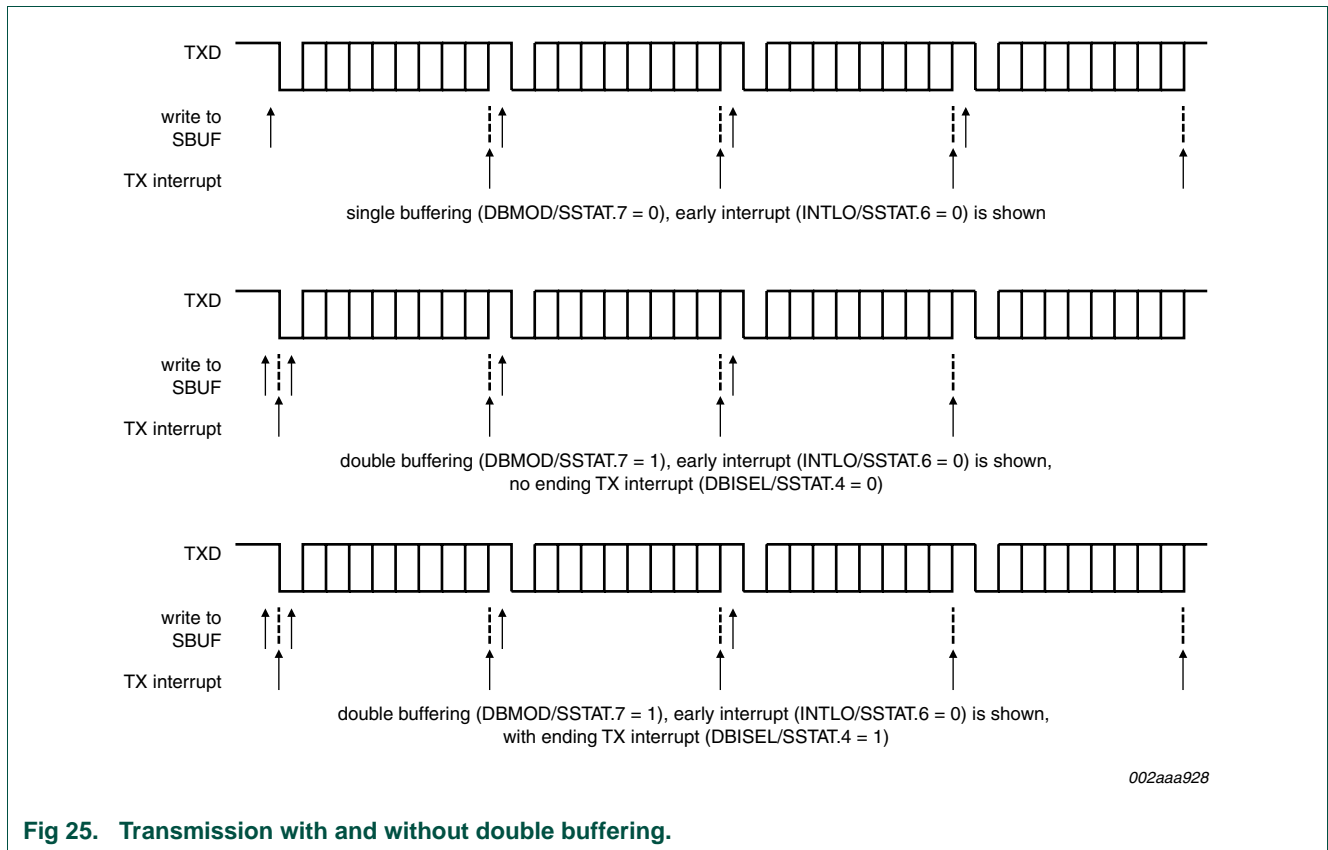


Fig 25. Transmission with and without double buffering.

10.18 The 9th bit (bit 8) in double buffering (Modes 1, 2, and 3)

If double buffering is disabled (DBMOD_n, i.e. SnSTAT.7 = 0), TB8_n can be written before or after SnBUF is written, provided TB8_n is updated before that TB8_n is shifted out. TB8_n must not be changed again until after TB8_n shifting has been completed, as indicated by the Tx interrupt.

If double buffering is enabled, TB8_n MUST be updated before SnBUF is written, as TB8_n will be double-buffered together with SnBUF data. The operation described in the [Section 10.17 “Transmit interrupts with double buffering enabled \(Modes 1, 2, and 3\)” on page 65](#) becomes as follows:

1. The double buffer is empty initially.
2. The CPU writes to TB8_n.
3. The CPU writes to SnBUF.
4. The SnBUF/TB8_n data is loaded to the shift register and a Tx interrupt is generated immediately.
5. If there is more data, go to 7, else continue on 6.
6. If there is no more data, then:
 - If DBISEL_n is logic 0, no more interrupt will occur.
 - If DBISEL_n is logic 1 and INTLO_n is logic 0, a Tx interrupt will occur at the beginning of the STOP bit of the data currently in the shifter (which is also the last data).
 - If DBISEL_n is logic 1 and INTLO_n is logic 1, a Tx interrupt will occur at the end of the STOP bit of the data currently in the shifter (which is also the last data).
7. If there is more data, the CPU writes to TB8_n again.
8. The CPU writes to SnBUF again. Then:
 - If INTLO_n is logic 0, the new data will be loaded and a Tx interrupt will occur at the beginning of the STOP bit of the data currently in the shifter.
 - If INTLO_n is logic 1, the new data will be loaded and a Tx interrupt will occur at the end of the STOP bit of the data currently in the shifter.
9. Go to 4.
10. Note that if DBISEL_n is logic 1 and the CPU is writing to SnBUF when the STOP bit of the last data is shifted out, there can be an uncertainty of whether a Tx interrupt is generated already with the UART not knowing whether there is any more data following.

10.19 Multiprocessor communications

UART modes 2 and 3 have a special provision for multiprocessor communications. In these modes, 9 data bits are received or transmitted. When data is received, the 9th bit is stored in RB8_n. The UART can be programmed such that when the stop bit is received, the serial port interrupt will be activated only if RB8_n = 1. This feature is enabled by setting bit SM2_n in SnCON. One way to use this feature in multiprocessor systems is as follows:

When the master processor wants to transmit a block of data to one of several slaves, it first sends out an address byte which identifies the target slave. An address byte differs from a data byte in that the 9th bit is 1 in an address byte and 0 in a data byte. With SM2_n = 1, no slave will be interrupted by a data byte. An address byte, however, will interrupt all slaves, so that each slave can examine the received byte and see if it is being addressed. The addressed slave will clear its SM2_n bit and prepare to receive the data bytes that follow. The slaves that weren't being addressed leave their SM2_n bits set and go on about their business, ignoring the subsequent data bytes.

Note that SM2_n has no effect in Mode 0, and must be logic 0 in Mode 1.

10.20 Automatic address recognition

Automatic address recognition is a feature which allows the UART to recognize certain addresses in the serial bit stream by using hardware to make the comparisons. This feature saves a great deal of software overhead by eliminating the need for the software to examine every serial address which passes by the serial port. This feature is enabled by setting the SM2_n bit in SnCON. In the 9 bit UART modes (mode 2 and mode 3), the Receive Interrupt flag (RI_n) will be automatically set when the received byte contains either the 'Given' address or the 'Broadcast' address. The 9 bit mode requires that the 9th information bit is a 1 to indicate that the received information is an address and not data.

Using the Automatic Address Recognition feature allows a master to selectively communicate with one or more slaves by invoking the Given slave address or addresses. All of the slaves may be contacted by using the Broadcast address. Two special Function Registers are used to define the slave's address, SnADDR, and the address mask, SnADEN. SnADEN is used to define which bits in the SnADDR are to be used and which bits are 'don't care'. The SnADEN mask can be logically ANDed with the SnADDR to create the 'Given' address which the master will use for addressing each of the slaves. Use of the Given address allows multiple slaves to be recognized while excluding others. The following examples will help to show the versatility of this scheme:

Table 60. Slave 0/1 examples

Example 1			Example 2		
Slave 0	SnADDR	= 1100 0000	Slave 1	SnADDR	= 1100 0000
	SnADEN	= 1111 1101		SnADEN	= 1111 1110
	Given	= 1100 00X0		Given	= 1100 000X

In the above example SnADDR is the same and the SnADEN data is used to differentiate between the two slaves. Slave 0 requires a 0 in bit 0 and it ignores bit 1. Slave 1 requires a 0 in bit 1 and bit 0 is ignored. A unique address for Slave 0 would be 1100 0010 since slave 1 requires a 0 in bit 1. A unique address for slave 1 would be 1100 0001 since a 1 in bit 0 will exclude slave 0. Both slaves can be selected at the same time by an address which has bit 0 = 0 (for slave 0) and bit 1 = 0 (for slave 1). Thus, both could be addressed with 1100 0000.

In a more complex system the following could be used to select slaves 1 and 2 while excluding slave 0:

Table 61. Slave 0/1/2 examples

Example 1		Example 2		Example 3	
Slave 0	SnADDR = 1100 0000	Slave 1	SnADDR = 1110 0000	Slave 2	SnADDR = 1100 0000
	SnADEN = 1111 1001		SnADEN = 1111 1010		SnADEN = 1111 1100
	Given = 1100 0XX0		Given = 1110 0X0X		Given = 1110 00XX

In the above example the differentiation among the 3 slaves is in the lower 3 address bits. Slave 0 requires that bit 0 = 0 and it can be uniquely addressed by 1110 0110. Slave 1 requires that bit 1 = 0 and it can be uniquely addressed by 1110 and 0101. Slave 2 requires that bit 2 = 0 and its unique address is 1110 0011. To select Slaves 0 and 1 and exclude Slave 2 use address 1110 0100, since it is necessary to make bit 2 = 1 to exclude slave 2. The Broadcast Address for each slave is created by taking the logical OR of

SnADDR and SnADEN. Zeros in this result are treated as don't-cares. In most cases, interpreting the don't-cares as ones, the broadcast address will be FF hexadecimal. Upon reset SnADDR and SnADEN are loaded with 0s. This produces a given address of all 'don't cares' as well as a Broadcast address of all 'don't cares'. This effectively disables the Automatic Addressing mode and allows the microcontroller to use standard UART drivers which do not make use of this feature.

11. I²C interface

The I²C-bus uses two wires, serial clock (SCL) and serial data (SDA) to transfer information between devices connected to the bus, and has the following features:

- Bidirectional data transfer between masters and slaves
- Multimaster bus (no central master)
- Arbitration between simultaneously transmitting masters without corruption of serial data on the bus
- Serial clock synchronization allows devices with different bit rates to communicate via one serial bus
- Serial clock synchronization can be used as a handshake mechanism to suspend and resume serial transfer
- The I²C-bus may be used for test and diagnostic purposes

A typical I²C-bus configuration is shown in [Figure 26](#). Depending on the state of the direction bit (R/W), two types of data transfers are possible on the I²C-bus:

- Data transfer from a master transmitter to a slave receiver. The first byte transmitted by the master is the slave address. Next follows a number of data bytes. The slave returns an acknowledge bit after each received byte.
- Data transfer from a slave transmitter to a master receiver. The first byte (the slave address) is transmitted by the master. The slave then returns an acknowledge bit. Next follows the data bytes transmitted by the slave to the master. The master returns an acknowledge bit after all received bytes other than the last byte. At the end of the last received byte, a 'not acknowledge' is returned. The master device generates all of the serial clock pulses and the START and STOP conditions. A transfer is ended with a STOP condition or with a repeated START condition. Since a repeated START condition is also the beginning of the next serial transfer, the I²C-bus will not be released.

The P89LPC952/954 device provides a byte-oriented I²C interface. It has four operation modes: Master Transmitter Mode, Master Receiver Mode, Slave Transmitter Mode and Slave Receiver Mode

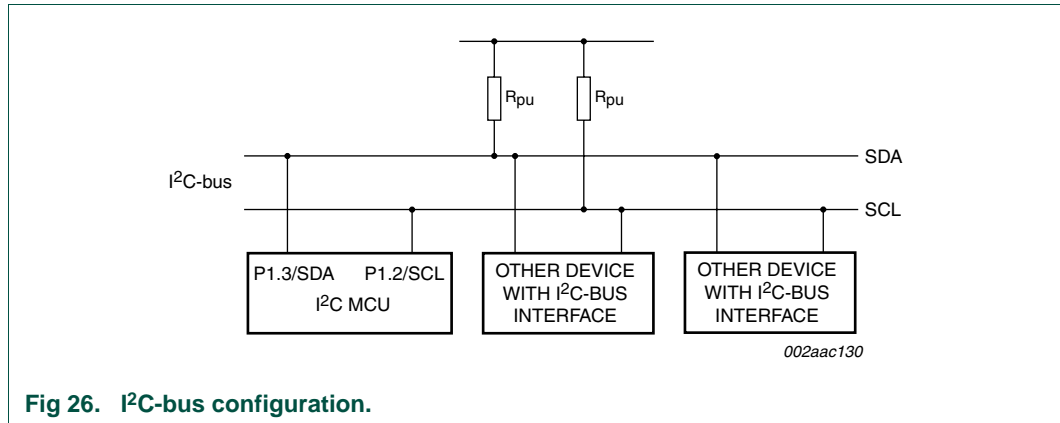


Fig 26. I²C-bus configuration.

The P89LPC952/954 CPU interfaces with the I²C-bus through six Special Function Registers (SFRs): I2CON (I²C Control Register), I2DAT (I²C Data Register), I2STAT (I²C Status Register), I2ADR (I²C Slave Address Register), I2SCLH (SCL Duty Cycle Register High Byte), and I2SCLL (SCL Duty Cycle Register Low Byte).

11.1 I²C data register

I2DAT register contains the data to be transmitted or the data received. The CPU can read and write to this 8-bit register while it is not in the process of shifting a byte. Thus this register should only be accessed when the SI bit is set. Data in I2DAT remains stable as long as the SI bit is set. Data in I2DAT is always shifted from right to left: the first bit to be transmitted is the MSB (bit 7), and after a byte has been received, the first bit of received data is located at the MSB of I2DAT.

Table 62. I²C data register (I2DAT - address DAh) bit allocation

Bit	7	6	5	4	3	2	1	0
Symbol	I2DAT.7	I2DAT.6	I2DAT.5	I2DAT.4	I2DAT.3	I2DAT.2	I2DAT.1	I2DAT.0
Reset	0	0	0	0	0	0	0	0

11.2 I²C slave address register

I2ADR register is readable and writable, and is only used when the I²C interface is set to slave mode. In master mode, this register has no effect. The LSB of I2ADR is general call bit. When this bit is set, the general call address (00h) is recognized.

Table 63. I²C slave address register (I2ADR - address DBh) bit allocation

Bit	7	6	5	4	3	2	1	0
Symbol	I2ADR.6	I2ADR.5	I2ADR.4	I2ADR.3	I2ADR.2	I2ADR.1	I2ADR.0	GC
Reset	0	0	0	0	0	0	0	0

Table 64. I²C slave address register (I2ADR - address DBh) bit description

Bit	Symbol	Description
0	GC	General call bit. When set, the general call address (00H) is recognized, otherwise it is ignored.
1:7	I2ADR1:7	7 bit own slave address. When in master mode, the contents of this register has no effect.

11.3 I²C control register

The CPU can read and write this register. There are two bits are affected by hardware: the SI bit and the STO bit. The SI bit is set by hardware and the STO bit is cleared by hardware.

CRSEL determines the SCL source when the I²C-bus is in master mode. In slave mode this bit is ignored and the bus will automatically synchronize with any clock frequency up to 400 kHz from the master I²C device. When CRSEL = 1, the I²C interface uses the Timer 1 overflow rate divided by 2 for the I²C clock rate. Timer 1 should be programmed by the user in 8 bit auto-reload mode (Mode 2).

Data rate of I²C-bus = Timer overflow rate / 2 = PCLK / (2*(256-reload value)).

If $f_{osc} = 12$ MHz, reload value is 0 to 255, so I²C data rate range is 11.72 Kbit/sec to 3000 Kbit/sec.

When CRSEL = 0, the I²C interface uses the internal clock generator based on the value of I2SCLL and I2CSCLH register. The duty cycle does not need to be 50 %.

The STA bit is START flag. Setting this bit causes the I²C interface to enter master mode and attempt transmitting a START condition or transmitting a repeated START condition when it is already in master mode.

The STO bit is STOP flag. Setting this bit causes the I²C interface to transmit a STOP condition in master mode, or recovering from an error condition in slave mode.

If the STA and STO are both set, then a STOP condition is transmitted to the I²C-bus if it is in master mode, and transmits a START condition afterwards. If it is in slave mode, an internal STOP condition will be generated, but it is not transmitted to the bus.

Table 65. I²C Control register (I2CON - address D8h) bit allocation

Bit	7	6	5	4	3	2	1	0
Symbol	-	I2EN	STA	STO	SI	AA	-	CRSEL
Reset	x	0	0	0	0	0	x	0

Table 66. I²C Control register (I2CON - address D8h) bit description

Bit	Symbol	Description
0	CRSEL	SCL clock selection. When set = 1, Timer 1 overflow generates SCL, when cleared = 0, the internal SCL generator is used base on values of I2SCLH and I2SCLL.
1	-	reserved
2	AA	The Assert Acknowledge Flag. When set to 1, an acknowledge (low level to SDA) will be returned during the acknowledge clock pulse on the SCL line on the following situations: (1)The 'own slave address' has been received. (2)The general call address has been received while the general call bit (GC) in I2ADR is set. (3) A data byte has been received while the I ² C interface is in the Master Receiver Mode. (4)A data byte has been received while the I ² C interface is in the addressed Slave Receiver Mode. When cleared to 0, an not acknowledge (high level to SDA) will be returned during the acknowledge clock pulse on the SCL line on the following situations: (1) A data byte has been received while the I ² C interface is in the Master Receiver Mode. (2) A data byte has been received while the I ² C interface is in the addressed Slave Receiver Mode.

Table 66. I²C Control register (I2CON - address D8h) bit description ...continued

Bit	Symbol	Description
3	SI	I ² C Interrupt Flag. This bit is set when one of the 25 possible I ² C states is entered. When EA bit and EI2C (IEN1.0) bit are both set, an interrupt is requested when SI is set. Must be cleared by software by writing 0 to this bit.
4	STO	STOP Flag. STO = 1: In master mode, a STOP condition is transmitted to the I ² C-bus. When the bus detects the STOP condition, it will clear STO bit automatically. In slave mode, setting this bit can recover from an error condition. In this case, no STOP condition is transmitted to the bus. The hardware behaves as if a STOP condition has been received and it switches to 'not addressed' Slave Receiver Mode. The STO flag is cleared by hardware automatically.
5	STA	Start Flag. STA = 1: I ² C-bus enters master mode, checks the bus and generates a START condition if the bus is free. If the bus is not free, it waits for a STOP condition (which will free the bus) and generates a START condition after a delay of a half clock period of the internal clock generator. When the I ² C interface is already in master mode and some data is transmitted or received, it transmits a repeated START condition. STA may be set at any time, it may also be set when the I ² C interface is in an addressed slave mode. STA = 0: no START condition or repeated START condition will be generated.
6	I2EN	I ² C Interface Enable. When set, enables the I ² C interface. When clear, the I ² C function is disabled.
7	-	reserved

11.4 I²C Status register

This is a read-only register. It contains the status code of the I²C interface. The least three bits are always 0. There are 26 possible status codes. When the code is F8H, there is no relevant information available and SI bit is not set. All other 25 status codes correspond to defined I²C states. When any of these states entered, the SI bit will be set. Refer to [Table 72](#) to [Table 75](#) for details.

Table 67. I²C Status register (I2STAT - address D9h) bit allocation

Bit	7	6	5	4	3	2	1	0
Symbol	STA.4	STA.3	STA.2	STA.1	STA.0	0	0	0
Reset	0	0	0	0	0	0	0	0

Table 68. I²C Status register (I2STAT - address D9h) bit description

Bit	Symbol	Description
0:2	-	Reserved, are always set to 0.
3:7	STA[0:4]	I ² C Status code.

11.5 I²C SCL duty cycle registers I2SCLH and I2SCLL

When the internal SCL generator is selected for the I²C interface by setting CRSEL = 0 in the I2CON register, the user must set values for registers I2SCLL and I2SCLH to select the data rate. I2SCLH defines the number of PCLK cycles for SCL = high, I2SCLL defines the number of PCLK cycles for SCL = low. The frequency is determined by the following formula:

$$\text{Bit Frequency} = f_{\text{PCLK}} / (2 * (I2SCLH + I2SCLL))$$

Where f_{PCLK} is the frequency of PCLK.

The values for I2SCLL and I2SCLH do not have to be the same; the user can give different duty cycles for SCL by setting these two registers. However, the value of the register must ensure that the data rate is in the I²C data rate range of 0 to 400 kHz. Thus the values of I2SCLL and I2SCLH have some restrictions and values for both registers greater than three PCLKs are recommended.

Table 69. I²C clock rates selection

I2SCLL+ I2SCLH	CRSEL	Bit data rate (Kbit/sec) at f _{osc}				
		7.373 MHz	3.6865 MHz	1.8433 MHz	12 MHz	6 MHz
6	0	-	307	154	-	-
7	0	-	263	132	-	-
8	0	-	230	115	-	375
9	0	-	205	102	-	333
10	0	369	184	92	-	300
15	0	246	123	61	400	200
25	0	147	74	37	240	120
30	0	123	61	31	200	100
50	0	74	37	18	120	60
60	0	61	31	15	100	50
100	0	37	18	9	60	30
150	0	25	12	6	40	20
200	0	18	9	5	30	15
-	1	3.6 Kbps to 922 Kbps Timer 1 in mode 2	1.8 Kbps to 461 Kbps Timer 1 in mode 2	0.9 Kbps to 230 Kbps Timer 1 in mode 2	5.86 Kbps to 1500 Kbps Timer 1 in mode 2	2.93 Kbps to 750 Kbps Timer 1 in mode 2

11.6 I²C operation modes

11.6.1 Master Transmitter mode

In this mode data is transmitted from master to slave. Before the Master Transmitter mode can be entered, I2CON must be initialized as follows:

Table 70. I²C Control register (I2CON - address D8h)

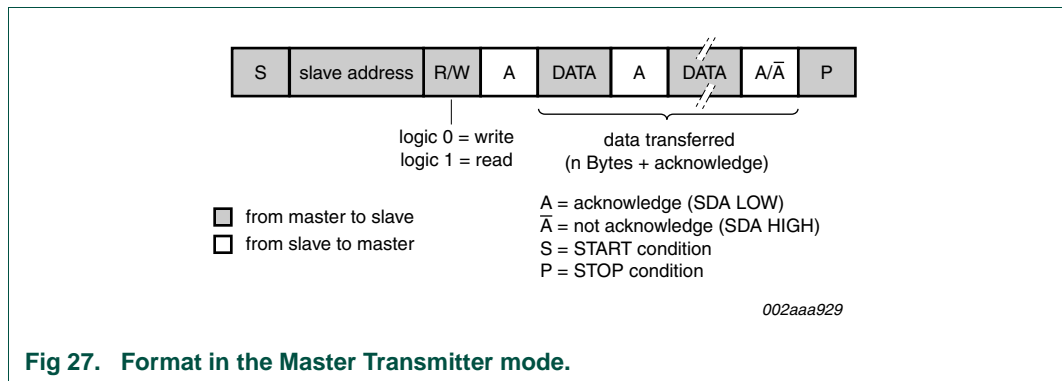
Bit	7	6	5	4	3	2	1	0
	-	I2EN	STA	STO	SI	AA	-	CRSEL
value	-	1	0	0	0	x	-	bit rate

CRSEL defines the bit rate. I2EN must be set to 1 to enable the I²C function. If the AA bit is 0, it will not acknowledge its own slave address or the general call address in the event of another device becoming master of the bus and it can not enter slave mode. STA, STO, and SI bits must be cleared to 0.

The first byte transmitted contains the slave address of the receiving device (7 bits) and the data direction bit. In this case, the data direction bit (R/W) will be logic 0 indicating a write. Data is transmitted 8 bits at a time. After each byte is transmitted, an acknowledge bit is received. START and STOP conditions are output to indicate the beginning and the end of a serial transfer.

The I²C-bus will enter Master Transmitter Mode by setting the STA bit. The I²C logic will send the START condition as soon as the bus is free. After the START condition is transmitted, the SI bit is set, and the status code in I2STAT should be 08h. This status code must be used to vector to an interrupt service routine where the user should load the slave address to I2DAT (Data Register) and data direction bit (SLA+W). The SI bit must be cleared before the data transfer can continue.

When the slave address and R/W bit have been transmitted and an acknowledgment bit has been received, the SI bit is set again, and the possible status codes are 18h, 20h, or 38h for the master mode or 68h, 78h, or 0B0h if the slave mode was enabled (setting AA = Logic 1). The appropriate action to be taken for each of these status codes is shown in [Table 72](#).



11.6.2 Master Receiver mode

In the Master Receiver Mode, data is received from a slave transmitter. The transfer started in the same manner as in the Master Transmitter Mode. When the START condition has been transmitted, the interrupt service routine must load the slave address and the data direction bit to I²C Data Register (I2DAT). The SI bit must be cleared before the data transfer can continue.

When the slave address and data direction bit have been transmitted and an acknowledge bit has been received, the SI bit is set, and the Status Register will show the status code. For master mode, the possible status codes are 40H, 48H, or 38H. For slave mode, the possible status codes are 68H, 78H, or B0H. Refer to [Table 74](#) for details.

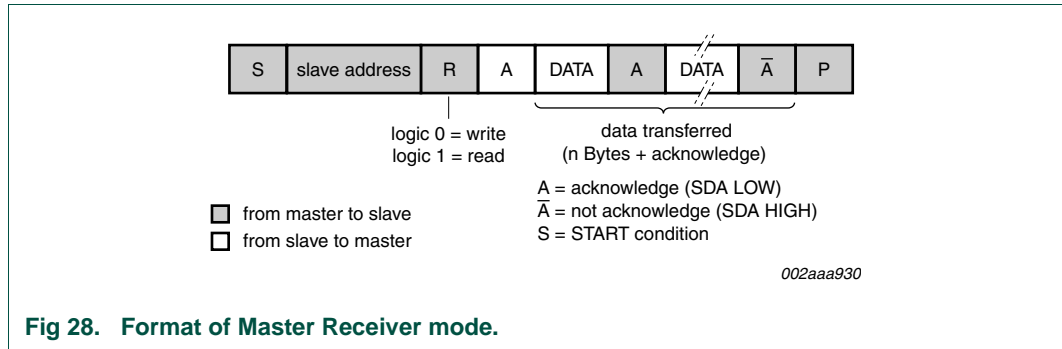


Fig 28. Format of Master Receiver mode.

After a repeated START condition, I²C-bus may switch to the Master Transmitter Mode.

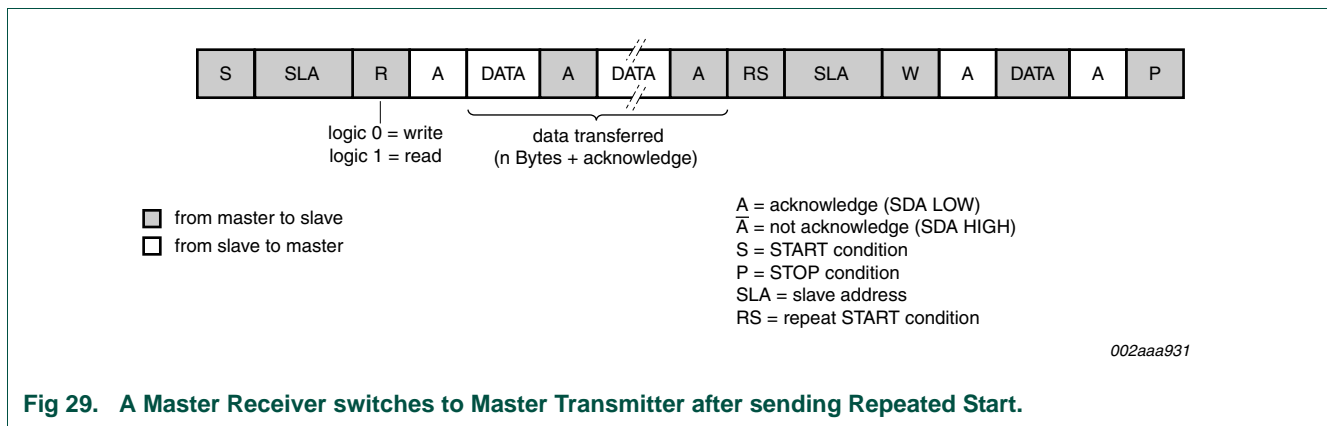


Fig 29. A Master Receiver switches to Master Transmitter after sending Repeated Start.

11.6.3 Slave Receiver mode

In the Slave Receiver Mode, data bytes are received from a master transmitter. To initialize the Slave Receiver Mode, the user should write the slave address to the Slave Address Register (I2ADR) and the I²C Control Register (I2CON) should be configured as follows:

Table 71. I²C Control register (I2CON - address D8h)

Bit	7	6	5	4	3	2	1	0
	-	I2EN	STA	STO	SI	AA	-	CRSEL
value	-	1	0	0	0	1	-	-

CRSEL is not used for slave mode. I2EN must be set = 1 to enable I²C function. AA bit must be set = 1 to acknowledge its own slave address or the general call address. STA, STO and SI are cleared to 0.

After I2ADR and I2CON are initialized, the interface waits until it is addressed by its own address or general address followed by the data direction bit which is 0(W). If the direction bit is 1(R), it will enter Slave Transmitter Mode. After the address and the direction bit have been received, the SI bit is set and a valid status code can be read from the Status Register(I2STAT). Refer to [Table 75](#) for the status codes and actions.

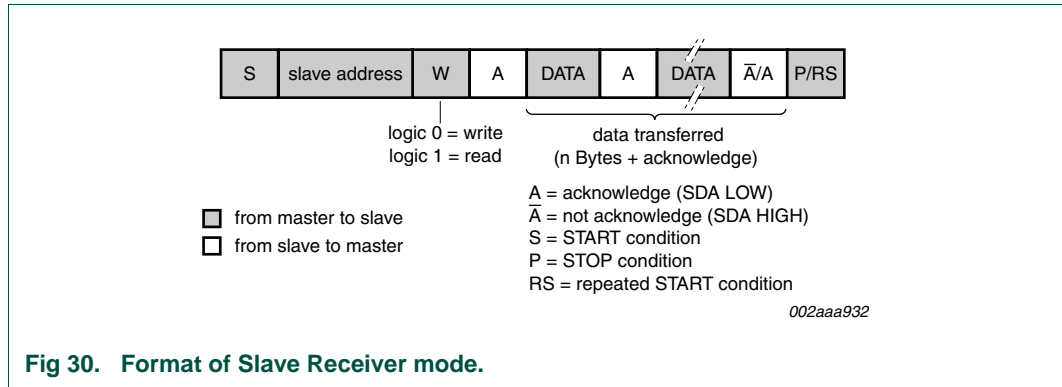


Fig 30. Format of Slave Receiver mode.

11.6.4 Slave Transmitter mode

The first byte is received and handled as in the Slave Receiver Mode. However, in this mode, the direction bit will indicate that the transfer direction is reversed. Serial data is transmitted via P1.3/SDA while the serial clock is input through P1.2/SCL. START and STOP conditions are recognized as the beginning and end of a serial transfer. In a given application, the I²C-bus may operate as a master and as a slave. In the slave mode, the I²C hardware looks for its own slave address and the general call address. If one of these addresses is detected, an interrupt is requested. When the microcontrollers wishes to become the bus master, the hardware waits until the bus is free before the master mode is entered so that a possible slave action is not interrupted. If bus arbitration is lost in the master mode, the I²C-bus switches to the slave mode immediately and can detect its own slave address in the same serial transfer.

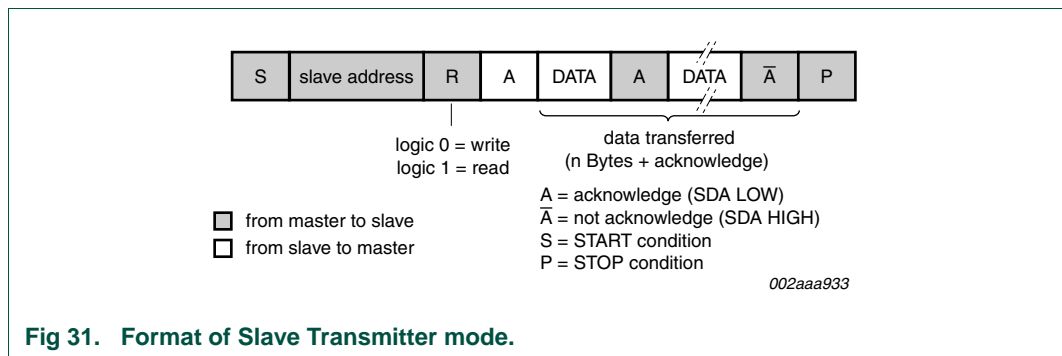


Fig 31. Format of Slave Transmitter mode.

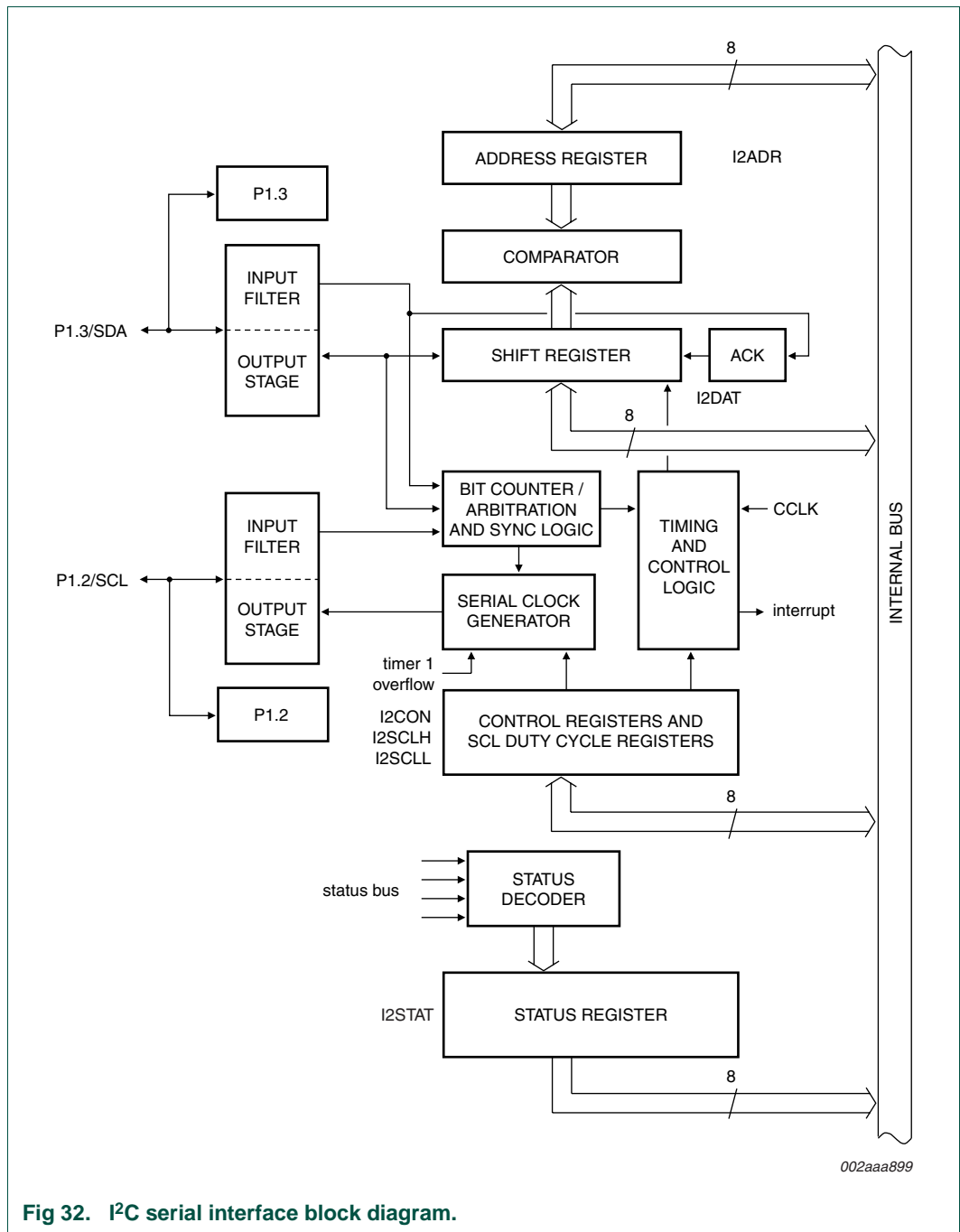


Fig 32. I²C serial interface block diagram.

Table 72. Master Transmitter mode

Status code (I2STAT)	Status of the I ² C hardware	Application software response					Next action taken by I ² C hardware
		to/from I2DAT	to I2CON				
			STA	STO	SI	AA	
08H	A START condition has been transmitted	Load SLA+W	x	0	0	x	SLA+W will be transmitted; ACK bit will be received
10H	A repeat START condition has been transmitted	Load SLA+W or Load SLA+R	x	0	0	x	As above; SLA+W will be transmitted; I ² C-bus switches to Master Receiver Mode
18h	SLA+W has been transmitted; ACK has been received	Load data byte or	0	0	0	x	Data byte will be transmitted; ACK bit will be received
		no I2DAT action or	1	0	0	x	Repeated START will be transmitted;
		no I2DAT action or	0	1	0	x	STOP condition will be transmitted; STO flag will be reset
		no I2DAT action	1	1	0	x	STOP condition followed by a START condition will be transmitted; STO flag will be reset.
20h	SLA+W has been transmitted; NOT-ACK has been received	Load data byte or	0	0	0	x	Data byte will be transmitted; ACK bit will be received
		no I2DAT action or	1	0	0	x	Repeated START will be transmitted;
		no I2DAT action or	0	1	0	x	STOP condition will be transmitted; STO flag will be reset
		no I2DAT action	1	1	0	x	STOP condition followed by a START condition will be transmitted; STO flag will be reset
28h	Data byte in I2DAT has been transmitted; ACK has been received	Load data byte or	0	0	0	x	Data byte will be transmitted; ACK bit will be received
		no I2DAT action or	1	0	0	x	Repeated START will be transmitted;
		no I2DAT action or	0	1	0	x	STOP condition will be transmitted; STO flag will be reset
		no I2DAT action	1	1	0	x	STOP condition followed by a START condition will be transmitted; STO flag will be reset

Table 72. Master Transmitter mode ...continued

Status code (I2STAT)	Status of the I ² C hardware	Application software response					Next action taken by I ² C hardware
		to/from I2DAT	to I2CON				
			STA	STO	SI	AA	
30h	Data byte in I2DAT has been transmitted, NOT ACK has been received	Load data byte or	0	0	0	x	Data byte will be transmitted; ACK bit will be received
		no I2DAT action or	1	0	0	x	Repeated START will be transmitted;
		no I2DAT action or	0	1	0	x	STOP condition will be transmitted; STO flag will be reset
		no I2DAT action	1	1	0	x	STOP condition followed by a START condition will be transmitted. STO flag will be reset.
38H	Arbitration lost in SLA+R/W or data bytes	No I2DAT action or	0	0	0	x	I ² C-bus will be released; not addressed slave will be entered
		No I2DAT action	1	0	0	x	A START condition will be transmitted when the bus becomes free.

Table 73. Master Receiver mode

Status code (I2STAT)	Status of the I ² C hardware	Application software response					Next action taken by I ² C hardware
		to/from I2DAT	to I2CON				
			STA	STO	SI	STA	
08H	A START condition has been transmitted	Load SLA+R	x	0	0	x	SLA+R will be transmitted; ACK bit will be received
10H	A repeat START condition has been transmitted	Load SLA+R or	x	0	0	x	As above
		Load SLA+W					SLA+W will be transmitted; I ² C-bus will be switched to Master Transmitter Mode
38H	Arbitration lost in NOT ACK bit	no I2DAT action or	0	0	0	x	I ² C-bus will be released; it will enter a slave mode
		no I2DAT action	1	0	0	x	A START condition will be transmitted when the bus becomes free
40h	SLA+R has been transmitted; ACK has been received	no I2DAT action or	0	0	0	0	Data byte will be received; NOT ACK bit will be returned
		no I2DAT action or	0	0	0	1	Data byte will be received; ACK bit will be returned
48h	SLA+R has been transmitted; NOT ACK has been received	No I2DAT action or	1	0	0	x	Repeated START will be transmitted
		no I2DAT action or	0	1	0	x	STOP condition will be transmitted; STO flag will be reset
		no I2DAT action or	1	1	0	x	STOP condition followed by a START condition will be transmitted; STO flag will be reset

Table 73. Master Receiver mode ...continued

Status code (I2STAT)	Status of the I ² C hardware	Application software response					Next action taken by I ² C hardware
		to/from I2DAT	to I2CON				
			STA	STO	SI	STA	
50h	Data byte has been received; ACK has been returned	Read data byte	0	0	0	0	Data byte will be received; NOT ACK bit will be returned
		read data byte	0	0	0	1	Data byte will be received; ACK bit will be returned
58h	Data byte has been received; NACK has been returned	Read data byte or	1	0	0	x	Repeated START will be transmitted;
		read data byte or	0	1	0	x	STOP condition will be transmitted; STO flag will be reset
		read data byte	1	1	0	x	STOP condition followed by a START condition will be transmitted; STO flag will be reset

Table 74. Slave Receiver mode

Status code (I2STAT)	Status of the I ² C hardware	Application software response					Next action taken by I ² C hardware
		to/from I2DAT	to I2CON				
			STA	STO	SI	AA	
60H	Own SLA+W has been received; ACK has been received	no I2DAT action or	x	0	0	0	Data byte will be received and NOT ACK will be returned
		no I2DAT action	x	0	0	1	Data byte will be received and ACK will be returned
68H	Arbitration lost in SLA+R/W as master; Own SLA+W has been received, ACK returned	No I2DAT action or	x	0	0	0	Data byte will be received and NOT ACK will be returned
		no I2DAT action	x	0	0	1	Data byte will be received and ACK will be returned
70H	General call address(00H) has been received, ACK has been returned	No I2DAT action or	x	0	0	0	Data byte will be received and NOT ACK will be returned
		no I2DAT action	x	0	0	1	Data byte will be received and ACK will be returned
78H	Arbitration lost in SLA+R/W as master; General call address has been received, ACK bit has been returned	no I2DAT action or	x	0	0	0	Data byte will be received and NOT ACK will be returned
		no I2DAT action	x	0	0	1	Data byte will be received and ACK will be returned
80H	Previously addressed with own SLA address; Data has been received; ACK has been returned	Read data byte or	x	0	0	0	Data byte will be received and NOT ACK will be returned
		read data byte	x	0	0	1	Data byte will be received; ACK bit will be returned

Table 74. Slave Receiver mode ...continued

Status code (I2STAT)	Status of the I ² C hardware	Application software response				Next action taken by I ² C hardware	
		to/from I2DAT	to I2CON				
			STA	STO	SI		AA
88H	Previously addressed with own SLA address; Data has been received; NACK has been returned	Read data byte or	0	0	0	0	Switched to not addressed SLA mode; no recognition of own SLA or general address
		read data byte or	0	0	0	1	Switched to not addressed SLA mode; Own SLA will be recognized; general call address will be recognized if I2ADR.0 = 1
		read data byte or	1	0	0	0	Switched to not addressed SLA mode; no recognition of own SLA or General call address. A START condition will be transmitted when the bus becomes free
		read data byte	1	0	0	1	Switched to not addressed SLA mode; Own slave address will be recognized; General call address will be recognized if I2ADR.0 = 1. A START condition will be transmitted when the bus becomes free.
90H	Previously addressed with General call; Data has been received; ACK has been returned	Read data byte or	x	0	0	0	Data byte will be received and NOT ACK will be returned
		read data byte	x	0	0	1	Data byte will be received and ACK will be returned
98H	Previously addressed with General call; Data has been received; NACK has been returned	Read data byte	0	0	0	0	Switched to not addressed SLA mode; no recognition of own SLA or General call address
		read data byte	0	0	0	1	Switched to not addressed SLA mode; Own slave address will be recognized; General call address will be recognized if I2ADR.0 = 1.
		read data byte	1	0	0	0	Switched to not addressed SLA mode; no recognition of own SLA or General call address. A START condition will be transmitted when the bus becomes free.
		read data byte	1	0	0	1	Switched to not addressed SLA mode; Own slave address will be recognized; General call address will be recognized if I2ADR.0 = 1. A START condition will be transmitted when the bus becomes free.

Table 74. Slave Receiver mode ...continued

Status code (I2STAT)	Status of the I ² C hardware	Application software response					Next action taken by I ² C hardware
		to/from I2DAT	to I2CON				
			STA	STO	SI	AA	
A0H	A STOP condition or repeated START condition has been received while still addressed as SLA/REC or SLA/TRX	No I2DAT action	0	0	0	0	Switched to not addressed SLA mode; no recognition of own SLA or General call address
		no I2DAT action	0	0	0	1	Switched to not addressed SLA mode; Own slave address will be recognized; General call address will be recognized if I2ADR.0 = 1.
		no I2DAT action	1	0	0	0	Switched to not addressed SLA mode; no recognition of own SLA or General call address. A START condition will be transmitted when the bus becomes free.
		no I2DAT action	1	0	0	1	Switched to not addressed SLA mode; Own slave address will be recognized; General call address will be recognized if I2ADR.0 = 1. A START condition will be transmitted when the bus becomes free.

Table 75. Slave Transmitter mode

Status code (I2STAT)	Status of the I ² C hardware	Application software response					Next action taken by I ² C hardware
		to/from I2DAT	to I2CON				
			STA	STO	SI	AA	
A8h	Own SLA+R has been received; ACK has been returned	Load data byte or	x	0	0	0	Last data byte will be transmitted and ACK bit will be received
		load data byte	x	0	0	1	Data byte will be transmitted; ACK will be received
B0h	Arbitration lost in SLA+R/W as master; Own SLA+R has been received, ACK has been returned	Load data byte or	x	0	0	0	Last data byte will be transmitted and ACK bit will be received
		load data byte	x	0	0	1	Data byte will be transmitted; ACK bit will be received
B8H	Data byte in I2DAT has been transmitted; ACK has been received	Load data byte or	x	0	0	0	Last data byte will be transmitted and ACK bit will be received
		load data byte	x	0	0	1	Data byte will be transmitted; ACK will be received

Table 75. Slave Transmitter mode ...continued

Status code (I2STAT)	Status of the I ² C hardware	Application software response				Next action taken by I ² C hardware	
		to/from I2DAT	to I2CON				
			STA	STO	SI		AA
C0H	Data byte in I2DAT has been transmitted; NACK has been received	No I2DAT action or	0	0	0	0	Switched to not addressed SLA mode; no recognition of own SLA or General call address.
		no I2DAT action or	0	0	0	1	Switched to not addressed SLA mode; Own slave address will be recognized; General call address will be recognized if I2ADR.0 = 1.
		no I2DAT action or	1	0	0	0	Switched to not addressed SLA mode; no recognition of own SLA or General call address. A START condition will be transmitted when the bus becomes free.
		no I2DAT action	1	0	0	1	Switched to not addressed SLA mode; Own slave address will be recognized; General call address will be recognized if I2ADR.0 = 1. A START condition will be transmitted when the bus becomes free.
C8H	Last data byte in I2DAT has been transmitted (AA = 0); ACK has been received	No I2DAT action or	0	0	0	0	Switched to not addressed SLA mode; no recognition of own SLA or General call address.
		no I2DAT action or	0	0	0	1	Switched to not addressed SLA mode; Own slave address will be recognized; General call address will be recognized if I2ADR.0 = 1.
		no I2DAT action or	1	0	0	0	Switched to not addressed SLA mode; no recognition of own SLA or General call address. A START condition will be transmitted when the bus becomes free.
		no I2DAT action	1	0	0	1	Switched to not addressed SLA mode; Own slave address will be recognized; General call address will be recognized if I2ADR.0 = 1. A START condition will be transmitted when the bus becomes free.

12. Serial Peripheral Interface (SPI)

The P89LPC952/954 provides another high-speed serial communication interface, the SPI interface. SPI is a full-duplex, high-speed, synchronous communication bus with two operation modes: Master mode and Slave mode. Up to 3 Mbit/s can be supported in either Master or Slave mode. It has a Transfer Completion Flag and Write Collision Flag Protection.

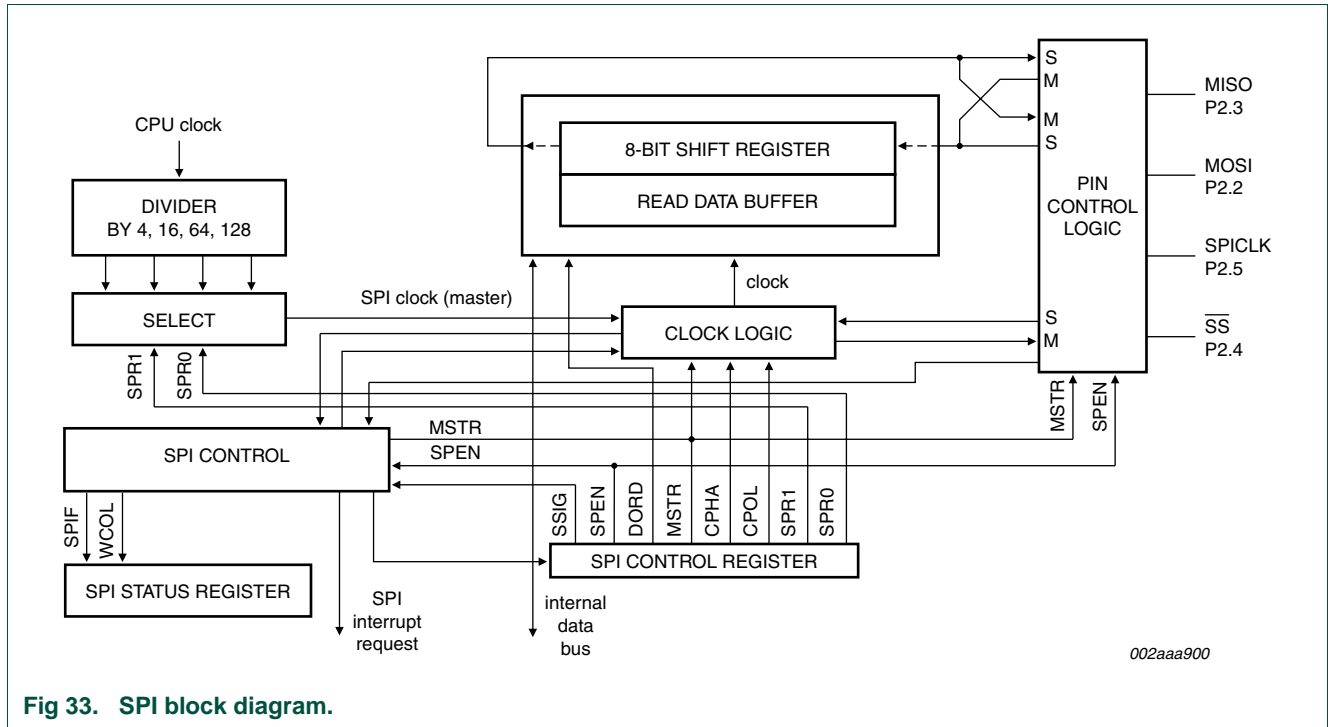


Fig 33. SPI block diagram.

The SPI interface has four pins: SPICLK, MOSI, MISO and \overline{SS} :

- SPICLK, MOSI and MISO are typically tied together between two or more SPI devices. Data flows from master to slave on the MOSI (Master Out Slave In) pin and flows from slave to master on the MISO (Master In Slave Out) pin. The SPICLK signal is output in the master mode and is input in the slave mode. If the SPI system is disabled, i.e. SPEN (SPCTL.6) = 0 (reset value), these pins are configured for port functions.
- \overline{SS} is the optional slave select pin. In a typical configuration, an SPI master asserts one of its port pins to select one SPI device as the current slave. An SPI slave device uses its \overline{SS} pin to determine whether it is selected. The \overline{SS} is ignored if any of the following conditions are true:
 - If the SPI system is disabled, i.e. SPEN (SPCTL.6) = 0 (reset value)
 - If the SPI is configured as a master, i.e., MSTR (SPCTL.4) = 1, and P2.4 is configured as an output (via the P2M1.4 and P2M2.4 SFR bits);
 - If the \overline{SS} pin is ignored, i.e. SSIG (SPCTL.7) bit = 1, this pin is configured for port functions.

Note that even if the SPI is configured as a master (MSTR = 1), it can still be converted to a slave by driving the \overline{SS} pin low (if P2.4 is configured as input and SSIG = 0). Should this happen, the SPIF bit (SPSTAT.7) will be set (see [Section 12.4 “Mode change on SS”](#))

Typical connections are shown in [Figure 34](#) to [Figure 36](#).

Table 76. SPI Control register (SPCTL - address E2h) bit allocation

Bit	7	6	5	4	3	2	1	0
Symbol	SSIG	SPEN	DORD	MSTR	CPOL	CPHA	SPR1	SPR0
Reset	0	0	0	0	0	1	0	0

Table 77. SPI Control register (SPCTL - address E2h) bit description

Bit	Symbol	Description
0	SPR0	SPI Clock Rate Select
1	SPR1	SPR1, SPR0: 00 — $CCLK/4$ 01 — $CCLK/16$ 10 — $CCLK/64$ 11 — $CCLK/128$
2	CPHA	SPI Clock PHase select (see Figure 37 to Figure 40): 1 — Data is driven on the leading edge of SPICLK, and is sampled on the trailing edge. 0 — Data is driven when \overline{SS} is low (SSIG = 0) and changes on the trailing edge of SPICLK, and is sampled on the leading edge. (Note: If SSIG = 1, the operation is not defined.)
3	CPOL	SPI Clock POLarity (see Figure 37 to Figure 40): 1 — SPICLK is high when idle. The leading edge of SPICLK is the falling edge and the trailing edge is the rising edge. 0 — SPICLK is low when idle. The leading edge of SPICLK is the rising edge and the trailing edge is the falling edge.
4	MSTR	Master/Slave mode Select (see Table 81).
5	DORD	SPI Data ORDer. 1 — The LSB of the data word is transmitted first. 0 — The MSB of the data word is transmitted first.
6	SPEN	SPI Enable. 1 — The SPI is enabled. 0 — The SPI is disabled and all SPI pins will be port pins.
7	SSIG	\overline{SS} IGnore. 1 — MSTR (bit 4) decides whether the device is a master or slave. 0 — The \overline{SS} pin decides whether the device is master or slave. The \overline{SS} pin can be used as a port pin (see Table 81).

Table 78. SPI Status register (SPSTAT - address E1h) bit allocation

Bit	7	6	5	4	3	2	1	0
Symbol	SPIF	WCOL	-	-	-	-	-	-
Reset	0	0	x	x	x	x	x	x

Table 79. SPI Status register (SPSTAT - address E1h) bit description

Bit	Symbol	Description
0:5	-	reserved
6	WCOL	SPI Write Collision Flag. The WCOL bit is set if the SPI data register, SPDAT, is written during a data transfer (see Section 12.5 "Write collision"). The WCOL flag is cleared in software by writing a logic 1 to this bit.
7	SPIF	SPI Transfer Completion Flag. When a serial transfer finishes, the SPIF bit is set and an interrupt is generated if both the ESPI (IEN1.3) bit and the EA bit are set. If \overline{SS} is an input and is driven low when SPI is in master mode, and SSIG = 0, this bit will also be set (see Section 12.4 "Mode change on SS"). The SPIF flag is cleared in software by writing a logic 1 to this bit.

Table 80. SPI Data register (SPDAT - address E3h) bit allocation

Bit	7	6	5	4	3	2	1	0
Symbol	MSB							LSB
Reset	0	0	0	0	0	0	0	0

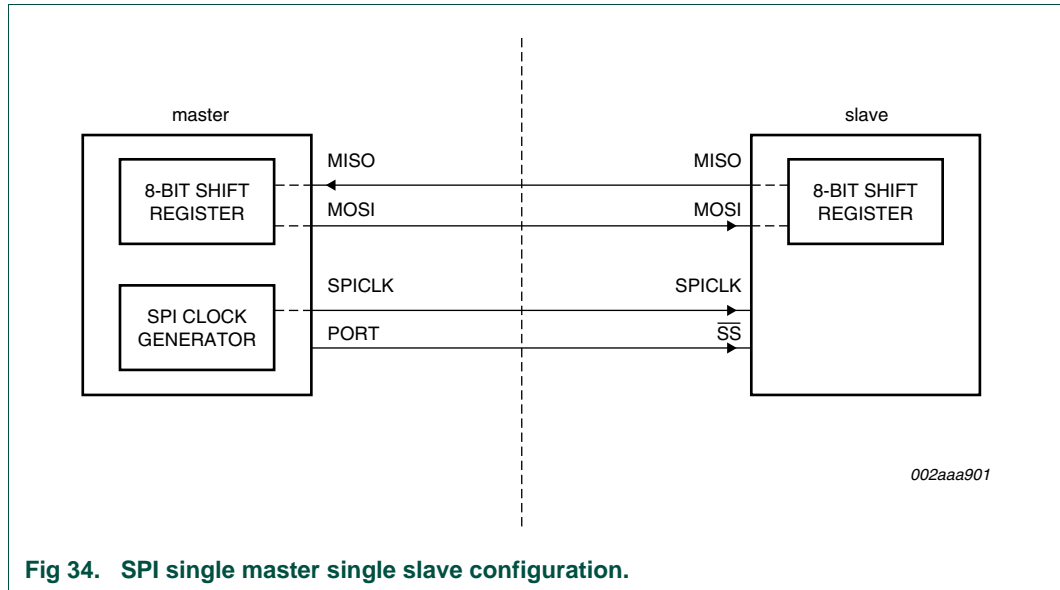


Fig 34. SPI single master single slave configuration.

In [Figure 34](#), SSIG (SPCTL.7) for the slave is logic 0, and \overline{SS} is used to select the slave. The SPI master can use any port pin (including P2.4/ \overline{SS}) to drive the \overline{SS} pin.

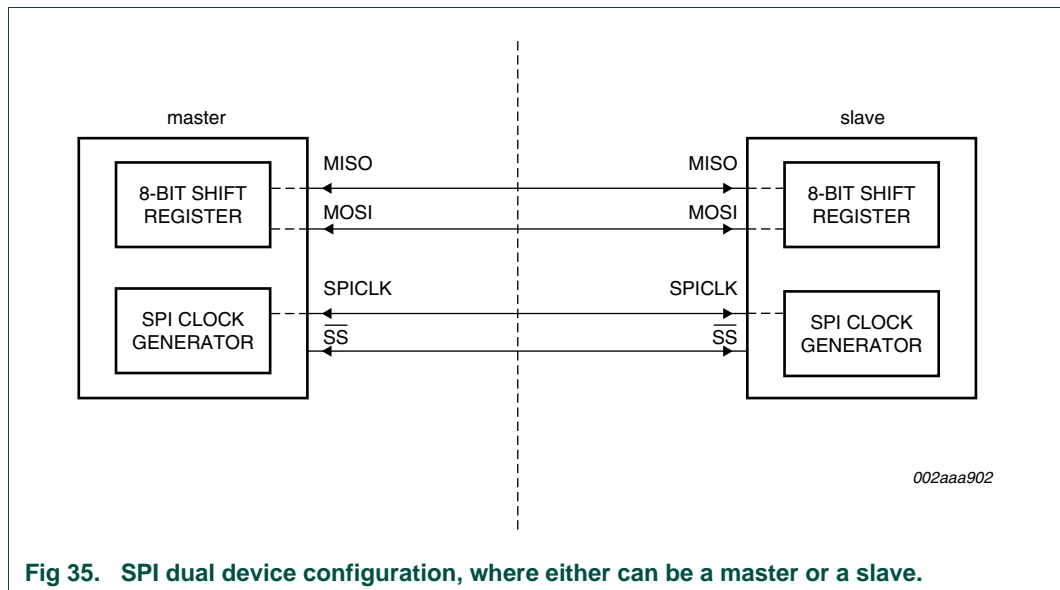


Fig 35. SPI dual device configuration, where either can be a master or a slave.

[Figure 35](#) shows a case where two devices are connected to each other and either device can be a master or a slave. When no SPI operation is occurring, both can be configured as masters (MSTR = 1) with SSIG cleared to 0 and P2.4 (\overline{SS}) configured in quasi-bidirectional mode. When a device initiates a transfer, it can configure P2.4 as an output and drive it low, forcing a mode change in the other device (see [Section 12.4 “Mode change on SS”](#)) to slave.

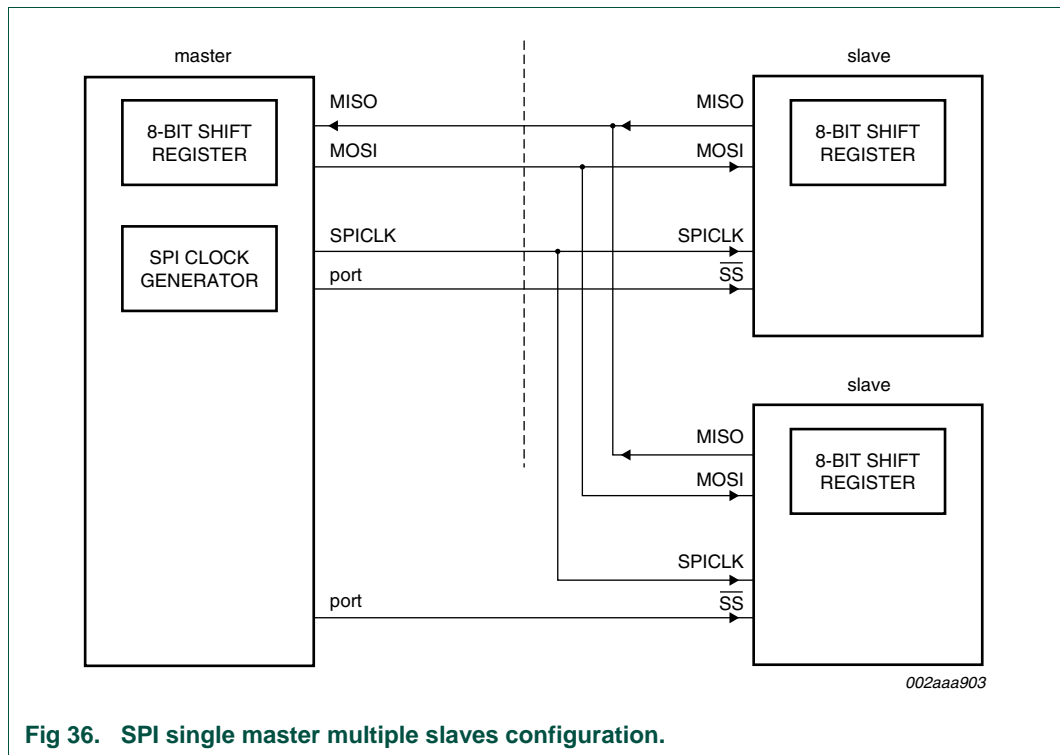


Fig 36. SPI single master multiple slaves configuration.

In [Figure 36](#), SSIG (SPCTL.7) bits for the slaves are logic 0, and the slaves are selected by the corresponding \overline{SS} signals. The SPI master can use any port pin (including P2.4/ \overline{SS}) to drive the \overline{SS} pins.

12.1 Configuring the SPI

[Table 81](#) shows configuration for the master/slave modes as well as usages and directions for the modes.

Table 81. SPI master and slave selection

SPEN	SSIG	\overline{SS} Pin	MSTR	Master or Slave Mode	MISO	MOSI	SPICLK	Remarks
0	x	P2.4 ^[1]	x	SPI Disabled	P2.3 ^[1]	P2.2 ^[1]	P2.5 ^[1]	SPI disabled. P2.2, P2.3, P2.4, P2.5 are used as port pins.
1	0	0	0	Slave	output	input	input	Selected as slave.
1	0	1	0	Slave	Hi-Z	input	input	Not selected. MISO is high-impedance to avoid bus contention.
1	0	0	1 (-> 0) ^[2]	Slave	output	input	input	P2.4/ \overline{SS} is configured as an input or quasi-bidirectional pin. SSIG is 0. Selected externally as slave if \overline{SS} is selected and is driven low. The MSTR bit will be cleared to logic 0 when \overline{SS} becomes low.

Table 81. SPI master and slave selection ...continued

SPEN	SSIG	SS Pin	MSTR	Master or Slave Mode	MISO	MOSI	SPICLK	Remarks
1	0	1	1	Master (idle)	input	Hi-Z	Hi-Z	MOSI and SPICLK are at high-impedance to avoid bus contention when the MAster is idle. The application must pull-up or pull-down SPICLK (depending on CPOL - SPCTL.3) to avoid a floating SPICLK.
				Master (active)		output	output	MOSI and SPICLK are push-pull when the Master is active.
1	1	P2.4 ^[1]	0	Slave	output	input	input	
1	1	P2.4 ^[1]	1	Master	input	output	output	

[1] Selected as a port function

[2] The MSTR bit changes to logic 0 automatically when \overline{SS} becomes low in input mode and SSIG is logic 0.

12.2 Additional considerations for a slave

When CPHA equals zero, SSIG must be logic 0 and the \overline{SS} pin must be negated and reasserted between each successive serial byte. If the SPDAT register is written while \overline{SS} is active (low), a write collision error results. The operation is undefined if CPHA is logic 0 and SSIG is logic 1.

When CPHA equals one, SSIG may be set to logic 1. If SSIG = 0, the \overline{SS} pin may remain active low between successive transfers (can be tied low at all times). This format is sometimes preferred in systems having a single fixed master and a single slave driving the MISO data line.

12.3 Additional considerations for a master

In SPI, transfers are always initiated by the master. If the SPI is enabled (SPEN = 1) and selected as master, writing to the SPI data register by the master starts the SPI clock generator and data transfer. The data will start to appear on MOSI about one half SPI bit-time to one SPI bit-time after data is written to SPDAT.

Note that the master can select a slave by driving the \overline{SS} pin of the corresponding device low. Data written to the SPDAT register of the master is shifted out of the MOSI pin of the master to the MOSI pin of the slave, at the same time the data in SPDAT register in slave side is shifted out on MISO pin to the MISO pin of the master.

After shifting one byte, the SPI clock generator stops, setting the transfer completion flag (SPIF) and an interrupt will be created if the SPI interrupt is enabled (ESPI, or IEN1.3 = 1). The two shift registers in the master CPU and slave CPU can be considered as one distributed 16-bit circular shift register. When data is shifted from the master to the slave, data is also shifted in the opposite direction simultaneously. This means that during one shift cycle, data in the master and the slave are interchanged.

12.4 Mode change on \overline{SS}

If SPEN = 1, SSIG = 0 and MSTR = 1, the SPI is enabled in master mode. The \overline{SS} pin can be configured as an input (P2M2.4, P2M1.4 = 00) or quasi-bidirectional (P2M2.4, P2M1.4 = 01). In this case, another master can drive this pin low to select this device as an SPI

slave and start sending data to it. To avoid bus contention, the SPI becomes a slave. As a result of the SPI becoming a slave, the MOSI and SPICLK pins are forced to be an input and MISO becomes an output.

The SPIF flag in SPSTAT is set, and if the SPI interrupt is enabled, an SPI interrupt will occur.

User software should always check the MSTR bit. If this bit is cleared by a slave select and the user wants to continue to use the SPI as a master, the user must set the MSTR bit again, otherwise it will stay in slave mode.

12.5 Write collision

The SPI is single buffered in the transmit direction and double buffered in the receive direction. New data for transmission can not be written to the shift register until the previous transaction is complete. The WCOL (SPSTAT.6) bit is set to indicate data collision when the data register is written during transmission. In this case, the data currently being transmitted will continue to be transmitted, but the new data, i.e., the one causing the collision, will be lost.

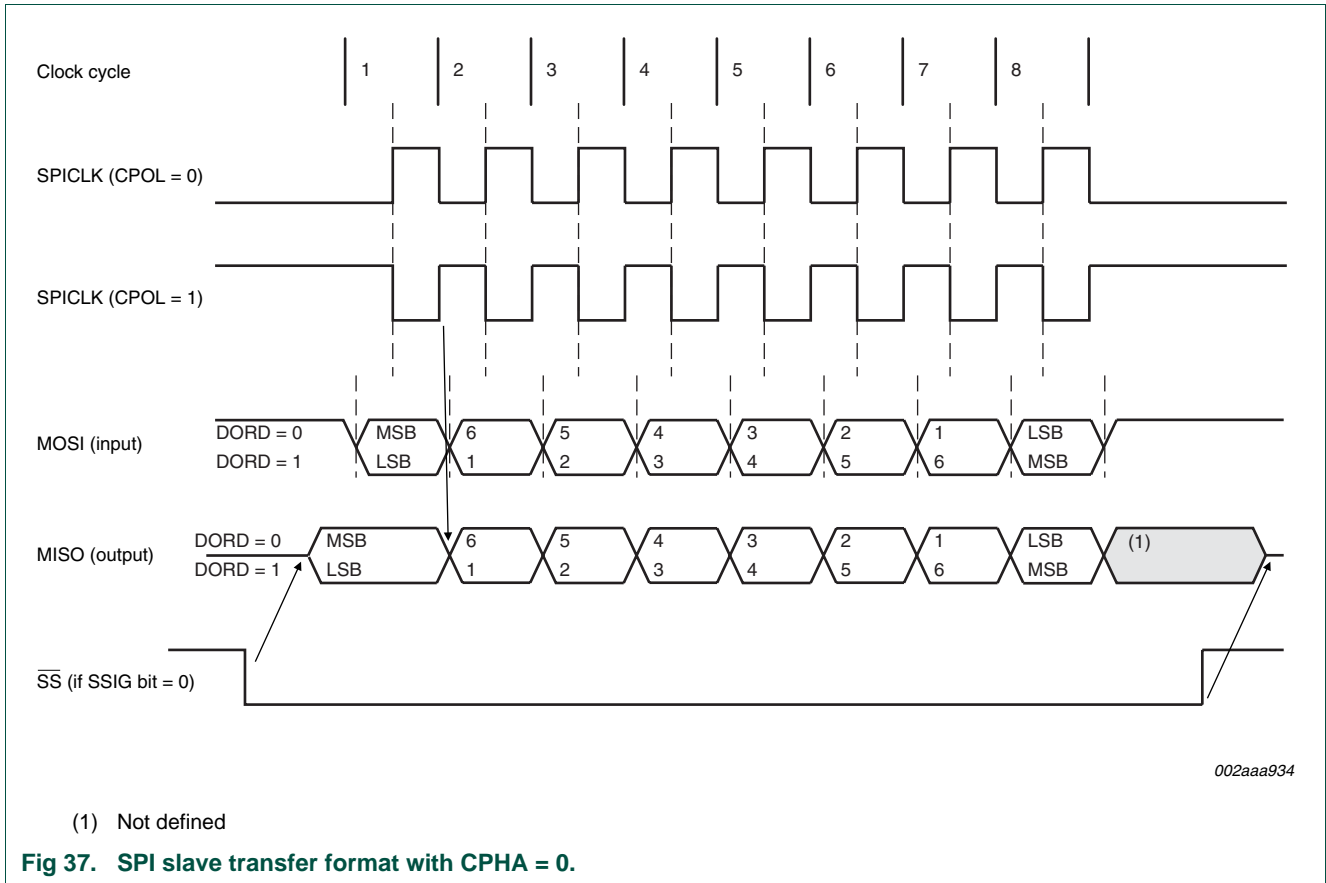
While write collision is detected for both a master or a slave, it is uncommon for a master because the master has full control of the transfer in progress. The slave, however, has no control over when the master will initiate a transfer and therefore collision can occur.

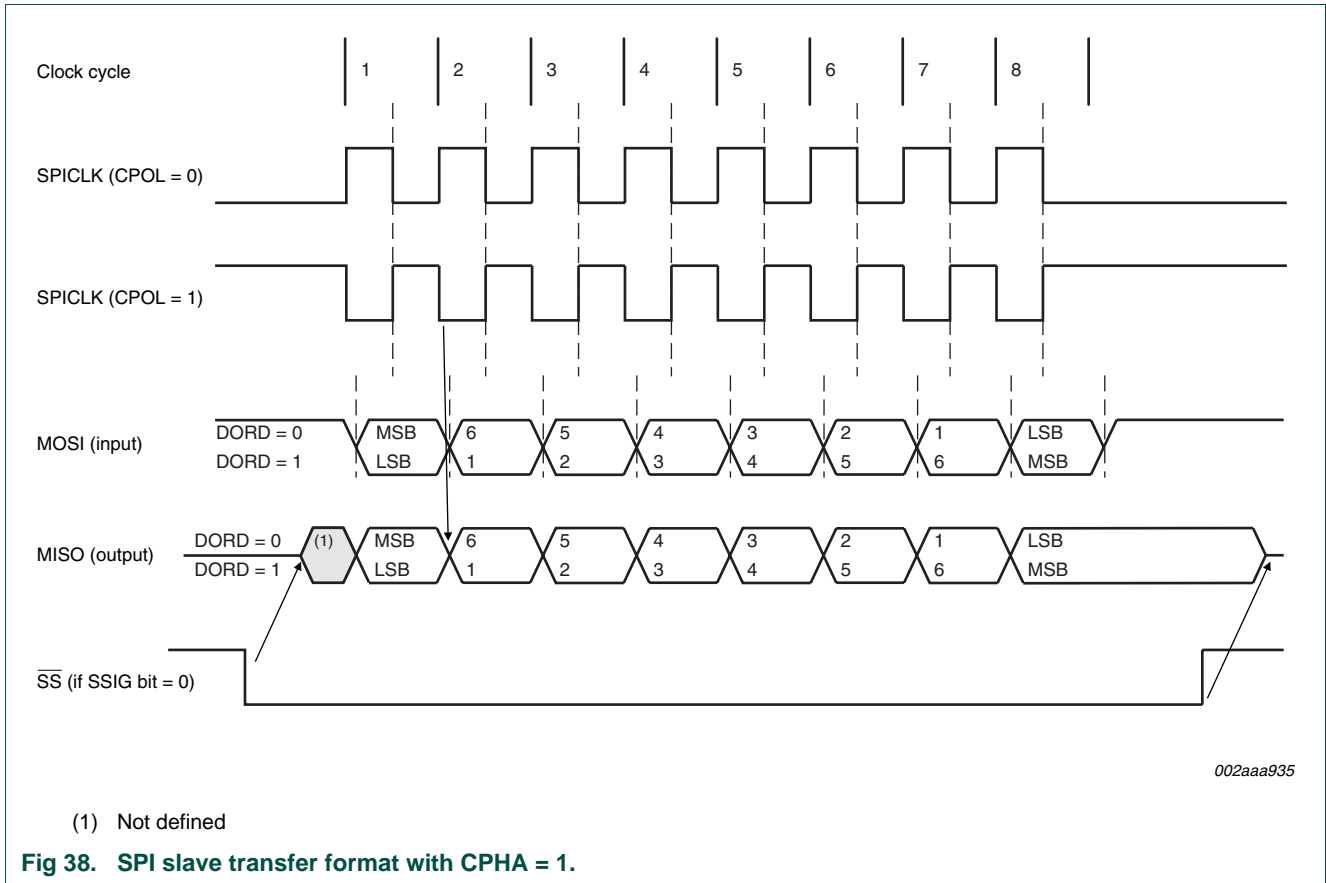
For receiving data, received data is transferred into a parallel read data buffer so that the shift register is free to accept a second character. However, the received character must be read from the Data Register before the next character has been completely shifted in. Otherwise, the previous data is lost.

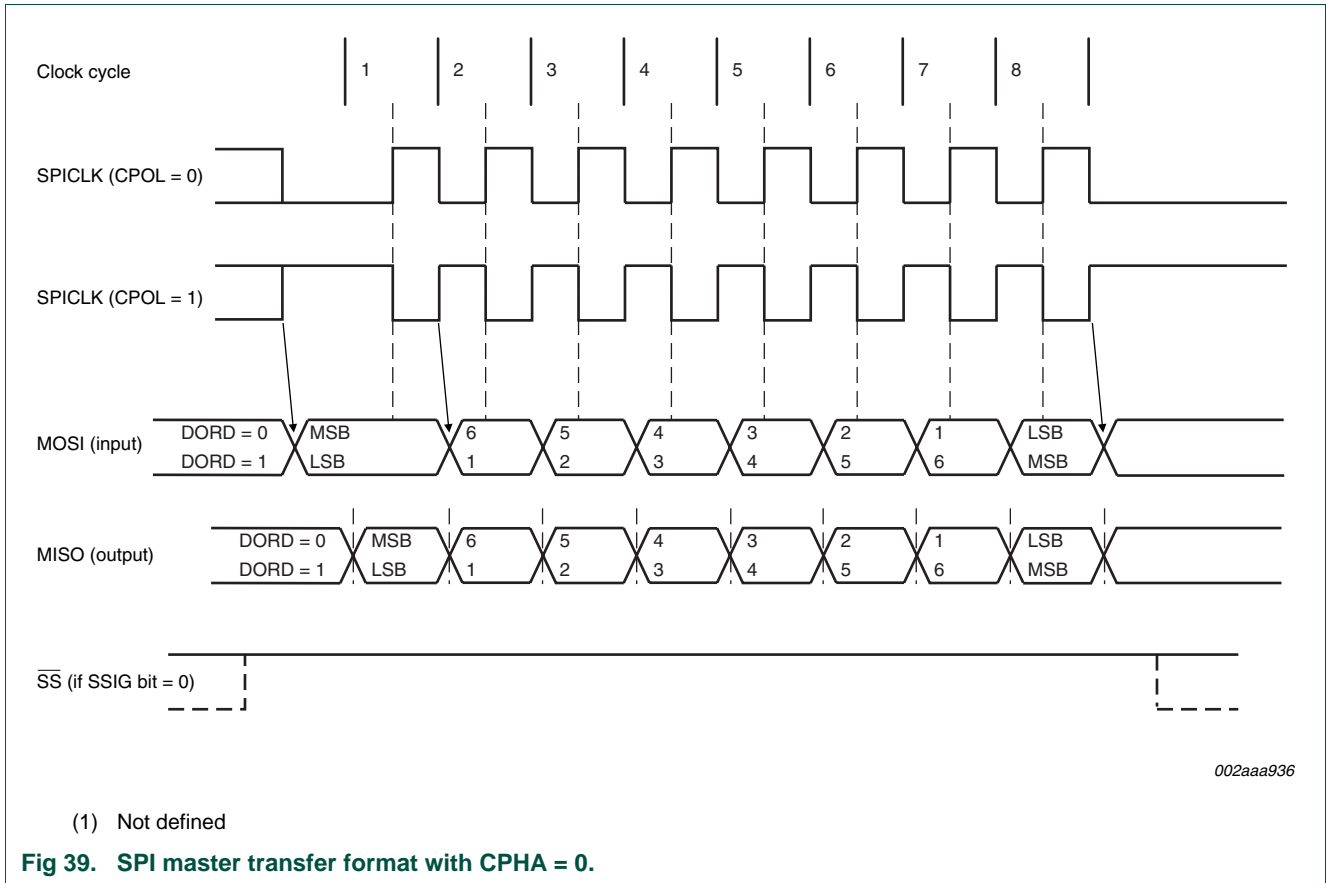
WCOL can be cleared in software by writing a logic 1 to the bit.

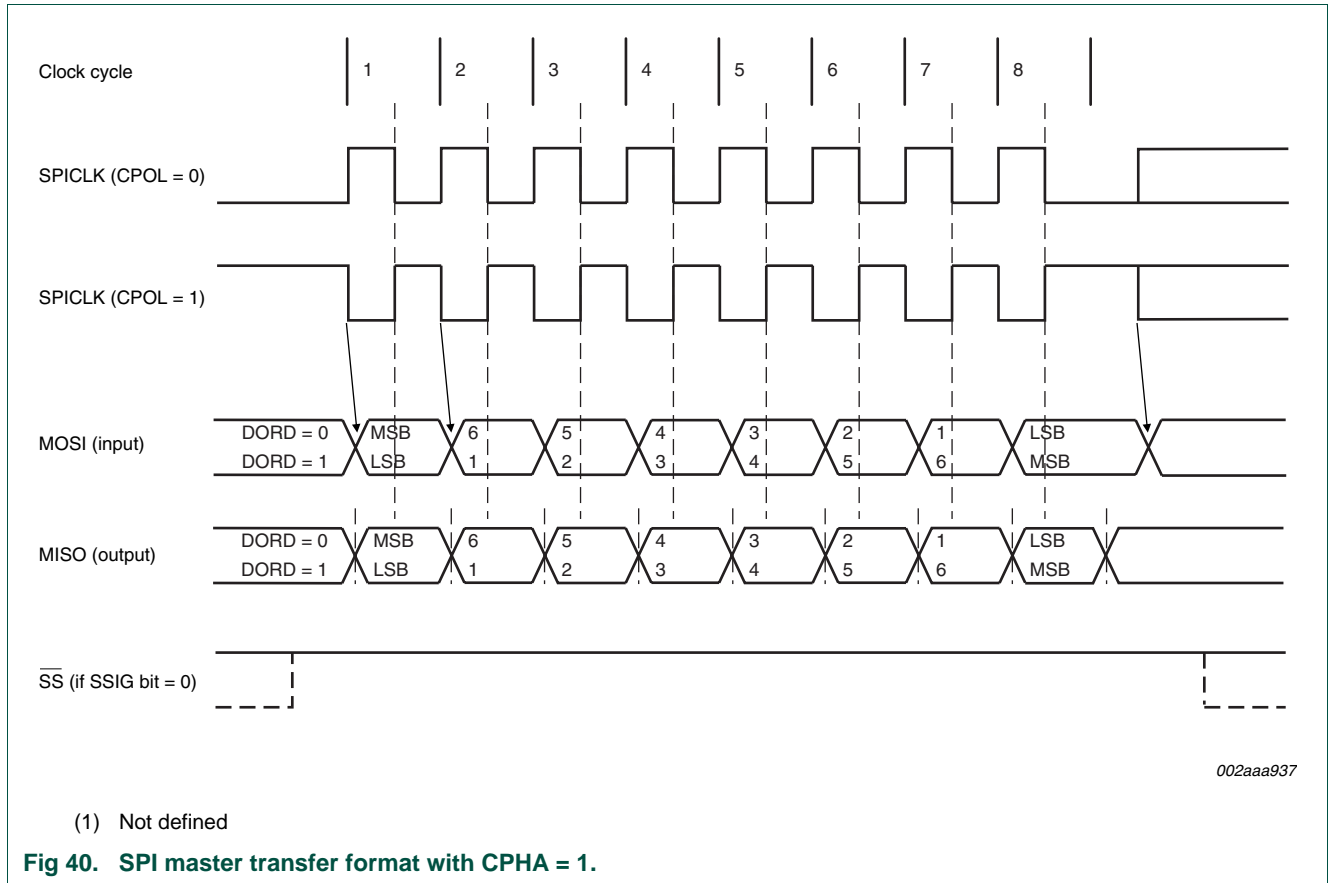
12.6 Data mode

Clock Phase Bit (CPHA) allows the user to set the edges for sampling and changing data. The Clock Polarity bit, CPOL, allows the user to set the clock polarity. [Figure 37](#) to [Figure 40](#) show the different settings of Clock Phase bit CPHA.









12.7 SPI clock prescaler select

The SPI clock prescaler selection uses the SPR1-SPR0 bits in the SPCTL register (see [Table 77](#)).

13. Analog comparators

Two analog comparators are provided on the P89LPC952/954. Input and output options allow use of the comparators in a number of different configurations. Comparator operation is such that the output is a logic 1 (which may be read in a register and/or routed to a pin) when the positive input (one of two selectable pins) is greater than the negative input (selectable from a pin or an internal reference voltage). Otherwise the output is a zero. Each comparator may be configured to cause an interrupt when the output value changes.

13.1 Comparator configuration

Each comparator has a control register, CMP1 for comparator 1 and CMP2 for comparator 2. The control registers are identical and are shown in [Table 83](#).

The overall connections to both comparators are shown in [Figure 41](#). There are eight possible configurations for each comparator, as determined by the control bits in the corresponding CMPn register: CPn, CNn, and OEn. These configurations are shown in [Figure 42](#).

When each comparator is first enabled, the comparator output and interrupt flag are not guaranteed to be stable for 10 microseconds. The corresponding comparator interrupt should not be enabled during that time, and the comparator interrupt flag must be cleared before the interrupt is enabled in order to prevent an immediate interrupt service.

Table 82. Comparator Control register (CMP1 - address ACh, CMP2 - address ADh) bit allocation

Bit	7	6	5	4	3	2	1	0
Symbol	-	-	CEn	CPn	CNn	OEn	CO _n	CMFn
Reset	x	x	0	0	0	0	0	0

Table 83. Comparator Control register (CMP1 - address ACh, CMP2 - address ADh) bit description

Bit	Symbol	Description
0	CMFn	Comparator interrupt flag. This bit is set by hardware whenever the comparator output CO _n changes state. This bit will cause a hardware interrupt if enabled. Cleared by software.
1	CO _n	Comparator output, synchronized to the CPU clock to allow reading by software.
2	OEn	Output enable. When logic 1, the comparator output is connected to the CMPn pin if the comparator is enabled (CEn = 1). This output is asynchronous to the CPU clock.
3	CNn	Comparator negative input select. When logic 0, the comparator reference pin CMPREF is selected as the negative comparator input. When logic 1, the internal comparator reference, V _{ref} , is selected as the negative comparator input.
4	CPn	Comparator positive input select. When logic 0, CINnA is selected as the positive comparator input. When logic 1, CINnB is selected as the positive comparator input.
5	CEn	Comparator enable. When set, the corresponding comparator function is enabled. Comparator output is stable 10 microseconds after CEn is set.
6:7	-	reserved

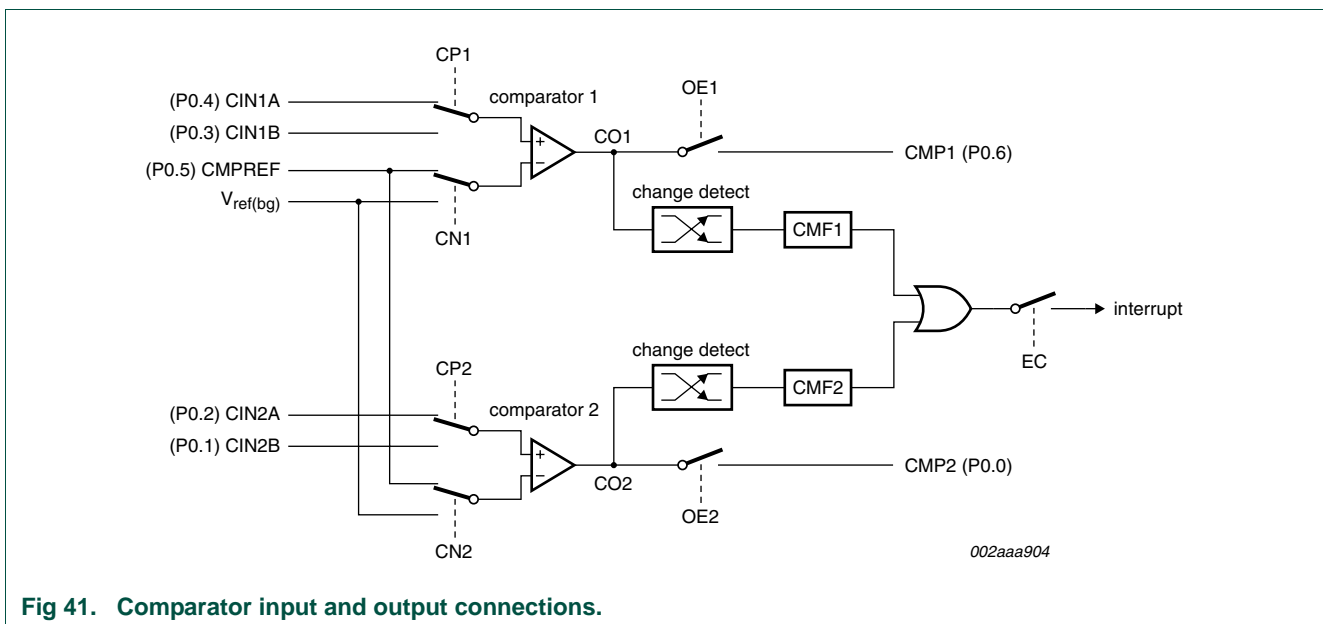


Fig 41. Comparator input and output connections.

13.2 Internal reference voltage

An internal reference voltage, V_{ref} , may supply a default reference when a single comparator input pin is used. Please refer to the *P89LPC952/954 data sheet* for specifications

13.3 Comparator input pins

Comparator input and reference pins maybe be used as either digital I/O or as inputs to the comparator. When used as digital I/O these pins are 5 V tolerant. However, when selected as comparator input signals in CMPn lower voltage limits apply. Please refer to the *P89LPC952/954 data sheet* for specifications.

13.4 Comparator interrupt

Each comparator has an interrupt flag CMFn contained in its configuration register. This flag is set whenever the comparator output changes state. The flag may be polled by software or may be used to generate an interrupt. The two comparators use one common interrupt vector. The interrupt will be generated when the interrupt enable bit EC in the IEN1 register is set and the interrupt system is enabled via the EA bit in the IEN0 register. If both comparators enable interrupts, after entering the interrupt service routine, the user will need to read the flags to determine which comparator caused the interrupt.

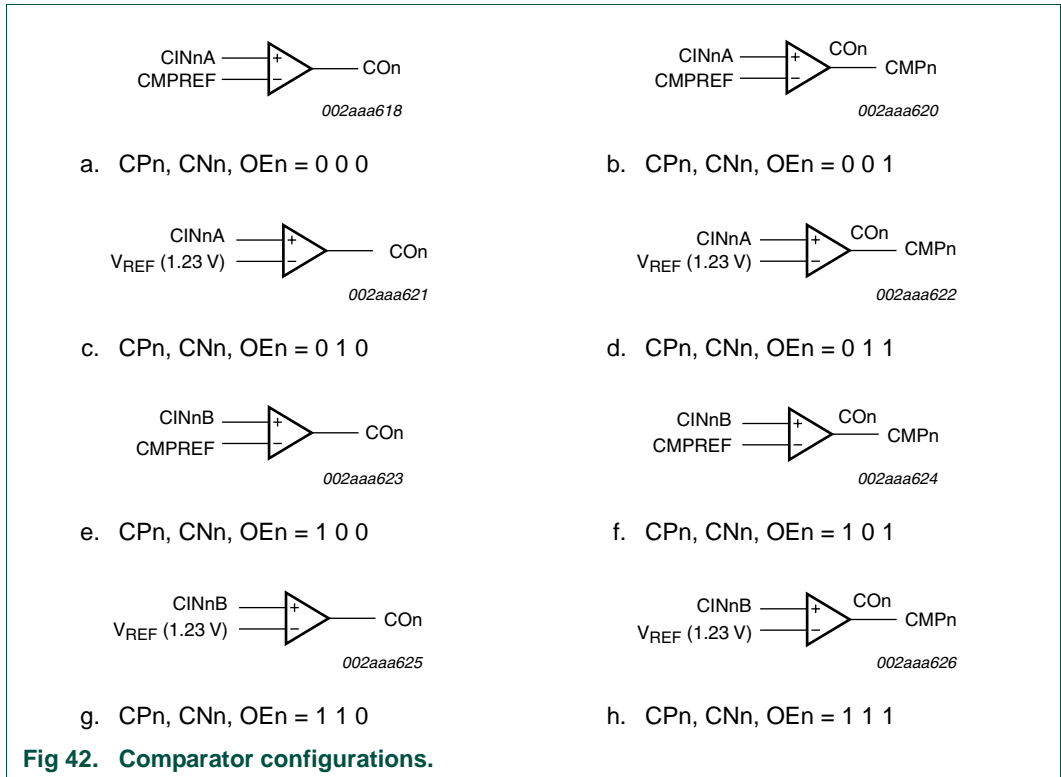
When a comparator is disabled the comparator's output, COx, goes high. If the comparator output was low and then is disabled, the resulting transition of the comparator output from a low to high state will set the comparator flag, CMFx. This will cause an interrupt if the comparator interrupt is enabled. The user should therefore disable the comparator interrupt prior to disabling the comparator. Additionally, the user should clear the comparator flag, CMFx, after disabling the comparator.

13.5 Comparators and power reduction modes

Either or both comparators may remain enabled when Power-down mode or Idle mode is activated, but both comparators are disabled automatically in Total Power-down mode.

If a comparator interrupt is enabled (except in Total Power-down mode), a change of the comparator output state will generate an interrupt and wake-up the processor. If the comparator output to a pin is enabled, the pin should be configured in the push-pull mode in order to obtain fast switching times while in Power-down mode. The reason is that with the oscillator stopped, the temporary strong pull-up that normally occurs during switching on a quasi-bidirectional port pin does not take place.

Comparators consume power in Power-down mode and Idle mode, as well as in the normal operating mode. This should be taken into consideration when system power consumption is an issue. To minimize power consumption, the user can power-down the comparators by disabling the comparators and setting PCONA.5 to logic 1, or simply putting the device in Total Power-down mode.



13.6 Comparators configuration example

The code shown below is an example of initializing one comparator. Comparator 1 is configured to use the CIN1A and CMPREF inputs, outputs the comparator result to the CMP1 pin, and generates an interrupt when the comparator output changes.

```

CMPINIT:
    MOV  PTOAD,#030h           ;Disable digital INPUTS on CIN1A, CMPREF.
    ANL  POM2,#0CFh           ;Disable digital OUTPUTS on pins that are used
                                ;for analog functions: CIN1A, CMPREF.
    ORL  POM1,#030h           ;Turn on comparator 1 and set up for:
                                ;Positive input on CIN1A.
    MOV  CMP1,#024h           ;Negative input from CMPREF

pin.
                                ;Output to CMP1 pin enabled.
    CALL delay10us           ;The comparator needs at least 10 microseconds
before use.
    ANL  CMP1,#0FEh           ;Clear comparator 1 interrupt flag.
    SETB EC                   ;Enable the comparator interrupt,
    SETB EA                   ;Enable the interrupt system (if needed).
    RET                       ;Return to caller.
    
```

The interrupt routine used for the comparator must clear the interrupt flag (CMF1 in this case) before returning

14. Keypad interrupt (KBI)

The Keypad Interrupt function is intended primarily to allow a single interrupt to be generated when Port 0 is equal to or not equal to a certain pattern. This function can be used for bus address recognition or keypad recognition. The user can configure the port via SFRs for different tasks.

There are three SFRs used for this function. The Keypad Interrupt Mask Register (KBMASK) is used to define which input pins connected to Port 0 are enabled to trigger the interrupt. The Keypad Pattern Register (KBPATN) is used to define a pattern that is compared to the value of Port 0. The Keypad Interrupt Flag (KBIF) in the Keypad Interrupt Control Register (KBCON) is set when the condition is matched while the Keypad Interrupt function is active. An interrupt will be generated if it has been enabled by setting the EKBI bit in IEN1 register and EA = 1. The PATN_SEL bit in the Keypad Interrupt Control Register (KBCON) is used to define equal or not-equal for the comparison.

In order to use the Keypad Interrupt as an original KBI function like in the 87LPC76x series, the user needs to set KBPATN = 0FFH and PATN_SEL = 0 (not equal), then any key connected to Port0 which is enabled by KBMASK register is will cause the hardware to set KBIF = 1 and generate an interrupt if it has been enabled. The interrupt may be used to wake-up the CPU from Idle or Power-down modes. This feature is particularly useful in handheld, battery powered systems that need to carefully manage power consumption yet also need to be convenient to use.

In order to set the flag and cause an interrupt, the pattern on Port 0 must be held longer than 6 CCLKs

Table 84. Keypad Pattern register (KBPATN - address 93h) bit allocation

Bit	7	6	5	4	3	2	1	0
Symbol	KBPATN.7	KBPATN.6	KBPATN.5	KBPATN.4	KBPATN.3	KBPATN.2	KBPATN.1	KBPATN.0
Reset	1	1	1	1	1	1	1	1

Table 85. Keypad Pattern register (KBPATN - address 93h) bit description

Bit	Symbol	Access	Description
0:7	KBPATN.7:0	R/W	Pattern bit 0 - bit 7

Table 86. Keypad Control register (KBCON - address 94h) bit allocation

Bit	7	6	5	4	3	2	1	0
Symbol	-	-	-	-	-	-	PATN_SEL	KBIF
Reset	x	x	x	x	x	x	0	0

Table 87. Keypad Control register (KBCON - address 94h) bit description

Bit	Symbol	Access	Description
0	KBIF	R/W	Keypad Interrupt Flag. Set when Port 0 matches user defined conditions specified in KBPATN, KBMASK, and PATN_SEL. Needs to be cleared by software by writing logic 0.
1	PATN_SEL	R/W	Pattern Matching Polarity selection. When set, Port 0 has to be equal to the user-defined Pattern in KBPATN to generate the interrupt. When clear, Port 0 has to be not equal to the value of KBPATN register to generate the interrupt.
2:7	-	-	reserved

Table 88. Keypad Interrupt Mask register (KBMASK - address 86h) bit allocation

Bit	7	6	5	4	3	2	1	0
Symbol	KBMASK.7	KBMASK.6	KBMASK.5	KBMASK.4	KBMASK.3	KBMASK.2	KBMASK.1	KBMASK.0
Reset	0	0	0	0	0	0	0	0

Table 89. Keypad Interrupt Mask register (KBMASK - address 86h) bit description

Bit	Symbol	Description
0	KBMASK.0	When set, enables P0.0 as a cause of a Keypad Interrupt.
1	KBMASK.1	When set, enables P0.1 as a cause of a Keypad Interrupt.
2	KBMASK.2	When set, enables P0.2 as a cause of a Keypad Interrupt.
3	KBMASK.3	When set, enables P0.3 as a cause of a Keypad Interrupt.
4	KBMASK.4	When set, enables P0.4 as a cause of a Keypad Interrupt.
5	KBMASK.5	When set, enables P0.5 as a cause of a Keypad Interrupt.
6	KBMASK.6	When set, enables P0.6 as a cause of a Keypad Interrupt.
7	KBMASK.7	When set, enables P0.7 as a cause of a Keypad Interrupt.

[1] The Keypad Interrupt must be enabled in order for the settings of the KBMASK register to be effective.

15. Watchdog timer (WDT)

The watchdog timer subsystem protects the system from incorrect code execution by causing a system reset when it underflows as a result of a failure of software to feed the timer prior to the timer reaching its terminal count. The watchdog timer can only be reset by a power-on reset.

15.1 Watchdog function

The user has the ability using the WDCON and UCFG1 registers to control the run /stop condition of the WDT, the clock source for the WDT, the prescaler value, and whether the WDT is enabled to reset the device on underflow. In addition, there is a safety mechanism which forces the WDT to be enabled by values programmed into UCFG1 either through IAP or a commercial programmer.

The WDTE bit (UCFG1.7), if set, enables the WDT to reset the device on underflow. Following reset, the WDT will be running regardless of the state of the WDTE bit.

The WDRUN bit (WDCON.2) can be set to start the WDT and cleared to stop the WDT. Following reset this bit will be set and the WDT will be running. All writes to WDCON need to be followed by a feed sequence (see [Section 15.2](#)). Additional bits in WDCON allow the user to select the clock source for the WDT and the prescaler.

When the timer is not enabled to reset the device on underflow, the WDT can be used in 'timer mode' and be enabled to produce an interrupt (IEN0.6) if desired

The Watchdog Safety Enable bit, WDSE (UCFG1.4) along with WDTE, is designed to force certain operating conditions at power-up. Refer to [Table 90](#) for details.

Figure 45 shows the watchdog timer in watchdog mode. It consists of a programmable 13-bit prescaler, and an 8-bit down counter. The down counter is clocked (decremented) by a tap taken from the prescaler. The clock source for the prescaler is either PCLK or the watchdog oscillator selected by the WDCLK bit in the WDCON register. (Note that switching of the clock sources will not take effect immediately - see Section 15.3).

The watchdog asserts the watchdog reset when the watchdog count underflows and the watchdog reset is enabled. When the watchdog reset is enabled, writing to WDL or WDCON must be followed by a feed sequence for the new values to take effect.

If a watchdog reset occurs, the internal reset is active for at least one watchdog clock cycle (PCLK or the watchdog oscillator clock). If CCLK is still running, code execution will begin immediately after the reset cycle. If the processor was in Power-down mode, the watchdog reset will start the oscillator and code execution will resume after the oscillator is stable.

Table 90. Watchdog timer configuration

WDTE	WDSE	FUNCTION
0	x	The watchdog reset is disabled. The timer can be used as an internal timer and can be used to generate an interrupt. WDSE has no effect.
1	0	The watchdog reset is enabled. The user can set WDCLK to choose the clock source.
1	1	The watchdog reset is enabled, along with additional safety features: <ol style="list-style-type: none"> 1. WDCLK is forced to 1 (using watchdog oscillator) 2. WDCON and WDL register can only be written once 3. WDRUN is forced to 1

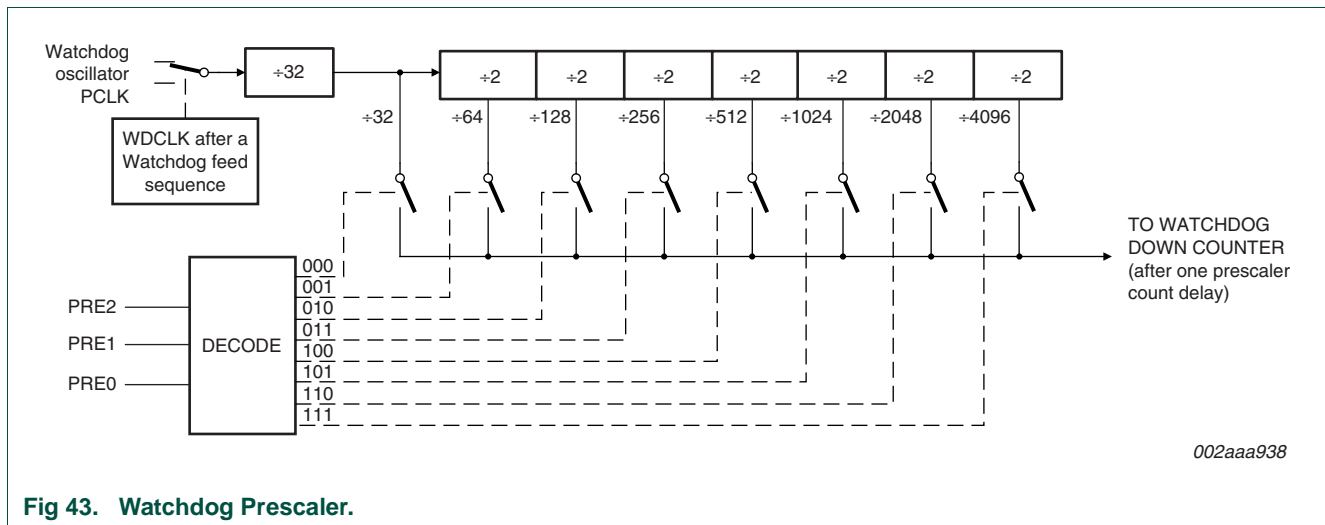


Fig 43. Watchdog Prescaler.

15.2 Feed sequence

The watchdog timer control register and the 8-bit down counter (See Figure 44) are not directly loaded by the user. The user writes to the WDCON and the WDL SFRs. At the end of a feed sequence, the values in the WDCON and WDL SFRs are loaded to the control register and the 8-bit down counter. Before the feed sequence, any new values written to

these two SFRs will not take effect. To avoid a watchdog reset, the watchdog timer needs to be fed (via a special sequence of software action called the feed sequence) prior to reaching an underflow.

To feed the watchdog, two write instructions must be sequentially executed successfully. Between the two write instructions, SFR reads are allowed, but writes are not allowed. The instructions should move A5H to the WFEED1 register and then 5AH to the WFEED2 register. An incorrect feed sequence will cause an immediate watchdog reset. The program sequence to feed the watchdog timer is as follows:

```
CLR  EA           ;disable interrupt
MOV  WFEED1,#0A5h ;do watchdog feed part 1
MOV  WFEED2,#05Ah ;do watchdog feed part 2
SETB EA          ;enable interrupt
```

This sequence assumes that the P89LPC952/954 interrupt system is enabled and there is a possibility of an interrupt request occurring during the feed sequence. If an interrupt was allowed to be serviced and the service routine contained any SFR writes, it would trigger a watchdog reset. If it is known that no interrupt could occur during the feed sequence, the instructions to disable and re-enable interrupts may be removed.

In watchdog mode (WDTE = 1), writing the WDCON register must be IMMEDIATELY followed by a feed sequence to load the WDL to the 8-bit down counter, and the WDCON to the shadow register. If writing to the WDCON register is not immediately followed by the feed sequence, a watchdog reset will occur.

For example: setting WDRUN = 1:

```
MOV  ACC,WDCON    ;get WDCON
SETB ACC.2       ;set WD_RUN=1
MOV  WDL,#0FFh   ;New count to be loaded to 8-bit down counter
      CLR EA      ;disable interrupt
MOV  WDCON,ACC   ;write back to WDCON (after the watchdog is enabled, a feed
must occur           ; immediately)
MOV  WFEED1,#0A5h ;do watchdog feed part 1
MOV  WFEED2,#05Ah ;do watchdog feed part 2
      SETB EA     ;enable interrupt
```

In timer mode (WDTE = 0), WDCON is loaded to the control register every CCLK cycle (no feed sequence is required to load the control register), but a feed sequence is required to load from the WDL SFR to the 8-bit down counter before a time-out occurs.

The number of watchdog clocks before timing out is calculated by the following equations:

$$tclks = (2^{(5+PRE)})(WDL + 1) + 1 \quad (1)$$

where:

PRE is the value of prescaler (PRE2 to PRE0) which can be the range 0 to 7, and;

WDL is the value of watchdog load register which can be the range of 0 to 255.

The minimum number of tclks is:

$$tclks = (2^{(5+0)})(0 + 1) + 1 = 33 \quad (2)$$

The maximum number of tclks is:

$$tclks = (2^{(5+7)})(255 + 1) + 1 = 1048577 \tag{3}$$

[Table 93](#) shows sample P89LPC952/954 timeout values.

Table 91. Watchdog Timer Control register (WDCON - address A7h) bit allocation

Bit	7	6	5	4	3	2	1	0
Symbol	PRE2	PRE1	PRE0	-	-	WDRUN	WDTOF	WDCLK
Reset	1	1	1	x	x	1	1/0	1

Table 92. Watchdog Timer Control register (WDCON - address A7h) bit description

Bit	Symbol	Description
0	WDCLK	Watchdog input clock select. When set, the watchdog oscillator is selected. When cleared, PCLK is selected. (If the CPU is powered down, the watchdog is disabled if WDCLK = 0, see Section 15.5). (Note: If both WDTE and WDSE are set to 1, this bit is forced to 1.) Refer to Section 15.3 for details.
1	WDTOF	Watchdog Timer Time-Out Flag. This bit is set when the 8-bit down counter underflows. In watchdog mode, a feed sequence will clear this bit. It can also be cleared by writing a logic 0 to this bit in software.
2	WDRUN	Watchdog Run Control. The watchdog timer is started when WDRUN = 1 and stopped when WDRUN = 0. This bit is forced to 1 (watchdog running) and cannot be cleared to zero if both WDTE and WDSE are set to 1.
3:4	-	reserved
5	PRE0	
6	PRE1	Clock Prescaler Tap Select. Refer to Table 93 for details.
7	PRE2	

Table 93. Watchdog timeout vales

PRE2 to PRE0	WDL in decimal)	Timeout Period (in watchdog clock cycles)	Watchdog Clock Source	
			400 KHz Watchdog Oscillator Clock (Nominal)	12 MHz CCLK (6 MHz CCLK/2 Watchdog Clock)
000	0	33	82.5 μs	5.50 μs
	255	8,193	20.5 ms	1.37 ms
001	0	65	162.5 μs	10.8 μs
	255	16,385	41.0 ms	2.73 ms
010	0	129	322.5 μs	21.5 μs
	255	32,769	81.9 ms	5.46 ms
011	0	257	642.5 μs	42.8 μs
	255	65,537	163.8 ms	10.9 ms
100	0	513	1.28 ms	85.5 μs
	255	131,073	327.7 ms	21.8 ms
101	0	1,025	2.56 ms	170.8 μs
	255	262,145	655.4 ms	43.7 ms

Table 93. Watchdog timeout vales ...continued

PRE2 to PRE0	WDL in decimal)	Timeout Period (in watchdog clock cycles)	Watchdog Clock Source	
			400 KHz Watchdog Oscillator Clock (Nominal)	12 MHz CCLK (6 MHz CCLK ₂ Watchdog Clock)
110	0	2,049	5.12 ms	341.5 μs
	255	524,289	1.31 s	87.4 ms
111	0	4097	10.2 ms	682.8 μs
	255	1,048,577	2.62 s	174.8 ms

15.3 Watchdog clock source

The watchdog timer system has an on-chip 400 KHz oscillator. The watchdog timer can be clocked from either the watchdog oscillator or from PCLK (refer to [Figure 43](#)) by configuring the WDCLK bit in the Watchdog Control Register WDCON. When the watchdog feature is enabled, the timer must be fed regularly by software in order to prevent it from resetting the CPU.

After changing WDCLK (WDCON.0), switching of the clock source will not immediately take effect. As shown in [Figure 45](#), the selection is loaded after a watchdog feed sequence. In addition, due to clock synchronization logic, it can take two old clock cycles before the old clock source is deselected, and then an additional two new clock cycles before the new clock source is selected.

Since the prescaler starts counting immediately after a feed, switching clocks can cause some inaccuracy in the prescaler count. The inaccuracy could be as much as 2 old clock source counts plus 2 new clock cycles.

Note: When switching clocks, it is important that the old clock source is left enabled for two clock cycles after the feed completes. Otherwise, the watchdog may become disabled when the old clock source is disabled. For example, suppose PCLK (WCLK = 0) is the current clock source. After WCLK is set to logic 1, the program should wait at least two PCLK cycles (4 CCLKs) after the feed completes before going into Power-down mode. Otherwise, the watchdog could become disabled when CCLK turns off. The watchdog oscillator will never become selected as the clock source unless CCLK is turned on again first.

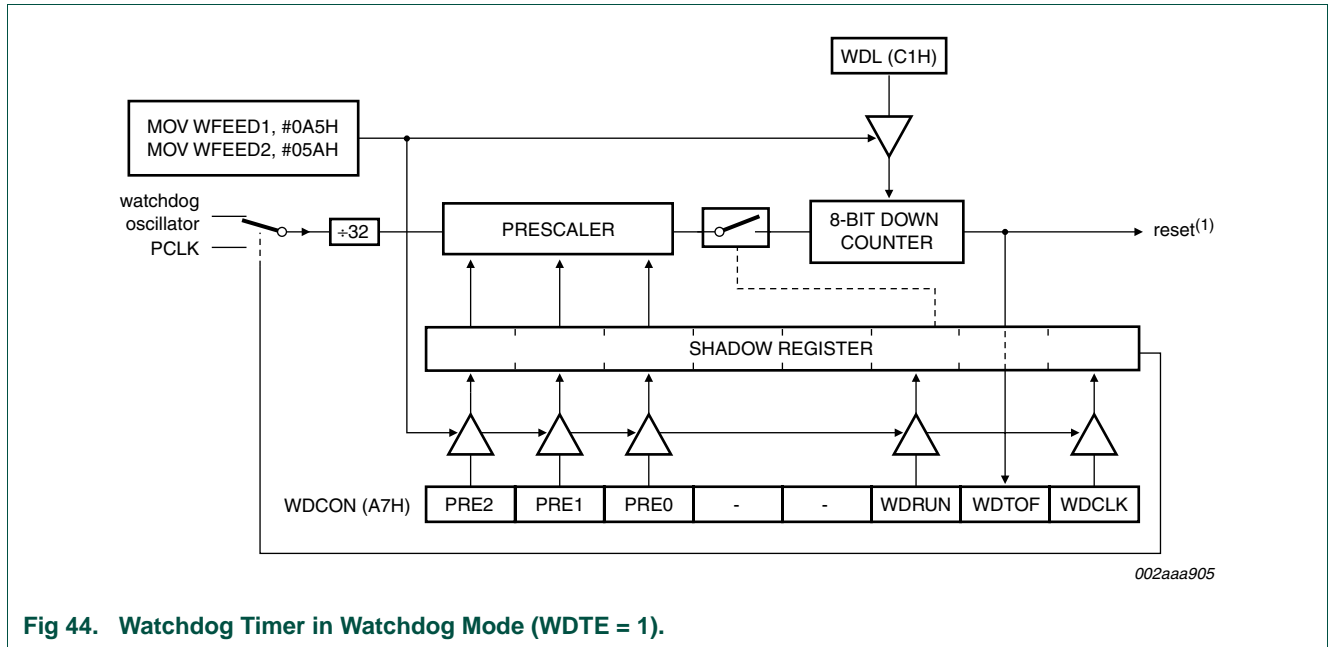


Fig 44. Watchdog Timer in Watchdog Mode (WDTE = 1).

15.4 Watchdog Timer in Timer mode

Figure 45 shows the Watchdog Timer in Timer Mode. In this mode, any changes to WDCON are written to the shadow register after one watchdog clock cycle. A watchdog underflow will set the WDTOF bit. If IEN0.6 is set, the watchdog underflow is enabled to cause an interrupt. WDTOF is cleared by writing a logic 0 to this bit in software. When an underflow occurs, the contents of WDL is reloaded into the down counter and the watchdog timer immediately begins to count down again.

A feed is necessary to cause WDL to be loaded into the down counter before an underflow occurs. Incorrect feeds are ignored in this mode.

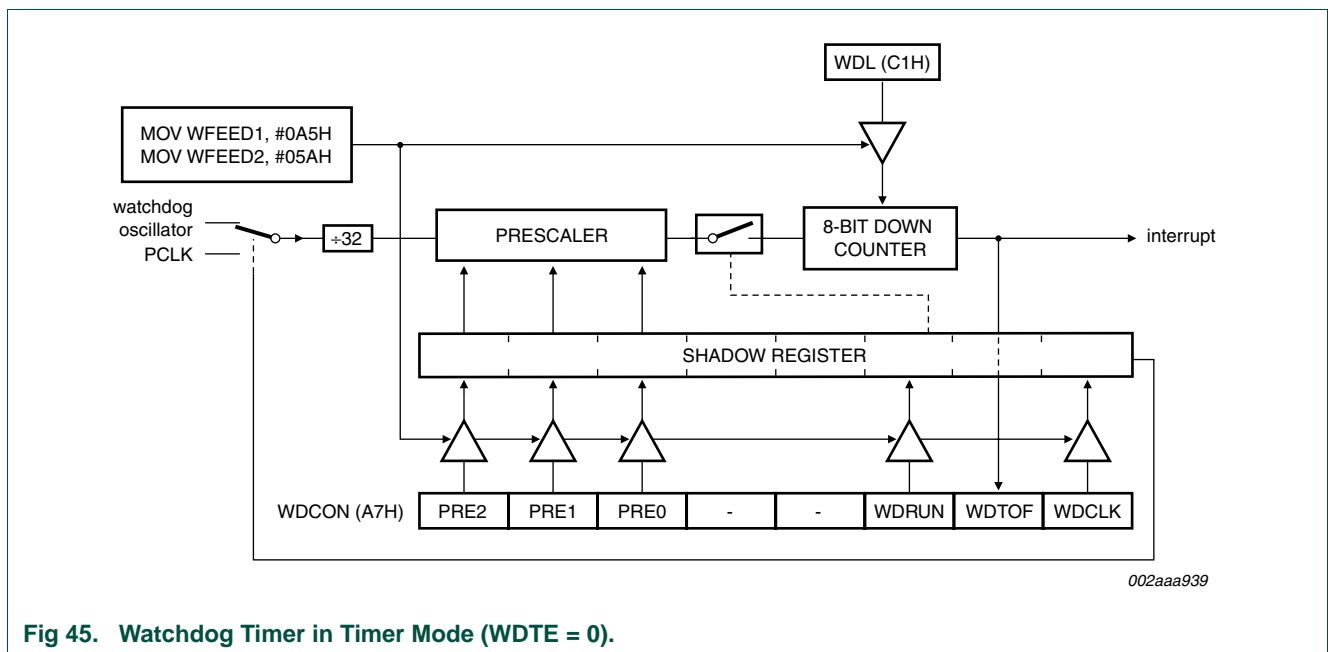


Fig 45. Watchdog Timer in Timer Mode (WDTE = 0).

15.5 Power-down operation

The WDT oscillator will continue to run in power-down, consuming approximately 50 μA , as long as the WDT oscillator is selected as the clock source for the WDT. Selecting PCLK as the WDT source will result in the WDT oscillator going into power-down with the rest of the device (see [Section 15.3](#)). Power-down mode will also prevent PCLK from running and therefore the watchdog is effectively disabled.

15.6 Periodic wake-up from power-down without an external oscillator

Without using an external oscillator source, the power consumption required in order to have a periodic wake-up is determined by the power consumption of the internal oscillator source used to produce the wake-up. The Real-time clock running from the internal RC oscillator can be used. The power consumption of this oscillator is approximately 300 μA . Instead, if the WDT is used to generate interrupts the current is reduced to approximately 50 μA . Whenever the WDT underflows, the device will wake-up.

16. Additional features

The AUXR1 register contains several special purpose control bits that relate to several chip features. AUXR1 is described in [Table 95](#)

Table 94. AUXR1 register (address A2h) bit allocation

Bit	7	6	5	4	3	2	1	0
Symbol	CLKLP	EBRR	ENT1	ENT0	SRST	0	-	DPS
Reset	0	0	0	0	0	0	x	0

Table 95. AUXR1 register (address A2h) bit description

Bit	Symbol	Description
0	DPS	Data Pointer Select. Chooses one of two Data Pointers.
1	-	Not used. Allowable to set to a logic 1.
2	0	This bit contains a hard-wired 0. Allows toggling of the DPS bit by incrementing AUXR1, without interfering with other bits in the register.
3	SRST	Software Reset. When set by software, resets the P89LPC952/954 as if a hardware reset occurred.
4	ENT0	When set the P1.2 pin is toggled whenever Timer 0 overflows. The output frequency is therefore one half of the Timer 0 overflow rate. Refer to Section 8 "Timers 0 and 1" for details.
5	ENT1	When set, the P0.7 pin is toggled whenever Timer 1 overflows. The output frequency is therefore one half of the Timer 1 overflow rate. Refer to Section 8 "Timers 0 and 1" for details.
6	EBRR	UART Break Detect Reset Enable. If logic 1, UART Break Detect will cause a chip reset and force the device into ISP mode.
7	CLKLP	Clock Low Power Select. When set, reduces power consumption in the clock circuits. Can be used when the clock frequency is 8 MHz or less. After reset this bit is cleared to support up to 12 MHz operation.

16.1 Software reset

The SRST bit in AUXR1 gives software the opportunity to reset the processor completely, as if an external reset or watchdog reset had occurred. If a value is written to AUXR1 that contains a 1 at bit position 3, all SFRs will be initialized and execution will resume at program address 0000. Care should be taken when writing to AUXR1 to avoid accidental software resets.

16.2 Dual Data Pointers

The dual Data Pointers (DPTR) adds to the ways in which the processor can specify the address used with certain instructions. The DPS bit in the AUXR1 register selects one of the two Data Pointers. The DPTR that is not currently selected is not accessible to software unless the DPS bit is toggled.

Specific instructions affected by the Data Pointer selection are:

INC DPTR — Increments the Data Pointer by 1

JMP @A+DPTR — Jump indirect relative to DPTR value

MOV DPTR, #data16 — Load the Data Pointer with a 16-bit constant

MOVC A, @A+DPTR — Move code byte relative to DPTR to the accumulator

MOVX A, @DPTR — Move accumulator to data memory relative to DPTR

MOVX @DPTR, A — Move from data memory relative to DPTR to the accumulator

Also, any instruction that reads or manipulates the DPH and DPL registers (the upper and lower bytes of the current DPTR) will be affected by the setting of DPS. The MOVX instructions have limited application for the P89LPC952/954 since the part does not have an external data bus. However, they may be used to access Flash configuration information (see Flash Configuration section) or auxiliary data (XDATA) memory.

Bit 2 of AUXR1 is permanently wired as a logic 0. This is so that the DPS bit may be toggled (thereby switching Data Pointers) simply by incrementing the AUXR1 register, without the possibility of inadvertently altering other bits in the register.

16.3 Debugger interface

This device contains a two-wire serial debugger interface designed to be used with commercially available debugging tools. An additional trigger output is provided that maybe triggered using the two-wire debugger interface.

The following conditions are required to enter the debug mode:

- UCFG2.5 has been programmed
- a 10K pullup resistor to V_{DD} is connected to SCLK
- a 10K pullup resistor to V_{DD} is connected to SDAT
- the debug pins are connected to a commercially available debugger
- either a power-on reset or external reset occurs

The Freeze register allows the user to selectively control clocking of peripheral device timers while in the debugger mode. When a freeze bit is set, the peripheral device will not be clocked while the debugger is performing monitor operations. However, when the debugger releases program control to the user’s application program, peripheral clocking will be resumed while executing user’s code.

Table 96. FREEZE register (address FFD0h) bit allocation

Bit	7	6	5	4	3	2	1	0
Symbol	-	-	-	RTC_F	-	WDT_F	T1_F	T0_F
Reset	x	x	x	0	0	0	0	0

Table 97. FREEZE register (address FFD0h) bit description

Bit	Symbol	Description
0	T0_F	Timer 0 Freeze bit. When set, the clock to Timer 0 will be frozen while performing monitor operations in debugger mode.
1	T1_F	Timer 1 Freeze bit. When set, the clock to Timer 1 will be frozen while performing monitor operations in debugger mode.
2	WDT_F	Watchdog timer Freeze bit. When set, the clock to the Watchdog timer will be frozen while performing monitor operations in debugger mode.
3	-	Not used.
4	RTC_F	Realtime Clock Freeze bit. When set, the clock to the RTC will be frozen while performing monitor operations in debugger mode.
5:7	-	Not used.

16.3.1 Debugger connections

The physical connection to the debugger requires the use of a 10-pin, dual-row male header, on 0.100- inch centers as shown in [Figure 46](#).

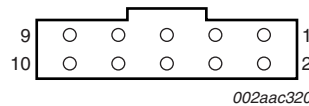


Fig 46. Debugger connections - top view

Table 98. Debugger interface connections

Pin	Signal	I/O	Description
1	V _{DD}	O	Used by debugger to determine target’s power-on state; draws minimal current.
2	TRIG	I	Trigger output from the debugger; active high.
3,5, 7, 9	V _{SS}	I	0 V reference.
4	TDI	I/O	Serial data signal.
6	$\overline{\text{RST}}$	i/O	Driven low by debugger to reset target system. Sampled by debugger to detect target reset events.
8	TCLK	I	Serial clock signal from the debugger.
10	DBINST	O	Debugger installed signal. Driven high by the debugger when debugger is active.

[1] I/O direction is with respect to the P89LPC952/954 target system.

17. Flash memory

17.1 General description

The P89LPC952/954 Flash memory provides in-circuit electrical erasure and programming. The Flash can be read and written as bytes. The Sector and Page Erase functions can erase any Flash sector (1 kB) or page (64 bytes). The Chip Erase operation will erase the entire program memory. Five Flash programming methods are available. On-chip erase and write timing generation contribute to a user-friendly programming interface. The P89LPC952/954 Flash reliably stores memory contents even after 400,000 erase and program cycles. The cell is designed to optimize the erase and programming mechanisms. P89LPC952/954 uses V_{DD} as the supply voltage to perform the Program/Erase algorithms

17.2 Features

- Parallel programming with industry-standard commercial programmers
- In-Circuit serial Programming (ICP) with industry-standard commercial programmers.
- IAP-Lite allows individual and multiple bytes of code memory to be used for data storage and programmed under control of the end application.
- Internal fixed boot ROM, containing low-level In-Application Programming (IAP) routines that can be called from the end application (in addition to IAP-Lite).
- Default serial loader providing In-System Programming (ISP) via the serial port, located in upper end of user program memory.
- Boot vector allows user provided Flash loader code to reside anywhere in the Flash memory space, providing flexibility to the user.
- Programming and erase over the full operating voltage range
- Read/Programming/Erase using ISP, IAP, IAP-Lite, ICP, and two-wire serial debugger
- Any flash program operation in 2 ms (4 ms for erase/program)
- Programmable security for the code in the Flash for each sector
- > 400,000 typical erase/program cycles for each byte
- 20-year minimum data retention

17.3 Flash programming and erase

The P89LPC952/954 program memory consists 1 kB sectors. Each sector can be further divided into 64-byte pages. In addition to sector erase and page erase, a 64-byte page register is included which allows from 1 to 64 bytes of a given page to be programmed at the same time, substantially reducing overall programming time. Six methods of programming this device are available.

- Parallel programming with industry-standard commercial programmers.
- In-Circuit serial Programming (ICP) with industry-standard commercial programmers.
- IAP-Lite allows individual and multiple bytes of code memory to be used for data storage and programmed under control of the end application.
- Internal fixed boot ROM, containing low-level In-Application Programming (IAP) routines that can be called from the end application (in addition to IAP-Lite).

- A factory-provided default serial loader, located in upper end of user program memory, providing In-System Programming (ISP) via the serial port.
- Two-wire serial debugger.

17.4 Using Flash as data storage: IAP-Lite

The Flash code memory array of this device supports IAP-Lite in addition to standard IAP functions. Any byte in a non-secured sector of the code memory array may be read using the MOVC instruction and thus is suitable for use as non-volatile data storage. IAP-Lite provides an erase-program function that makes it easy for one or more bytes within a page to be erased and programmed in a single operation without the need to erase or program any other bytes in the page. IAP-Lite is performed in the application under the control of the microcontroller's firmware using four SFRs and an internal 64-byte 'page register' to facilitate erasing and programming within unsecured sectors. These SFRs are:

- FMCON (Flash Control Register). When read, this is the status register. When written, this is a command register. Note that the status bits are cleared to logic 0s when the command is written.
- FMADRL, FMADRH (Flash memory address low, Flash memory address high). Used to specify the byte address within the page register or specify the page within user code memory
- FMDATA (Flash Data Register). Accepts data to be loaded into the page register.

The page register consists of 64 bytes and an update flag for each byte. When a LOAD command is issued to FMCON the page register contents and all of the update flags will be cleared. When FMDATA is written, the value written to FMDATA will be stored in the page register at the location specified by the lower 6 bits of FMADRL. In addition, the update flag for that location will be set. FMADRL will auto-increment to the next location. Auto-increment after writing to the last byte in the page register will 'wrap-around' to the first byte in the page register, but will not affect FMADRL[7:6]. Bytes loaded into the page register do not have to be continuous. Any byte location can be loaded into the page register by changing the contents of FMADRL prior to writing to FMDATA. However, each location in the page register can only be written once following each LOAD command. Attempts to write to a page register location more than once should be avoided.

FMADRH and FMADRL[7:6] are used to select a page of code memory for the erase-program function. When the erase-program command is written to FMCON, the locations within the code memory page that correspond to updated locations in the page register, will have their contents erased and programmed with the contents of their corresponding locations in the page register. Only the bytes that were loaded into the page register will be erased and programmed in the user code array. Other bytes within the user code memory will not be affected.

Writing the erase-program command (68H) to FMCON will start the erase-program process and place the CPU in a program-idle state. The CPU will remain in this idle state until the erase-program cycle is either completed or terminated by an interrupt. When the program-idle state is exited FMCON will contain status information for the cycle.

If an interrupt occurs during an erase/programming cycle, the erase/programming cycle will be aborted and the OI flag (Operation Interrupted) in FMCON will be set. If the application permits interrupts during erasing-programming the user code should check the

OI flag (FMCON.0) after each erase-programming operation to see if the operation was aborted. If the operation was aborted, the user's code will need to repeat the process starting with loading the page register.

The erase-program cycle takes 4 ms (2 ms for erase, 2 ms for programming) to complete, regardless of the number of bytes that were loaded into the page register.

Erasing-programming of a single byte (or multiple bytes) in code memory is accomplished using the following steps:

- Write the LOAD command (00H) to FMCON. The LOAD command will clear all locations in the page register and their corresponding update flags.
- Write the address within the page register to FMADRL. Since the loading the page register uses FMADRL[5:0], and since the erase-program command uses FMADRH and FMADRL[7:6], the user can write the byte location within the page register (FMADRL[5:0]) and the code memory page address (FMADRH and FMADRL[7:6]) at this time.
- Write the data to be programmed to FMDATA. This will increment FMADRL pointing to the next byte in the page register.
- Write the address of the next byte to be programmed to FMADRL, if desired. (Not needed for contiguous bytes since FMADRL is auto-incremented). All bytes to be programmed must be within the same page.
- Write the data for the next byte to be programmed to FMDATA.
- Repeat writing of FMADRL and/or FMDATA until all desired bytes have been loaded into the page register.
- Write the page address in user code memory to FMADRH and FMADRL[7:6], if not previously included when writing the page register address to FMADRL[5:0].
- Write the erase-program command (68H) to FMCON, starting the erase-program cycle.
- Read FMCON to check status. If aborted, repeat starting with the LOAD command.

Table 99. Flash Memory Control register (FMCON - address E4h) bit allocation

Bit	7	6	5	4	3	2	1	0
Symbol (R)	-	-	-	-	HVA	HVE	SV	OI
Symbol (W)	FMCMD.7	FMCMD.6	FMCMD.5	FMCMD.4	FMCMD.3	FMCMD.2	FMCMD.1	FMCMD.0
Reset	0	0	0	0	0	0	0	0

Table 100. Flash Memory Control register (FMCON - address E4h) bit description

Bit	Symbol	Access	Description
0	OI	R	Operation interrupted. Set when cycle aborted due to an interrupt or reset.
	FMCMD.0	W	Command byte bit 0.
1	SV	R	Security violation. Set when an attempt is made to program, erase, or CRC a secured sector or page.
	FMCMD.1	W	Command byte bit 1
2	HVE	R	High voltage error. Set when an error occurs in the high voltage generator.
	FMCMD.2	W	Command byte bit 2.

Table 100. Flash Memory Control register (FMCON - address E4h) bit description ...continued

Bit	Symbol	Access	Description
3	HVA	R	High voltage abort. Set if either an interrupt or a brown-out is detected during a program or erase cycle. Also set if the brown-out detector is disabled at the start of a program or erase cycle.
	FMCMD.3	W	Command byte bit 3.
4:7	-	R	reserved
4:7	FMCMD.4	W	Command byte bit 4.
4:7	FMCMD.5	W	Command byte bit 5.
4:7	FMCMD.6	W	Command byte bit 6.
4:7	FMCMD.7	W	Command byte bit 7.

An assembly language routine to load the page register and perform an erase/program operation is shown below.

```

;*****
;*   pgm user code           *
;*****
;*
;*                               *
;* Inputs:                               *
;*R3 = number of bytes to program (byte) *
;*R4 = page address MSB(byte)           *
;*R5 = page address LSB(byte)           *
;*R7 = pointer to data buffer in RAM(byte) *
;* Outputs:                               *
;*R7 = status (byte)                    *
;* C = clear on no error, set on error   *
;*****

LOAD    EQU    00H
EP      EQU    68H

PGM_USER:
        MOV    FMCON,#LOAD    ;load command, clears page register
        MOV    FMADRH,R4     ;get high address
        MOV    FMADRL,R5     ;get low address
        MOV    A,R7          ;
        MOV    R0,A          ;get pointer into R0
LOAD_PAGE:
        MOV    FMDAT,@R0     ;write data to page register
        INC    R0             ;point to next byte
        DJNZ   R3,LOAD_PAGE  ;do until count is zero
        MOV    FMCON,#EP     ;else erase & program the page

        MOV    R7,FMCON      ;copy status for return
        MOV    A,R7          ;read status
        ANL   A,#0FH         ;save only four lower bits
        JNZ   BAD            ;
        CLR   C               ;clear error flag if good
    
```

```

                RET                                ;and return
BAD:
                SETB    C                        ;set error flag
                RET                                ;and return

```

A C-language routine to load the page register and perform an erase/program operation is shown below.

```

#include <REG952.H>
unsigned char idata dbytes[64]; // data buffer
unsigned char Fm_stat; // status result
bit PGM_USER (unsigned char, unsigned char);
bit prog_fail;

void main ()
{
    prog_fail=PGM_USER(0x1F,0xC0);
}

bit PGM_USER (unsigned char page_hi, unsigned char page_lo)
{
    #define LOAD0x00 // clear page register, enable loading
    #define EP0x68 // erase & program page
    unsigned char i; // loop count

    FMCON = LOAD; //load command, clears page reg
    FMADRH = page_hi; //
    FMADRL = page_lo; //write my page address to addr regs

    for(i=0;i<64;i=i+1)
    {
        FMDATA = dbytes[i];
    }
    FMCON = EP; //erase & prog page command
    Fm_stat = FMCON; //read the result status
    if ((Fm_stat & 0x0F)!=0) prog_fail=1; else prog_fail=0;
    return(prog_fail);
}

```

17.5 In-circuit programming (ICP)

In-Circuit Programming is a method intended to allow commercial programmers to program and erase these devices without removing the microcontroller from the system. The In-Circuit Programming facility consists of a series of internal hardware resources to facilitate remote programming of the P89LPC952/954 through a two-wire serial interface. NXP has made in-circuit programming in an embedded application possible with a minimum of additional expense in components and circuit board area. The ICP function uses five pins (V_{DD} , V_{SS} , P0.5, P0.4, and \overline{RST}). Only a small connector needs to be available to interface your application to an external programmer in order to use this feature.

17.6 ISP and IAP capabilities of the P89LPC952/954

An In-Application Programming (IAP) interface is provided to allow the end user's application to erase and reprogram the user code memory. In addition, erasing and reprogramming of user-programmable bytes including UCFG1, the Boot Status Bit, and the Boot Vector is supported. As shipped from the factory, the upper 512 bytes of user code space contains a serial In-System Programming (ISP) loader allowing for the device to be programmed in circuit through the serial port. This ISP boot loader will, in turn, call low-level routines through the same common entry point that can be used by the end-user application.

17.7 Boot ROM

When the microcontroller contains a 256 byte Boot ROM that is separate from the user's Flash program memory. This Boot ROM contains routines which handle all of the low level details needed to erase and program the user Flash memory. A user program simply calls a common entry point in the Boot ROM with appropriate parameters to accomplish the desired operation. Boot ROM operations include operations such as erase sector, erase page, program page, CRC, program security bit, etc. The Boot ROM occupies the program memory space at the top of the address space from FF00 to FFFFh, thereby not conflicting with the user program memory space. This function is in addition to the IAP-Lite feature.

17.8 Power on reset code execution

The P89LPC952/954 contains two special Flash elements: the BOOT VECTOR and the Boot Status Bit. Following reset, the P89LPC952/954 examines the contents of the Boot Status Bit. If the Boot Status Bit is set to zero, power-up execution starts at location 0000H, which is the normal start address of the user's application code. When the Boot Status Bit is set to a va one, the contents of the Boot Vector is used as the high byte of the execution address and the low byte is set to 00H.

The factory default settings for this device is shown in [Table 101](#), below.

The factory pre-programmed boot loader can be erased by the user. Users who wish to use this loader should take cautions to avoid erasing the last 1 kB sector on the device. Instead, the page erase function can be used to erase the eight 64-byte pages located in this sector. A custom boot loader can be written with the Boot Vector set to the custom boot loader, if desired.

Table 101. Boot loader address and default Boot vector

Product	Flash size	End address	Signature bytes			Sector size	Page size	Pre-programmed serial loader	Default Boot vector
			Mfg id	Id 1	Id 2				
P89LPC952	8 kB × 8	1FFFh	15h	DDh	28h	1 kB × 8	64 × 8	1E00h to 1FFFh	1Fh
P89LPC954	16 kB × 8	3FFFh	15h	DDh	7Ah	1 kB × 8	64 × 8	3E00h to 3FFFh	3Fh

17.9 Hardware activation of Boot Loader

The boot loader can also be executed by forcing the device into ISP mode during a power-on sequence (see [Figure 47](#)). This is accomplished by powering up the device with the reset pin initially held low and holding the pin low for a fixed time after V_{DD} rises to its

normal operating value. This is followed by three, and only three, properly timed low-going pulses. Fewer or more than three pulses will result in the device not entering ISP mode. Timing specifications may be found in the data sheet for this device.

This has the same effect as having a non-zero status bit. This allows an application to be built that will normally execute the user code but can be manually forced into ISP operation. If the factory default setting for the Boot Vector is changed, it will no longer point to the factory pre-programmed ISP boot loader code. If this happens, the only way it is possible to change the contents of the Boot Vector is through the parallel or ICP programming method, provided that the end user application does not contain a customized loader that provides for erasing and reprogramming of the Boot Vector and Boot Status Bit. After programming the Flash, the status byte should be programmed to zero in order to allow execution of the user's application code beginning at address 0000H.

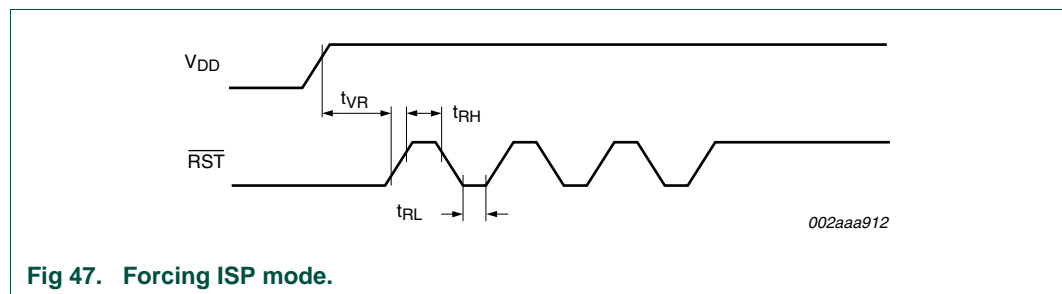


Fig 47. Forcing ISP mode.

17.10 In-system programming (ISP)

In-System Programming is performed without removing the microcontroller from the system. The In-System Programming facility consists of a series of internal hardware resources coupled with internal firmware to facilitate remote programming of the P89LPC952/954 through the serial port. This firmware is provided by NXP and embedded within each P89LPC952/954 device. The NXP In-System Programming facility has made in-circuit programming in an embedded application possible with a minimum of additional expense in components and circuit board area. The ISP function uses five pins (V_{DD} , V_{SS} , TXD0, RXD0, and \overline{RST}). Only a small connector needs to be available to interface your application to an external circuit in order to use this feature.

17.11 Using the In-system programming (ISP)

The ISP feature allows for a wide range of baud rates to be used in your application, independent of the oscillator frequency. It is also adaptable to a wide range of oscillator frequencies. This is accomplished by measuring the bit-time of a single bit in a received character. This information is then used to program the baud rate in terms of timer counts based on the oscillator frequency. The ISP feature requires that an initial character (an uppercase U) be sent to the P89LPC952/954 to establish the baud rate. The ISP firmware provides auto-echo of received characters. Once baud rate initialization has been performed, the ISP firmware will only accept Intel Hex-type records. Intel Hex records consist of ASCII characters used to represent hexadecimal values and are summarized below:

```
:NNAAAARRDD..DDCC<crLf>
```

In the Intel Hex record, the 'NN' represents the number of data bytes in the record. The P89LPC952/954 will accept up to 64 (40H) data bytes. The 'AAAA' string represents the address of the first byte in the record. If there are zero bytes in the record, this field is often set to 0000. The 'RR' string indicates the record type. A record type of '00' is a data record. A record type of '01' indicates the end-of-file mark. In this application, additional record types will be added to indicate either commands or data for the ISP facility. The maximum number of data bytes in a record is limited to 64 (decimal). ISP commands are summarized in [Table 102](#). As a record is received by the P89LPC952/954, the information in the record is stored internally and a checksum calculation is performed. The operation indicated by the record type is not performed until the entire record has been received. Should an error occur in the checksum, the P89LPC952/954 will send an 'X' out the serial port indicating a checksum error. If the checksum calculation is found to match the checksum in the record, then the command will be executed. In most cases, successful reception of the record will be indicated by transmitting a '.' character out the serial port.

Table 102. In-system Programming (ISP) hex record formats

Record type	Command/data function
00	<p>Program User Code Memory Page: nnaaaa00dd..ddcc</p> <p>Where: nn = number of bytes to program; aaaa = page address; dd..dd= data bytes; cc = checksum;</p> <p>Example:100000000102030405006070809cc</p>
01	<p>Read Version Id: 00xxxx01cc</p> <p>Where: xxxx = required field but value is a 'don't care'; cc = checksum</p> <p>Example: 00000001cc</p>
02	<p>Miscellaneous Write Functions :02xxxx02ssddcc Where: xxxx = required field but value is a 'don't care'; ss= subfunction code; dd= data; cc= checksum</p> <p>Subfunction codes:</p> <ul style="list-style-type: none"> 00= UCFG1 01= UCFG2 02= Boot Vector 03= Status Byte 04= reserved 05= reserved 06= reserved 07= reserved 08= Security Byte 0 09= Security Byte 1 0A= Security Byte 2 0B= Security Byte 3 0C= Security Byte 4 0D= Security Byte 5 0E= Security Byte 6 0F= Security Byte 7 10= Clear Configuration Protection 18= Security Byte 8 (89LPC954) 19= Security Byte 9 (89LPC954) 1A= Security Byte 10 (89LPC954) 1B= Security Byte 11 (89LPC954) 1C= Security Byte 12 (89LPC954) 1D= Security Byte 13 (89LPC954) 1E= Security Byte 14 (89LPC954) 1F= Security Byte 15 (89LPC954) <p>Example::020000020347cc</p>

Table 102. In-system Programming (ISP) hex record formats ...continued

Record type	Command/data function
03	<p>Miscellaneous Read Functions: 01xxxx03sscc</p> <p>Where xxxx = required field but value is a 'don't care'; ss= subfunction code; cc = checksum</p> <p>Subfunction codes:</p> <ul style="list-style-type: none"> 00= UCFG1 01= UCFG2 02= Boot Vector 03= Status Byte 04= reserved 05= reserved 06= reserved 07= reserved 08= Security Byte 0 09= Security Byte 1 0A= Security Byte 2 0B= Security Byte 3 0C= Security Byte 4 0D= Security Byte 5 0E= Security Byte 6 0F= Security Byte 7 10= Manufacturer Id 11= Device Id 12= Derivative Id 18= Security Byte 8 (89LPC954) 19= Security Byte 9 (89LPC954) 1A= Security Byte 10 (89LPC954) 1B= Security Byte 11 (89LPC954) 1C= Security Byte 12 (89LPC954) 1D= Security Byte 13 (89LPC954) 1E= Security Byte 14 (89LPC954) 1F= Security Byte 15 (89LPC954) <p>Example: 0100000312cc</p>
04	<p>Erase Sector/Page: 03xxxx04ssaaaacc</p> <p>Where: xxxx = required field but value is a 'don't care'; aaaa = sector/page address; ss= 01 erase sector; ss = 00 erase page; cc = checksum</p> <p>Example :03000004010000F8</p>
05	<p>Read Sector CRC: 01xxxx05aacc</p> <p>Where: xxxx = required field but value is a 'don't care'; aa= sector address high byte; cc= checksum</p> <p>Example: 0100000504F6cc</p>

Table 102. In-system Programming (ISP) hex record formats ...continued

Record type	Command/data function
06	Read Global CRC: 00xxxx06cc Where: xxxx = required field but value is a 'don't care'; cc= checksum Example: 00000006FA
07	Direct Load of Baud Rate: 02xxxx07HLLcc Where: xxxx = required field but value is a 'don't care'; HH= high byte of timer; LL = low byte of timer; cc = checksum Example: 02000007FFFFcc
08	Reset MCU: 00xxxx08cc Where: xxxx = required field but value is a 'don't care'; cc = checksum Example: 00000008F8

17.12 In-application programming (IAP)

Several In-Application Programming (IAP) calls are available for use by an application program to permit selective erasing and programming of Flash sectors, pages, security bits, configuration bytes, and device id. All calls are made through a common interface, PGM_MTP. The programming functions are selected by setting up the microcontroller's registers before making a call to PGM_MTP at FF03H. The IAP calls are shown in [Table 104](#).

17.13 IAP authorization key

IAP functions which write or erase code memory require an authorization key be set by the calling routine prior to performing the IAP function call. This authorization key is set by writing 96H to RAM location FFH. The following example was written using the Keil C compiler. The methods used to access a specific physical address in memory may vary with other compilers.

```
#include <ABSACC.H> /* enable absolute memory access */
#define key DBYTE[0xFF] /* force key to be at address 0xFF */
short (*pgm_mtp) (void) = 0xFF00; /* set pointer to IAP entry point */;
key = 0x96; /* set the authorization key */
pgm_mtp (); /* execute the IAP function call */
```

After the function call is processed by the IAP routine, the authorization key will be cleared. Thus it is necessary for the authorization key to be set prior to EACH call to PGM_MTP that requires a key. If an IAP routine that requires an authorization key is called without a valid authorization key present, the MCU will perform a reset.

17.14 Flash write enable

This device has hardware write enable protection. This protection applies to both ISP and IAP modes and applies to both the user code memory space and the user configuration bytes (UCFG1, BOOTVEC, and BOOTSTAT). This protection does not apply to ICP or parallel programmer modes. If the Activate Write Enable (AWE) bit in BOOTSTAT.7 is a logic 0, an internal Write Enable (WE) flag is forced set and writes to the flash memory and configuration bytes are enabled. If the Active Write Enable (AWE) bit is a logic 1, then the state of the internal WE flag can be controlled by the user.

The WE flag is SET by writing the Set Write Enable (08H) command to FMCON followed by a key value (96H) to FMDATA:

```
FMCON = 0x08;  
FMDATA = 0x96;
```

The WE flag is CLEARED by writing the Clear Write Enable (0BH) command to FMCON followed by a key value (96H) to FMDATA, or by a reset:

```
FMCON = 0x0B;  
FMDATA = 0x96;
```

The ISP function in this device sets the WE flag prior to calling the IAP routines. The IAP function in this device executes a Clear Write Enable command following any write operation. If the Write Enable function is active, user code which calls IAP routines will need to set the Write Enable flag prior to each IAP write function call.

17.15 Configuration byte protection

In addition to the hardware write enable protection, described above, the 'configuration bytes' may be separately write protected. These configuration bytes include UCFG1, BOOTVEC, and BOOTSTAT. This protection applies to both ISP and IAP modes and does not apply to ICP or parallel programmer modes.

If the Configuration Write Protect bit (CWP) in BOOTSTAT.6 is a logic 1, writes to the configuration bytes are disabled. If the Configuration Write Protect bit (CWP) is a logic 0, writes to the configuration bytes are enabled. The CWP bit is set by programming the BOOTSTAT register. This bit is cleared by using the Clear Configuration Protection (CCP) command in IAP or ISP.

The Clear Configuration Protection command can be disabled in ISP or IAP mode by programming the Disable Clear Configuration Protection bit (DCCP) in BOOTSTAT.7 to a logic 1. When DCCP is set, the CCP command may still be used in ICP or parallel programming modes. This bit is cleared by writing the Clear Configuration Protection (CCP) command in either ICP or parallel programming modes.

17.16 IAP error status

It is not possible to use the Flash memory as the source of program instructions while programming or erasing this same Flash memory. During an IAP erase, program, or CRC the CPU enters a program-idle state. The CPU will remain in this program-idle state until the erase, program, or CRC cycle is completed. These cycles are self timed. When the cycle is completed, code execution resumes. If an interrupt occurs during an erase, programming or CRC cycle, the erase, programming, or CRC cycle will be aborted so that the Flash memory can be used as the source of instructions to service the interrupt. An IAP error condition will be flagged by setting the carry flag and status information returned. The status information returned is shown in [Table 103](#). If the application permits interrupts during erasing, programming, or CRC cycles, the user code should check the carry flag after each erase, programming, or CRC operation to see if an error occurred. If the operation was aborted, the user's code will need to repeat the operation.

Table 103. IAP error status

Bit	Flag	Description
0	OI	Operation Interrupted. Indicates that an operation was aborted due to an interrupt occurring during a program or erase cycle.
1	SV	Security Violation. Set if program or erase operation fails due to security settings. Cycle is aborted. Memory contents are unchanged. CRC output is invalid.
2	HVE	High Voltage Error. Set if error detected in high voltage generation circuits. Cycle is aborted. Memory contents may be corrupted.
3	VE	Verify error. Set during IAP programming of user code if the contents of the programmed address does not agree with the intended programmed value. IAP uses the MOVC instruction to perform this verify. Attempts to program user code that is MOVC protected can be programmed but will generate this error after the programming cycle has been completed.
4 to 7	-	unused; reads as a logic 0

Table 104. IAP function calls

IAP function	IAP call parameters
Program User Code Page (requires 'key')	Input parameters: ACC = 00h R3= number of bytes to program R4= page address (MSB) R5= page address (LSB) R7= pointer to data buffer in RAM F1= 0h = use IDATA Return parameter(s): R7= status Carry= set on error, clear on no error
Read Version Id	Input parameters: ACC = 01h Return parameter(s): R7=IAP version id
Misc. Write (requires 'key')	Input parameters: ACC = 02h R5= data to write R7= register address 00= UCFG1 01= UCFG2 02= Boot Vector 03= Status Byte 04 to 07 = reserved 08= Security Byte 0 09= Security Byte 1 0A= Security Byte 2 0B= Security Byte 3 0C= Security Byte 4 0D= Security Byte 5 0E= Security Byte 6 0F= Security Byte 7 10 = Clear Configuration Protection 18= Security Byte 8 (89LPC954) 19= Security Byte 9 (89LPC954) 1A= Security Byte 10 (89LPC954) 1B= Security Byte 11 (89LPC954) 1C= Security Byte 12 (89LPC954) 1D= Security Byte 13 (89LPC954) 1E= Security Byte 14 (89LPC954) 1F= Security Byte 15 (89LPC954) Return parameter(s): R7= status Carry= set on error, clear on no error

Table 104. IAP function calls ...continued

IAP function	IAP call parameters
Misc. Read	Input parameters: ACC = 03h R7= register address 00= UCFG1 01= UCFG2 02= Boot Vector 03= Status Byte 04 to 07 = reserved 08= Security Byte 0 09= Security Byte 1 0A= Security Byte 2 0B= Security Byte 3 0C= Security Byte 4 0D= Security Byte 5 0E= Security Byte 6 0F= Security Byte 7 10= Manufacturer Id 11= Device Id 12= Derivative Id 18= Security Byte 8 (89LPC954) 19= Security Byte 9 (89LPC954) 1A= Security Byte 10 (89LPC954) 1B= Security Byte 11 (89LPC954) 1C= Security Byte 12 (89LPC954) 1D= Security Byte 13 (89LPC954) 1E= Security Byte 14 (89LPC954) 1F= Security Byte 15 (89LPC954) Return parameter(s): R7= register data if no error, else error status Carry= set on error, clear on no error
Erase Sector/Page (requires 'key')	Input parameters: ACC = 04h R4= address (MSB) R5= address (LSB) R7= 00H (erase page) or 01H (erase sector) Return parameter(s): R7= data Carry= set on error, clear on no error

Table 104. IAP function calls ...continued

IAP function	IAP call parameters
Read Sector CRC	Input parameters: ACC = 05h R7= sector address Return parameter(s): R4= CRC bits 31:24 R5= CRC bits 23:16 R6= CRC bits 15:8 R7= CRC bits 7:0 (if no error) R7= error status (if error) Carry= set on error, clear on no error
Read Global CRC	Input parameters: ACC = 06h Return parameter(s): R4= CRC bits 31:24 R5= CRC bits 23:16 R6= CRC bits 15:8 R7= CRC bits 7:0 (if no error) R7= error status (if error) Carry= set on error, clear on no error
Read User Code	Input parameters: ACC = 07h R4= address (MSB) R5= address (LSB) Return parameter(s): R7= data

17.17 User configuration bytes

A number of user-configurable features of the P89LPC952/954 must be defined at power-up and therefore cannot be set by the program after start of execution. These features are configured through the use of an Flash byte UCFG1 shown in [Table 106](#)

Table 105. Flash User Configuration Byte 1 (UCFG1) bit allocation

Bit	7	6	5	4	3	2	1	0
Symbol	WDTE	RPE	BOE	WDSE	CLKDBL	FOSC2	FOSC1	FOSC0
Unprogrammed value	0	1	0	0	0	0	1	1

Table 106. Flash User Configuration Byte 1 (UCFG1) bit description

Bit	Symbol	Description
0	FOSC0	CPU oscillator type select. See Section 2 “Clocks” for additional information. Combinations other than those shown in Table 107 are reserved for future use should not be used.
1	FOSC1	
2	FOSC2	
3	CLKDBL	Clock doubler. When set, doubles the output frequency of the internal RC oscillator.

Table 106. Flash User Configuration Byte 1 (UCFG1) bit description ...continued

Bit	Symbol	Description
4	WDSE	Watchdog Safety Enable bit. Refer to Table 90 "Watchdog timer configuration" for details.
5	BOE	Brownout Detect Enable (see Section 6.1 "Brownout detection")
6	RPE	Reset pin enable. In combination with RPE1 (UCFG2.0) , determines the mode of the reset pin, see Section 7 "Reset" on page 46 . NOTE: During a power-up sequence, the RPE and RPE1 selection is overridden and this pin will always functions as a reset input. After power-up the pin will function as defined by the RPE and RPE1 bits. Only a power-up reset will temporarily override the selection defined by RPE and RPE1 bits. Other sources of reset will not override the RPE and RPE1 bits. The following reset pin modes are selected by and RPE1 (UCFG2.00 and RPE (UCFG1.6) bits: 00 — Normal input pin 01 — Reset input pin 10 — Bidirectional open drain reset 11 — Reset output only
7	WDTE	Watchdog timer reset enable. When set = 1, enables the watchdog timer reset. When cleared = 0, disables the watchdog timer reset. The timer may still be used to generate an interrupt. Refer to Table 90 "Watchdog timer configuration" for details.

Table 107. Oscillator type selection

FOSC[2:0]	Oscillator configuration
111	External clock input on XTAL1.
100	Watchdog Oscillator, 400 kHz (+20/ -30 % tolerance).
011	Internal RC oscillator, 7.373 MHz \pm 2.5 %.
010	Low frequency crystal, 20 kHz to 100 kHz.
001	Medium frequency crystal or resonator, 100 kHz to 4 MHz.
000	High frequency crystal or resonator, 4 MHz to 18 MHz.

Table 108. Flash User Configuration Byte 2 (UCFG2) bit allocation

Bit	7	6	5	4	3	2	1	0
Symbol	-	-	DBG	-	-	-	-	RPE1
Unprogrammed value	x	x	0	x	x	x	x	x

Table 109. Flash User Configuration Byte 2 (UCFG2) bit description

Bit	Symbol	Description
0	RPE1	Reset pin enable 1. In combination with RPE (UCFG1.6) , determines the mode of the reset pin, see Section 7 "Reset" on page 46 . NOTE: During a power-up sequence, the RPE and RPE1 selection is overridden and this pin will always functions as a reset input. After power-up the pin will function as defined by the RPE and RPE1 bits. Only a power-up reset will temporarily override the selection defined by RPE and RPE1 bits. Other sources of reset will not override the RPE and RPE1 bits.
1:4	-	Not used.
5	DBG	When set = 1, enables the use of the debugger on the TCLK, TDI, and TRIG pins.
6:7	-	Not used.

17.18 User security bytes

This device has three security bits associated with each of its eight/ sixteen sectors, as shown in [Table 110](#)

Table 110. Sector Security Bytes (SECx) bit allocation

Bit	7	6	5	4	3	2	1	0
Symbol	-	-	-	-	-	EDISx	SPEDISx	MOVCDISx
Unprogrammed value	0	0	0	0	0	0	0	0

Table 111. Sector Security Bytes (SECx) bit description

Bit	Symbol	Description
0	MOVCDISx	MOVC Disable. Disables the MOVC command for sector x. Any MOVC that attempts to read a byte in a MOVC protected sector will return invalid data. This bit can only be erased when sector x is erased.
1	SPEDISx	Sector Program Erase Disable x. Disables program or erase of all or part of sector x. This bit and sector x are erased by either a sector erase command (ISP, IAP, commercial programmer) or a 'global' erase command (commercial programmer).
2	EDISx	Erase Disable ISP. Disables the ability to perform an erase of sector x in ISP or IAP mode. When programmed, this bit and sector x can only be erased by a 'global' erase command using a commercial programmer. This bit and sector x CANNOT be erased in ISP or IAP modes.
3:7	-	reserved

Table 112. Effects of Security Bits

EDISx	SPEDISx	MOVCDISx	Effects on Programming
0	0	0	None.
0	0	1	Security violation flag set for sector CRC calculation for the specific sector. Security violation flag set for global CRC calculation if any MOVCDISx bit is set. Cycle aborted. Memory contents unchanged. CRC invalid. Program/erase commands will not result in a security violation.
0	1	x	Security violation flag set for program commands or an erase page command. Cycle aborted. Memory contents unchanged. Sector erase and global erase are allowed.
1	x	x	Security violation flag set for program commands or an erase page command. Cycle aborted. Memory contents unchanged. Global erase is allowed.

17.19 Boot Vector register

Table 113. Boot Vector (BOOTVEC) bit allocation

Bit	7	6	5	4	3	2	1	0
Symbol	-	-	-	BOOTV4	BOOTV3	BOOTV2	BOOTV1	BOOTV0
Factory default value	0	0	0	1	1	1	1	1

Table 114. Boot Vector (BOOTVEC) bit description

Bit	Symbol	Description
0:4	BOOTV[0:4]	Boot vector. If the Boot Vector is selected as the reset address, the P89LPC952/954 will start execution at an address comprised of 00h in the lower eight bits and this BOOTVEC as the upper eight bits after a reset.
5:7	-	reserved

17.20 Boot status register

Table 115. Boot Status (BOOTSTAT) bit allocation

Bit	7	6	5	4	3	2	1	0
Symbol	DCCP	CWP	AWP	-	-	-	-	BSB
Factory default value	0	0	0	0	0	0	0	1

Table 116. Boot Status (BOOTSTAT) bit description

Bit	Symbol	Description
0	BSB	Boot Status Bit. If programmed to logic 1, the P89LPC952/954 will always start execution at an address comprised of 00H in the lower eight bits and BOOTVEC as the upper bits after a reset. (See Section 7.1 "Reset vector" on page 48).
1:4	-	reserved
5	AWP	Activate Write Protection bit. When this bit is cleared, the internal Write Enable flag is forced to the set state, thus writes to the flash memory are always enabled. When this bit is set, the Write Enable internal flag can be set or cleared using the Set Write Enable (SWE) or Clear Write Enable (CWE) commands.
6	CWP	Configuration Write Protect bit. Protects inadvertent writes to the user programmable configuration bytes (UCFG1, BOOTVEC, and BOOTSTAT). If programmed to a logic 1, the writes to these registers are disabled. If programmed to a logic 0, writes to these registers are enabled. This bit is set by programming the BOOTSTAT register. This bit is cleared by writing the Clear Configuration Protection (CCP) command to FMCON followed by writing 96H to FMDATA.
7	DCCP	Disable Clear Configuration Protection command. If Programmed to '1', the Clear Configuration Protection (CCP) command is disabled during ISP or IAP modes. This command can still be used in ICP or parallel programmer modes. If programmed to '0', the CCP command can be used in all programming modes. This bit is set by programming the BOOTSTAT register. This bit is cleared by writing the Clear Configuration Protection (CCP) command in either ICP or parallel programmer modes.

18. Instruction set

Table 117. Instruction set summary

Mnemonic	Description	Bytes	Cycles	Hex code
ARITHMETIC				
ADD A,Rn	Add register to A	1	1	28 to 2F
ADD A,dir	Add direct byte to A	2	1	25
ADD A,@Ri	Add indirect memory to A	1	1	26 to 27
ADD A,#data	Add immediate to A	2	1	24
ADDC A,Rn	Add register to A with carry	1	1	38 to 3F
ADDC A,dir	Add direct byte to A with carry	2	1	35
ADDC A,@Ri	Add indirect memory to A with carry	1	1	36 to 37
ADDC A,#data	Add immediate to A with carry	2	1	34
SUBB A,Rn	Subtract register from A with borrow	1	1	98 to 9F
SUBB A,dir	Subtract direct byte from A with borrow	2	1	95
SUBB A,@Ri	Subtract indirect memory from A with borrow	1	1	96 to 97
SUBB A,#data	Subtract immediate from A with borrow	2	1	94
INC A	Increment A	1	1	04
INC Rn	Increment register	1	1	08 to 0F
INC dir	Increment direct byte	2	1	05
INC @Ri	Increment indirect memory	1	1	06 to 07
DEC A	Decrement A	1	1	14
DEC Rn	Decrement register	1	1	18 to 1F
DEC dir	Decrement direct byte	2	1	15
DEC @Ri	Decrement indirect memory	1	1	16 to 17
INC DPTR	Increment data pointer	1	2	A3
MUL AB	Multiply A by B	1	4	A4
DIV AB	Divide A by B	1	4	84
DA A	Decimal Adjust A	1	1	D4
LOGICAL				
ANL A,Rn	AND register to A	1	1	58 to 5F
ANL A,dir	AND direct byte to A	2	1	55
ANL A,@Ri	AND indirect memory to A	1	1	56 to 57
ANL A,#data	AND immediate to A	2	1	54
ANL dir,A	AND A to direct byte	2	1	52
ANL dir,#data	AND immediate to direct byte	3	2	53
ORL A,Rn	OR register to A	1	1	48 to 4F
ORL A,dir	OR direct byte to A	2	1	45
ORL A,@Ri	OR indirect memory to A	1	1	46 to 47
ORL A,#data	OR immediate to A	2	1	44
ORL dir,A	OR A to direct byte	2	1	42
ORL dir,#data	OR immediate to direct byte	3	2	43

Table 117. Instruction set summary ...continued

Mnemonic	Description	Bytes	Cycles	Hex code
XRL A,Rn	Exclusive-OR register to A	1	1	68 to 6F
XRL A,dir	Exclusive-OR direct byte to A	2	1	65
XRL A, @Ri	Exclusive-OR indirect memory to A	1	1	66 to 67
XRL A,#data	Exclusive-OR immediate to A	2	1	64
XRL dir,A	Exclusive-OR A to direct byte	2	1	62
XRL dir,#data	Exclusive-OR immediate to direct byte	3	2	63
CLR A	Clear A	1	1	E4
CPL A	Complement A	1	1	F4
SWAP A	Swap Nibbles of A	1	1	C4
RL A	Rotate A left	1	1	23
RLC A	Rotate A left through carry	1	1	33
Rotate A right	RR A	1	1	03
RRC A	Rotate A right through carry	1	1	13
DATA TRANSFER				
MOV A,Rn	Move register to A	1	1	E8 to EF
MOV A,dir	Move direct byte to A	2	1	E5
Move indirect memory to A	MOV A,@Ri	1	1	E6 to E7
MOV A,#data	Move immediate to A	2	1	74
MOV Rn,A	Move A to register	1	1	F8 to FF
MOV Rn,dir	Move direct byte to register	2	2	A8 to AF
MOV Rn,#data	Move immediate to register	2	1	78 to 7F
MOV dir,A	Move A to direct byte	2	1	F5
MOV dir,Rn	Move register to direct byte	2	2	88 to 8F
MOV dir,dir	Move direct byte to direct byte	3	2	85
MOV dir,@Ri	Move indirect memory to direct byte	2	2	86 to 87
MOV dir,#data	Move immediate to direct byte	3	2	75
MOV @Ri,A	Move A to indirect memory	1	1	F6 to F7
MOV @Ri,dir	Move direct byte to indirect memory	2	2	A6 to A7
MOV @Ri,#data	Move immediate to indirect memory	2	1	76 to 77
MOV DPTR,#data	Move immediate to data pointer	3	2	90
MOVC A,@A+DPTR	Move code byte relative DPTR to A	1	2	93
MOVC A,@A+PC	Move code byte relative PC to A	1	2	94
MOVX A,@Ri	Move external data(A8) to A	1	2	E2 to E3
MOVX A,@DPTR	Move external data(A16) to A	1	2	E0
MOVX @Ri,A	Move A to external data(A8)	1	2	F2 to F3
MOVX @DPTR,A	Move A to external data(A16)	1	2	F0
PUSH dir	Push direct byte onto stack	2	2	C0
POP dir	Pop direct byte from stack	2	2	D0
XCH A,Rn	Exchange A and register	1	1	C8 to CF
XCH A,dir	Exchange A and direct byte	2	1	C5
XCH A,@Ri	Exchange A and indirect memory	1	1	C6 to C7

Table 117. Instruction set summary ...continued

Mnemonic	Description	Bytes	Cycles	Hex code
XCHD A,@Ri	Exchange A and indirect memory nibble	1	1	D6 to D7
BOOLEAN				
Mnemonic	Description	Bytes	Cycles	Hex code
CLR C	Clear carry	1	1	C3
CLR bit	Clear direct bit	2	1	C2
SETB C	Set carry	1	1	D3
SETB bit	Set direct bit	2	1	D2
CPL C	Complement carry	1	1	B3
CPL bit	Complement direct bit	2	1	B2
ANL C,bit	AND direct bit to carry	2	2	82
ANL C,/bit	AND direct bit inverse to carry	2	2	B0
ORL C,bit	OR direct bit to carry	2	2	72
ORL C,/bit	OR direct bit inverse to carry	2	2	A0
MOV C,bit	Move direct bit to carry	2	1	A2
MOV bit,C	Move carry to direct bit	2	2	92
BRANCHING				
ACALL addr 11	Absolute jump to subroutine	2	2	116F1
LCALL addr 16	Long jump to subroutine	3	2	12
RET	Return from subroutine	1	2	22
RETI	Return from interrupt	1	2	32
AJMP addr 11	Absolute jump unconditional	2	2	016E1
LJMP addr 16	Long jump unconditional	3	2	02
SJMP rel	Short jump (relative address)	2	2	80
JC rel	Jump on carry = 1	2	2	40
JNC rel	Jump on carry = 0	2	2	50
JB bit,rel	Jump on direct bit = 1	3	2	20
JNB bit,rel	Jump on direct bit = 0	3	2	30
JBC bit,rel	Jump on direct bit = 1 and clear	3	2	10
JMP @A+DPTR	Jump indirect relative DPTR	1	2	73
JZ rel	Jump on accumulator = 0	2	2	60
JNZ rel	Jump on accumulator ≠ 0	2	2	70
CJNE A,dir,rel	Compare A, direct jne relative	3	2	B5
CJNE A,#d,rel	Compare A, immediate jne relative	3	2	B4
CJNE Rn,#d,rel	Compare register, immediate jne relative	3	2	B8 to BF
CJNE @Ri,#d,rel	Compare indirect, immediate jne relative	3	2	B6 to B7
DJNZ Rn,rel	Decrement register, jnz relative	2	2	D8 to DF
DJNZ dir,rel	Decrement direct byte, jnz relative	3	2	D5
MISCELLANEOUS				
NOP	No operation	1	1	00

19. Legal information

19.1 Definitions

Draft — The document is a draft version only. The content is still under internal review and subject to formal approval, which may result in modifications or additions. NXP Semiconductors does not give any representations or warranties as to the accuracy or completeness of information included herein and shall have no liability for the consequences of use of such information.

19.2 Disclaimers

General — Information in this document is believed to be accurate and reliable. However, NXP Semiconductors does not give any representations or warranties, expressed or implied, as to the accuracy or completeness of such information and shall have no liability for the consequences of use of such information.

Right to make changes — NXP Semiconductors reserves the right to make changes to information published in this document, including without limitation specifications and product descriptions, at any time and without notice. This document supersedes and replaces all information supplied prior to the publication hereof.

Suitability for use — NXP Semiconductors products are not designed, authorized or warranted to be suitable for use in medical, military, aircraft, space or life support equipment, nor in applications where failure or malfunction of an NXP Semiconductors product can reasonably be expected to result in personal injury, death or severe property or environmental damage. NXP Semiconductors accepts no liability for inclusion and/or use of NXP Semiconductors products in such equipment or applications and therefore such inclusion and/or use is at the customer's own risk.

Applications — Applications that are described herein for any of these products are for illustrative purposes only. NXP Semiconductors makes no representation or warranty that such applications will be suitable for the specified use without further testing or modification.

19.3 Trademarks

Notice: All referenced brands, product names, service names and trademarks are the property of their respective owners.

I²C-bus — logo is a trademark of NXP B.V.

20. Tables

Table 1. Pin description	5	Table 35. Timer/Counter Mode register (TMOD - address 89h) bit allocation	48
Table 2. Special function registers	12	Table 36. Timer/Counter Mode register (TMOD - address 89h) bit description	48
Table 3. Extended special function registers	18	Table 37. Timer/Counter Auxiliary Mode register (TAMOD - address 8Fh) bit allocation	49
Table 4. Data RAM arrangement	20	Table 38. Timer/Counter Auxiliary Mode register (TAMOD - address 8Fh) bit description	49
Table 5. On-chip RC oscillator trim register (TRIM - address 96h) bit allocation	23	Table 39. Timer/Counter Control register (TCON) - address 88h) bit allocation	51
Table 6. On-chip RC oscillator trim register (TRIM - address 96h) bit description	24	Table 40. Timer/Counter Control register (TCON - address 88h) bit description	51
Table 7. Input channels and result registers for fixed channel single, auto scan single, and auto scan continuous conversion modes	27	Table 41. Real-time Clock/System Timer clock sources .	54
Table 8. Result registers and conversion results for fixed channel, continuous conversion mode	28	Table 42. Real-time Clock Control register (RTCCON - address D1h) bit allocation	55
Table 9. Result registers and conversion results for dual channel, continuous conversion mode	29	Table 43. Real-time Clock Control register (RTCCON - address D1h) bit description	56
Table 10. Conversion mode bits	29	Table 44. UART SFR addresses	57
Table 11. A/D Control register 0 (ADCON0 - address 97h) bit allocation	31	Table 45. UART baud rate generation	58
Table 12. A/D Control register 0 (ADCON0 - address 97h) bit description	31	Table 46. Baud Rate Generator Control register (BRGCON_0 - address BDh) bit allocation	58
Table 13. A/D Mode register A (ADMODA - address 0C0h) bit allocation	32	Table 47. Baud Rate Generator Control register (BRGCON - address BDh) bit description	58
Table 14. A/D Mode register A (ADMODA - address 0C0h) bit description	32	Table 48. Baud Rate Generator Control register (BRGCON_1 - address FFB3h) bit allocation .	58
Table 15. A/D Mode register B (ADMODB - address A1h) bit allocation	32	Table 49. Baud Rate Generator Control register (BRGCON_1 - address FFB3h) bit description	58
Table 16. A/D Mode register B (ADMODB - address A1h) bit description	32	Table 50. Serial Port 0 Control register (S0CON - address 98h) bit allocation	59
Table 17. A/D Input select (ADINS - address A3h) bit allocation	33	Table 51. Serial Port 0 Control register (S0CON - address 98h) bit description	59
Table 18. A/D Input select (ADINS - address A3h) bit description	33	Table 52. Serial Port 1 Control register (S1CON - address B5h) bit allocation	60
Table 19. Boundary status register 0 (BNDSTA0 - address FFEDh) bit allocation	33	Table 53. Serial Port 1 Control register (S1CON - address B5h) bit description	60
Table 20. Boundary status register 0 (BNDSTA0 - address FFEDh) bit description	33	Table 54. Serial Port modes	61
Table 21. Interrupt priority level	34	Table 55. Serial Port 0 Status register (S0STAT - address BAh) bit allocation	61
Table 22. Summary of interrupts	35	Table 56. Serial Port 0 Status register (S0STAT - address BAh) bit description	61
Table 23. Number of I/O pins available	36	Table 57. Serial Port 1 Status register (S1STAT - address D4h) bit allocation	62
Table 24. Port output configuration settings	37	Table 58. Serial Port 1 Status register (S1STAT - address D4h) bit description	62
Table 25. Port output configuration	41	Table 59. FE_n and RI_n when SM2_n = 1 in Modes 2 and 3	65
Table 26. Brownout options ^[1]	43	Table 60. Slave 0/1 examples	68
Table 27. Power reduction modes	44	Table 61. Slave 0/1/2 examples	68
Table 28. Power Control register (PCON - address 87h) bit allocation	45	Table 62. I ² C data register (I2DAT - address DAh) bit allocation	70
Table 29. Power Control register (PCON - address 87h) bit description	45	Table 63. I ² C slave address register (I2ADR - address DBh) bit allocation	70
Table 30. Power Control register A (PCONA - address B5h) bit allocation	45	Table 64. I ² C slave address register (I2ADR - address DBh) bit description	70
Table 31. Power Control register A (PCONA - address B5h) bit description	45	Table 65. I ² C Control register (I2CON - address D8h) bit allocation	71
Table 32. Reset pin modes.	46		
Table 33. Reset Sources register (RSTSRC - address DFh) bit allocation	47		
Table 34. Reset Sources register (RSTSRC - address DFh) bit description	47		

Table 66. I ² C Control register (I2CON - address D8h) bit description	71	Table 101. Boot loader address and default Boot vector	112
Table 67. I ² C Status register (I2STAT - address D9h) bit allocation	72	Table 102. In-system Programming (ISP) hex record formats	115
Table 68. I ² C Status register (I2STAT - address D9h) bit description	72	Table 103. IAP error status	119
Table 69. I ² C clock rates selection	73	Table 104. IAP function calls	120
Table 70. I ² C Control register (I2CON - address D8h) . .	73	Table 105. Flash User Configuration Byte 1 (UCFG1) bit allocation	122
Table 71. I ² C Control register (I2CON - address D8h) . .	75	Table 106. Flash User Configuration Byte 1 (UCFG1) bit description	122
Table 72. Master Transmitter mode	78	Table 107. Oscillator type selection	123
Table 73. Master Receiver mode	79	Table 108. Flash User Configuration Byte 2 (UCFG2) bit allocation	123
Table 74. Slave Receiver mode	80	Table 109. Flash User Configuration Byte 2 (UCFG2) bit description	123
Table 75. Slave Transmitter mode	82	Table 110. Sector Security Bytes (SECx) bit allocation . .	124
Table 76. SPI Control register (SPCTL - address E2h) bit allocation	84	Table 111. Sector Security Bytes (SECx) bit description .	124
Table 77. SPI Control register (SPCTL - address E2h) bit description	85	Table 112. Effects of Security Bits	124
Table 78. SPI Status register (SPSTAT - address E1h) bit allocation	85	Table 113. Boot Vector (BOOTVEC) bit allocation	124
Table 79. SPI Status register (SPSTAT - address E1h) bit description	85	Table 114. Boot Vector (BOOTVEC) bit description . . .	124
Table 80. SPI Data register (SPDAT - address E3h) bit allocation	86	Table 115. Boot Status (BOOTSTAT) bit allocation . . .	125
Table 81. SPI master and slave selection	87	Table 116. Boot Status (BOOTSTAT) bit description . . .	125
Table 82. Comparator Control register (CMP1 - address ACh, CMP2 - address ADh) bit allocation	94	Table 117. Instruction set summary	126
Table 83. Comparator Control register (CMP1 - address ACh, CMP2 - address ADh) bit description	94		
Table 84. Keypad Pattern register (KBPATN - address 93h) bit allocation	97		
Table 85. Keypad Pattern register (KBPATN - address 93h) bit description	97		
Table 86. Keypad Control register (KBCON - address 94h) bit allocation	97		
Table 87. Keypad Control register (KBCON - address 94h) bit description	97		
Table 88. Keypad Interrupt Mask register (KBMASK - address 86h) bit allocation	98		
Table 89. Keypad Interrupt Mask register (KBMASK - address 86h) bit description	98		
Table 90. Watchdog timer configuration	99		
Table 91. Watchdog Timer Control register (WDCON - address A7h) bit allocation	101		
Table 92. Watchdog Timer Control register (WDCON - address A7h) bit description	101		
Table 93. Watchdog timeout vales	101		
Table 94. AUXR1 register (address A2h) bit allocation .	104		
Table 95. AUXR1 register (address A2h) bit description . . .	104		
Table 96. FREEZE register (address FFD0h) bit allocation	106		
Table 97. FREEZE register (address FFD0h) bit description	106		
Table 98. Debugger interface connections.	106		
Table 99. Flash Memory Control register (FMCON - address E4h) bit allocation	109		
Table 100. Flash Memory Control register (FMCON - address E4h) bit description	109		

21. Figures

Fig 1. PLCC44 pin configuration	3	Fig 47. Forcing ISP mode.	113
Fig 2. LQFP44 pin configuration	4		
Fig 3. LQFP48 pin configuration	5		
Fig 4. Block diagram	10		
Fig 5. P89LPC952 memory map - P89LPC954 is similar	20		
Fig 6. Using the crystal oscillator.	25		
Fig 7. Block diagram of oscillator control.	25		
Fig 8. ADC block diagram.	27		
Fig 9. Interrupt sources, interrupt enables, and power-down wake-up sources.	36		
Fig 10. Quasi-bidirectional output.	38		
Fig 11. Open drain output.	39		
Fig 12. Input only.	39		
Fig 13. Push-pull output.	40		
Fig 14. Block diagram of reset.	47		
Fig 15. Timer/counter 0 or 1 in Mode 0 (13-bit counter).	51		
Fig 16. Timer/counter 0 or 1 in mode 1 (16-bit counter).	51		
Fig 17. Timer/counter 0 or 1 in Mode 2 (8-bit auto-reload).	52		
Fig 18. Timer/counter 0 Mode 3 (two 8-bit counters).	52		
Fig 19. Timer/counter 0 or 1 in mode 6 (PWM auto-reload).	52		
Fig 20. Real-time clock/system timer block diagram.	53		
Fig 21. Baud rate generation for UARTs (Modes 1, 3).	59		
Fig 22. Serial Port Mode 0 (double buffering must be disabled).	63		
Fig 23. Serial Port Mode 1 (only single transmit buffering case is shown).	64		
Fig 24. Serial Port Mode 2 or 3 (only single transmit buffering case is shown).	64		
Fig 25. Transmission with and without double buffering.	66		
Fig 26. I ² C-bus configuration.	70		
Fig 27. Format in the Master Transmitter mode.	74		
Fig 28. Format of Master Receiver mode.	75		
Fig 29. A Master Receiver switches to Master Transmitter after sending Repeated Start.	75		
Fig 30. Format of Slave Receiver mode.	76		
Fig 31. Format of Slave Transmitter mode.	76		
Fig 32. I ² C serial interface block diagram.	77		
Fig 33. SPI block diagram.	84		
Fig 34. SPI single master single slave configuration.	86		
Fig 35. SPI dual device configuration, where either can be a master or a slave.	86		
Fig 36. SPI single master multiple slaves configuration.	87		
Fig 37. SPI slave transfer format with CPHA = 0.	90		
Fig 38. SPI slave transfer format with CPHA = 1.	91		
Fig 39. SPI master transfer format with CPHA = 0.	92		
Fig 40. SPI master transfer format with CPHA = 1.	93		
Fig 41. Comparator input and output connections.	94		
Fig 42. Comparator configurations.	96		
Fig 43. Watchdog Prescaler.	99		
Fig 44. Watchdog Timer in Watchdog Mode (WDTE = 1).	103		
Fig 45. Watchdog Timer in Timer Mode (WDTE = 0).	103		
Fig 46. Debugger connections - top view	106		

22. Contents

1	Introduction	3	6.3	Power reduction modes	43
1.1	Pin configuration	3	7	Reset	46
1.2	Pin description	5	7.1	Reset vector	48
1.3	Special function registers	11	8	Timers 0 and 1	48
1.4	Memory organization	20	8.1	Mode 0	49
2	Clocks	22	8.2	Mode 1	50
2.1	Enhanced CPU	22	8.3	Mode 2	50
2.2	Clock definitions	22	8.4	Mode 3	50
2.2.1	Oscillator Clock (OSCCLK)	22	8.5	Mode 6	50
2.2.2	Low speed oscillator option	22	8.6	Timer overflow toggle output	52
2.2.3	Medium speed oscillator option	22	9	Real-time clock system timer	53
2.2.4	High speed oscillator option	22	9.1	Real-time clock source	54
2.3	Clock output	23	9.2	Changing RTCS1/RTCS0	54
2.4	On-chip RC oscillator option	23	9.3	Real-time clock interrupt/wake-up	54
2.5	Watchdog oscillator option	24	9.4	Reset sources affecting the Real-time clock ..	54
2.6	External clock input option	24	10	UARTs	56
2.7	Oscillator Clock (OSCCLK) wake-up delay ..	25	10.1	Mode 0	56
2.8	CPU Clock (CCLK) modification: DIVM register ..	26	10.2	Mode 1	56
2.9	Low power select	26	10.3	Mode 2	56
3	A/D converter	26	10.4	Mode 3	57
3.1	General description	26	10.5	SFR space	57
3.2	A/D features	26	10.6	Baud Rate generator and selection	57
3.2.1	A/D operating modes	27	10.7	Updating the BRGR1 and BRGR0 SFRs	58
3.2.1.1	Fixed channel, single conversion mode	27	10.8	Framing error	59
3.2.1.2	Fixed channel, continuous conversion mode ..	27	10.9	Break detect	59
3.2.1.3	Auto scan, single conversion mode	28	10.10	More about UART Mode 0	62
3.2.1.4	Auto scan, continuous conversion mode	28	10.11	More about UART Mode 1	63
3.2.1.5	Dual channel, continuous conversion mode ..	28	10.12	More about UART Modes 2 and 3	64
3.2.1.6	Single step mode	29	10.13	Framing error and RI_n in Modes 2 and 3 with SM2_n = 1	64
3.2.2	Conversion mode selection bits	29	10.14	Break detect	65
3.2.3	Conversion start modes	30	10.15	Double buffering	65
3.2.3.1	Timer triggered start	30	10.16	Double buffering in different modes	65
3.2.3.2	Start immediately	30	10.17	Transmit interrupts with double buffering enabled (Modes 1, 2, and 3)	65
3.2.3.3	Edge triggered	30	10.18	The 9th bit (bit 8) in double buffering (Modes 1, 2, and 3)	66
3.2.4	Stopping and restarting conversions	30	10.19	Multiprocessor communications	67
3.2.5	Boundary limits interrupt	30	10.20	Automatic address recognition	68
3.2.6	Clock divider	30	11	I²C interface	69
3.2.7	I/O pins used with ADC functions	31	11.1	I ² C data register	70
3.2.8	Power-down and Idle mode	31	11.2	I ² C slave address register	70
4	Interrupts	33	11.3	I ² C control register	71
4.1	Interrupt priority structure	34	11.4	I ² C Status register	72
4.2	External Interrupt pin glitch suppression	35	11.5	I ² C SCL duty cycle registers I2SCLH and I2SCLL ..	72
5	I/O ports	36	11.6	I ² C operation modes	73
5.1	Port configurations	37	11.6.1	Master Transmitter mode	73
5.2	Quasi-bidirectional output configuration	37	11.6.2	Master Receiver mode	74
5.3	Open drain output configuration	38	11.6.3	Slave Receiver mode	75
5.4	Input-only configuration	39	11.6.4	Slave Transmitter mode	76
5.5	Push-pull output configuration	39	12	Serial Peripheral Interface (SPI)	83
5.6	Port 0 and Analog Comparator functions	40	12.1	Configuring the SPI	87
5.7	Additional port features	40	12.2	Additional considerations for a slave	88
6	Power monitoring functions	42			
6.1	Brownout detection	42			
6.2	Power-on detection	43			

12.3	Additional considerations for a master	88	19	Legal information	129
12.4	Mode change on \overline{SS}	88	19.1	Definitions	129
12.5	Write collision	89	19.2	Disclaimers	129
12.6	Data mode	89	19.3	Trademarks	129
12.7	SPI clock prescaler select	93	20	Tables	130
13	Analog comparators	93	21	Figures	132
13.1	Comparator configuration	93	22	Contents	133
13.2	Internal reference voltage	95			
13.3	Comparator input pins	95			
13.4	Comparator interrupt	95			
13.5	Comparators and power reduction modes	95			
13.6	Comparators configuration example	96			
14	Keypad interrupt (KBI)	97			
15	Watchdog timer (WDT)	98			
15.1	Watchdog function	98			
15.2	Feed sequence	99			
15.3	Watchdog clock source	102			
15.4	Watchdog Timer in Timer mode	103			
15.5	Power-down operation	104			
15.6	Periodic wake-up from power-down without an external oscillator	104			
16	Additional features	104			
16.1	Software reset	105			
16.2	Dual Data Pointers	105			
16.3	Debugger interface	105			
16.3.1	Debugger connections	106			
17	Flash memory	107			
17.1	General description	107			
17.2	Features	107			
17.3	Flash programming and erase	107			
17.4	Using Flash as data storage: IAP-Lite	108			
17.5	In-circuit programming (ICP)	111			
17.6	ISP and IAP capabilities of the P89LPC952/954	112			
17.7	Boot ROM	112			
17.8	Power on reset code execution	112			
17.9	Hardware activation of Boot Loader	112			
17.10	In-system programming (ISP)	113			
17.11	Using the In-system programming (ISP)	113			
17.12	In-application programming (IAP)	117			
17.13	IAP authorization key	117			
17.14	Flash write enable	117			
17.15	Configuration byte protection	118			
17.16	IAP error status	118			
17.17	User configuration bytes	122			
17.18	User security bytes	123			
17.19	Boot Vector register	124			
17.20	Boot status register	125			
18	Instruction set	126			

Please be aware that important notices concerning this document and the product(s) described herein, have been included in section 'Legal information'.



© NXP B.V. 2008.

All rights reserved.

For more information, please visit: <http://www.nxp.com>

For sales office addresses, please send an email to: salesaddresses@nxp.com

Date of release: 28 April 2008

Document identifier: UM10147_2